



Neltron Industrial Co., Ltd.



Neltron Connectors System

<http://www.neltron.com.tw>

Board To Board Series
M Series Circular Connector
USB Type-C Series
USB Series
USB Cable & Adapter
Insert Mold Technology
Pin Header & PCB Socket Series
Press-Fit Series
Box & Shrouded Header Series

IDC Series
Wire To Board Series
Wire To Wire Series
Multi-Color Wire Harness
FPC / FFC Connector Series
Machine Pin Series
Pogo Pin Series
RF Connector
Cable Assembly

NO.11205

CATALOG

Board To Board Series

0.40mm	01-02
0.50mm	02-05
0.635mm	05
0.80mm	06-07
1.00mm	08-10
1.27mm	10-13

M Series Circular Connector

M5	14
M8	15-17
M12	17-21
M16	21
M20	21

M Series Circular Cable Assembly & Wire Harness

M5	22
M8	22-23
M12	23-24
M16	24
M20	24
M8 / M12 / M16 / M20 Wire Harness	25-26

USB Type-C Series

Right Angle Type	27-28
Straight Type	29
Clip Type	29
UP-Right Angle Type	29
Type-C & Type-A Straight Type	29

USB Series

Type-A USB	30
Type-B USB	30-31
Mini USB	31
Micro USB	31

USB Cable & Adapter

USB Adapter	32
USB Type-C Cable	32-33
USB Type-A / Type-B / Type-C / Micro Cable	33-34

Insert Mold Technology

Insert Mold Technology	35-36
------------------------	-------

Pin Header & PCB Socket Series

1.00mm	37
1.27mm	37-39
1.27x2.54mm	40-41
2.00mm	41-47
2.2x3.8mm	47
2.4x3.5mm	47
2.50mm	48-49
2.54mm	50-58
3.96mm	58

Press-Fit Series

2.54mm	59-61
3.50mm	60
4.00mm	60-61

Box & Shrouded Header Series

1.27X1.27mm	62-63
1.27X2.54mm	63
2.00mm	63-65
2.54mm	65-67

IDC Series

1.27mm	68
2.00mm	68
2.54mm	69-71

IDC Flat Cable Assembly

1.27mm	72
2.00mm	72
2.54mm	72

Wire To Board Series

0.80mm	73
1.00mm	73-74
1.20mm	74
1.25mm	75-76
1.50mm	76-77
2.00mm	78-80
2.20mm	80
2.50mm	81-86
2.54mm	86-90
3.00mm	91
3.50mm	91-92
3.96mm	92-93
4.20mm	93-94
5.08mm	94-95
5.70mm	95
5.00-7.50mm	96
6.35mm	96
8.00-10.00mm	96
10.00mm	97

CATALOG

Wire to Wire Series

2.50mm	98
2.54mm	98
3.00mm	98
3.68mm	99
4.20mm	99
4.50mm	99
5.00mm	100
5.08mm	100
6.00mm	100
6.20mm	100
6.35mm	100
6.70mm	101

Multi-Color Wire Harness

2.00mm	102
2.50mm	102
2.54mm	102

FPC / FFC Connector Series

0.50mm	103
1.00mm	103-104
1.25mm	104

Machine Pin Series

1.00mm	105
1.27mm	105-106
1.778mm	106, 108
2.00mm	106-107
2.54mm	107-109

Pogo Pin Series

Double Springs Type	110
Through Hole Type	110
SMT Type	110-111
Solder Type	110-111

RF Connector


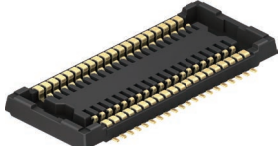
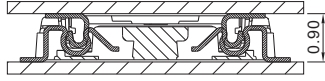
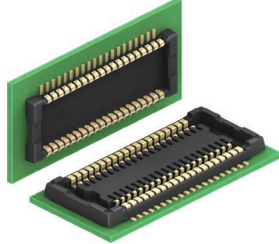
RF Connector	112
--------------	-----

Cable Assembly

Cable Assembly	113-115
----------------	---------

0.40mm Pitch

UNIT : mm

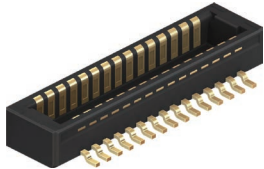

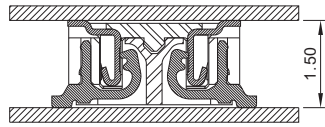
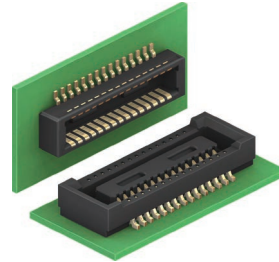
2004P-XXG-H09	2004S-XXG-H09		
 <p style="color: green; font-size: small;">RoHS Compliant</p>	 <p style="color: green; font-size: small;">RoHS Compliant</p>	 <p style="font-size: x-small;">Mating Height Drawing (Ref)</p>	

2004P-XXG-H09
 114=1.14mm
 No. of Contacts
 Plug Type

2004S-XXG-H09
 114=1.14mm
 No. of Contacts
 Socket Type

2004P & 2004S Series:
 0.40mm Board To Board Plug &
 Socket Connector.

Application:
 0.40mm Board To Board Plug &
 Socket Mating Height 0.90mm
 SMD Type.

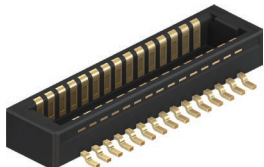

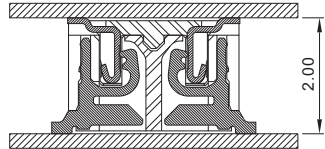
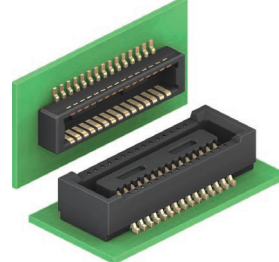
2004P-XXG-A114	2004S-XXG-A145		
 <p style="color: green; font-size: small;">RoHS Compliant</p>	 <p style="color: green; font-size: small;">RoHS Compliant</p>	 <p style="font-size: x-small;">Mating Height Drawing (Ref)</p>	

2004P-XXG-A114
 114=1.14mm
 No. of Contacts
 Plug Type

2004S-XXG-A145
 145=1.45mm
 No. of Contacts
 Socket Type

2004P & 2004S Series:
 0.40mm Board To Board Plug &
 Socket Connector A Type.

Application:
 0.40mm Board To Board Plug &
 Socket Mating Height 1.50mm
 SMD A Type.

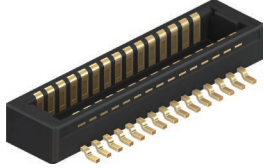

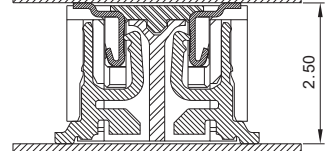
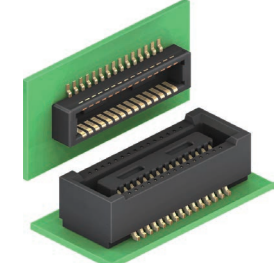
2004P-XXG-A114	2004S-XXG-A195		
 <p style="color: green; font-size: small;">RoHS Compliant</p>	 <p style="color: green; font-size: small;">RoHS Compliant</p>	 <p style="font-size: x-small;">Mating Height Drawing (Ref)</p>	

2004P-XXG-A114
 114=1.14mm
 No. of Contacts
 Plug Type

2004S-XXG-A195
 195=1.95mm
 No. of Contacts
 Socket Type

2004P & 2004S Series:
 0.40mm Board To Board Plug &
 Socket Connector A Type.

Application:
 0.40mm Board To Board Plug &
 Socket Mating Height 2.00mm
 SMD A Type.

2004P-XXG-A114	2004S-XXG-A245		
 <p style="color: green; font-size: small;">RoHS Compliant</p>	 <p style="color: green; font-size: small;">RoHS Compliant</p>	 <p style="font-size: x-small;">Mating Height Drawing (Ref)</p>	

2004P-XXG-A114
 114=1.14mm
 No. of Contacts
 Plug Type

2004S-XXG-A245
 245=2.45mm
 No. of Contacts
 Socket Type

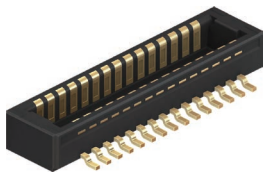

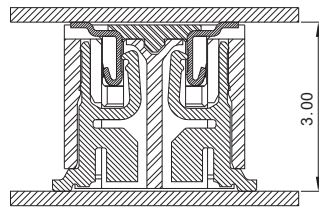
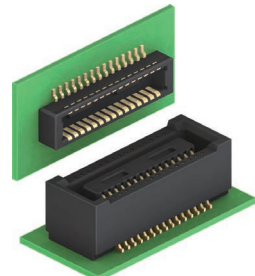
2004P & 2004S Series:
 0.40mm Board To Board Plug &
 Socket Connector A Type.

Application:
 0.40mm Board To Board Plug &
 Socket Mating Height 2.50mm
 SMD A Type.

Board To Board Series

0.40 / 0.50mm Pitch

UNIT : mm

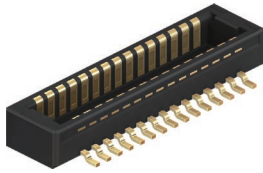

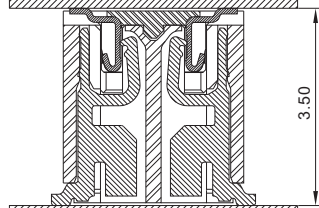
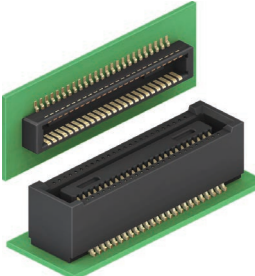
2004P-XXG-A114	2004S-XXG-A295		
			
RoHS Compliant	RoHS Compliant	Mating Height Drawing (Ref)	

2004P-XXG-A114
 114=1.14mm
 No. of Contacts
 Plug Type

2004S-XXG-A295
 295=2.95mm
 No. of Contacts
 Socket Type

2004P & 2004S Series:
 0.40mm Board To Board Plug &
 Socket Connector A Type.

Application:
 0.40mm Board To Board Plug &
 Socket Mating Height 3.00mm
 SMD A Type.

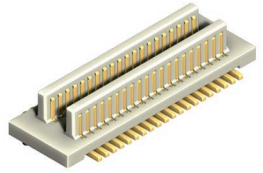
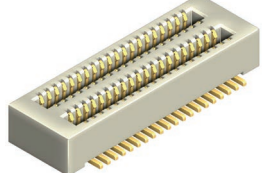
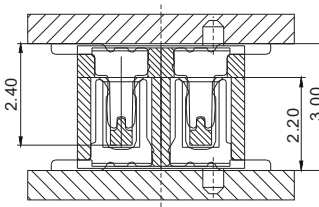
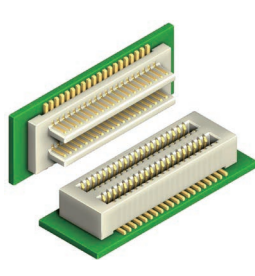
2004P-XXG-A114	2004S-XXG-A345		
			
RoHS Compliant	RoHS Compliant	Mating Height Drawing (Ref)	

2004P-XXG-A114
 114=1.14mm
 No. of Contacts
 Plug Type

2004S-XXG-A345
 345=3.45mm
 No. of Contacts
 Socket Type

2004P & 2004S Series:
 0.40mm Board To Board Plug &
 Socket Connector A Type.

Application:
 0.40mm Board To Board Plug &
 Socket Mating Height 3.50mm
 SMD A Type.

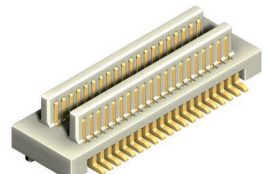
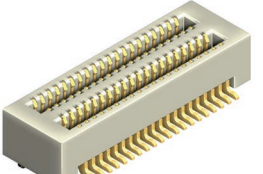
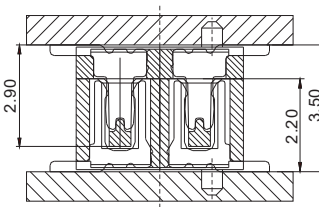
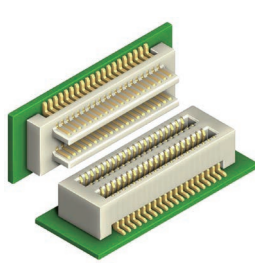
2000P-XXG-240-020	2001S-XXG-220-020		
			
RoHS Compliant	RoHS Compliant	Mating Height Drawing (Ref)	

2000P-XXG-240-020
 Product Code
 Total Height
 240=2.40mm
 No. of Contacts
 Plug Type

2001S-XXG-220-020
 Product Code
 Total Height
 220=2.20mm
 No. of Contacts
 Socket Type

2000P & 2001S Series:
 0.50mm Board To Board Plug &
 Socket Connector 020 Type.

Application:
 0.50mm Board To Board Plug &
 Socket Mating Height 3.00mm
 SMD 020 Type.

2000P-XXG-290-020	2001S-XXG-220-020		
			
RoHS Compliant	RoHS Compliant	Mating Height Drawing (Ref)	

2000P-XXG-290-020
 Product Code
 Total Height
 290=2.90mm
 No. of Contacts
 Plug Type

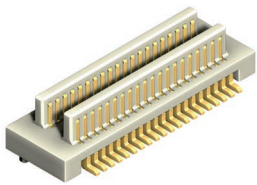
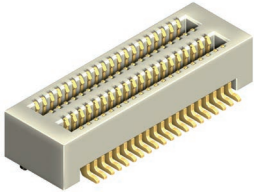
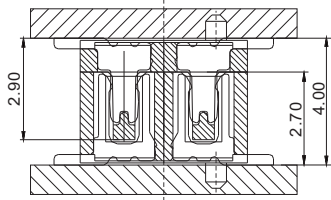
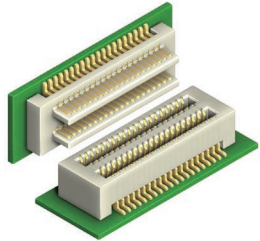
2001S-XXG-220-020
 Product Code
 Total Height
 220=2.20mm
 No. of Contacts
 Socket Type

2000P & 2001S Series:
 0.50mm Board To Board Plug &
 Socket Connector 020 Type.

Application:
 0.50mm Board To Board Plug &
 Socket Mating Height 3.50mm
 SMD 020 Type.

0.50mm Pitch

UNIT : mm

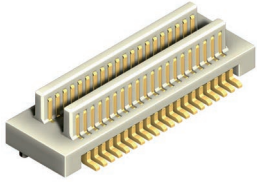
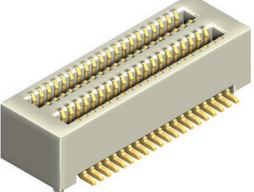
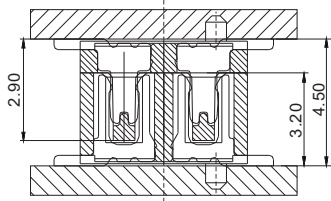
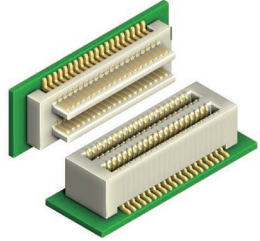
2000P-XXG-290-020	2001S-XXG-270-020		
			
RoHS Compliant	RoHS Compliant	Mating Height Drawing (Ref)	

2000P-XXG-290-020
 Product Code
 Total Height
 290=2.90mm
 No. of Contacts
 Plug Type

2001S-XXG-270-020
 Product Code
 Total Height
 270=2.70mm
 No. of Contacts
 Socket Type

2000P & 2001S Series:
 0.50mm Board To Board Plug &
 Socket Connector 020 Type.

Application:
 0.50mm Board To Board Plug &
 Socket Mating Height 4.00mm
 SMD 020 Type.

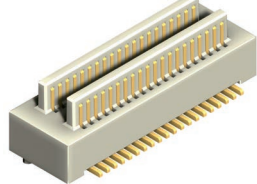
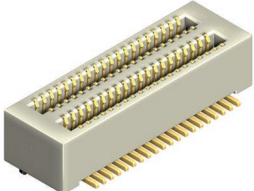
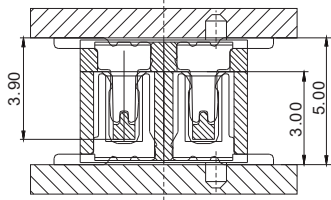
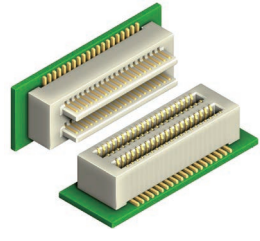
2000P-XXG-290-020	2001S-XXG-320-020		
			
RoHS Compliant	RoHS Compliant	Mating Height Drawing (Ref)	

2000P-XXG-290-020
 Product Code
 Total Height
 290=2.90mm
 No. of Contacts
 Plug Type

2001S-XXG-320-020
 Product Code
 Total Height
 320=3.20mm
 No. of Contacts
 Socket Type

2000P & 2001S Series:
 0.50mm Board To Board Plug &
 Socket Connector 020 Type.

Application:
 0.50mm Board To Board Plug &
 Socket Mating Height 4.50mm
 SMD 020 Type.

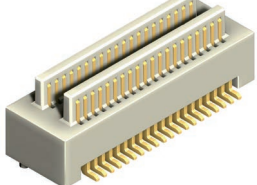
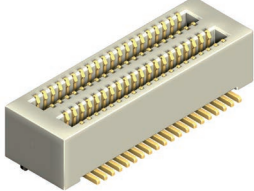
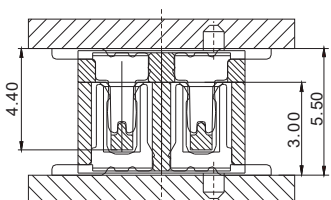
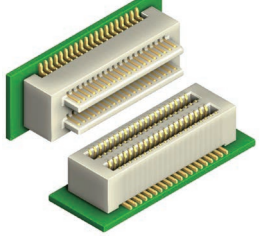
2000P-XXG-390-020	2001S-XXG-300-020		
			
RoHS Compliant	RoHS Compliant	Mating Height Drawing (Ref)	

2000P-XXG-390-020
 Product Code
 Total Height
 390=3.90mm
 No. of Contacts
 Plug Type

2001S-XXG-300-020
 Product Code
 Total Height
 300=3.00mm
 No. of Contacts
 Socket Type

2000P & 2001S Series:
 0.50mm Board To Board Plug &
 Socket Connector 020 Type.

Application:
 0.50mm Board To Board Plug &
 Socket Mating Height 5.00mm
 SMD 020 Type.

2000P-XXG-440-020	2001S-XXG-300-020		
			
RoHS Compliant	RoHS Compliant	Mating Height Drawing (Ref)	

2000P-XXG-440-020
 Product Code
 Total Height
 440=4.40mm
 No. of Contacts
 Plug Type

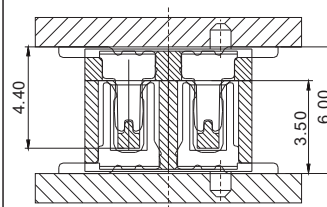
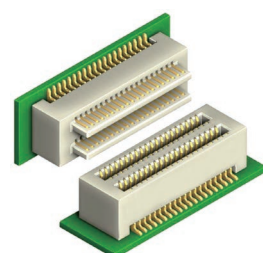
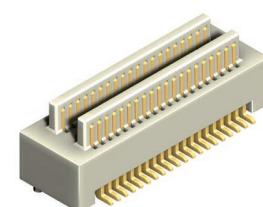
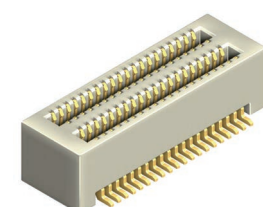
2001S-XXG-300-020
 Product Code
 Total Height
 300=3.00mm
 No. of Contacts
 Socket Type

2000P & 2001S Series:
 0.50mm Board To Board Plug &
 Socket Connector 020 Type.

Application:
 0.50mm Board To Board Plug &
 Socket Mating Height 5.50mm
 SMD 020 Type.

0.50mm Pitch

UNIT : mm

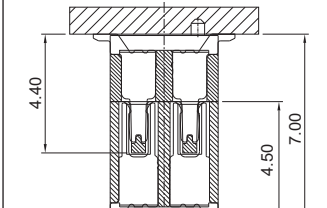
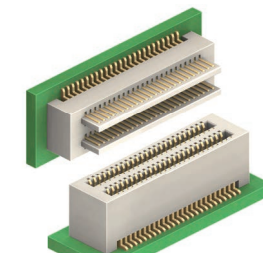
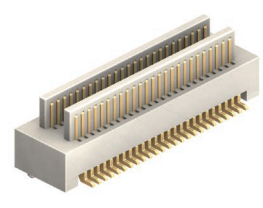
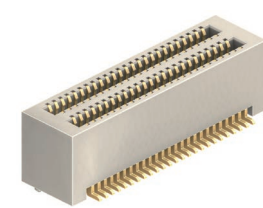
2000P-XXG-440-020	2001S-XXG-350-020	 <p>Mating Height Drawing (Ref)</p>	
 <p>RoHS Compliant</p>	 <p>RoHS Compliant</p>		

2000P-XXG-440-020
 Product Code
 Total Height
 440=4.40mm
 No. of Contacts
 Plug Type

2001S-XXG-350-020
 Product Code
 Total Height
 350=3.50mm
 No. of Contacts
 Socket Type

2000P & 2001S Series:
 0.50mm Board To Board Plug &
 Socket Connector 020 Type.

Application:
 0.50mm Board To Board Plug &
 Socket Mating Height 6.00mm
 SMD 020 Type.

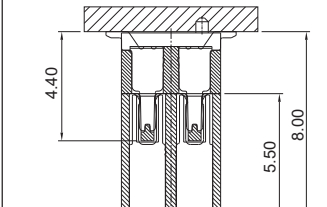
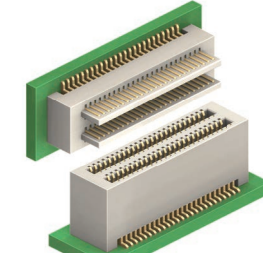
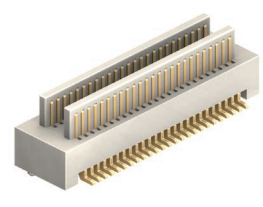
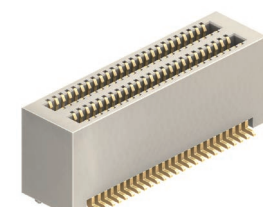
2000P-XXG-440-020	2001S-XXG-450-020	 <p>Mating Height Drawing (Ref)</p>	
 <p>RoHS Compliant</p>	 <p>RoHS Compliant</p>		

2000P-XXG-440-020
 Product Code
 Total Height
 440=4.40mm
 No. of Contacts
 Plug Type

2001S-XXG-450-020
 Product Code
 Total Height
 450=4.50mm
 No. of Contacts
 Socket Type

2000P & 2001S Series:
 0.50mm Board To Board Plug &
 Socket Connector 020 Type.

Application:
 0.50mm Board To Board Plug &
 Socket Mating Height 7.00mm
 SMD Type..

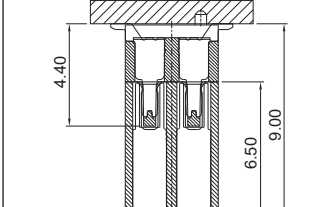
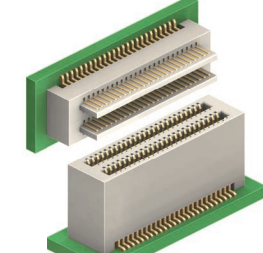
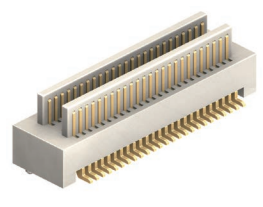
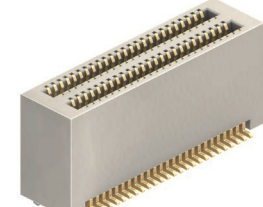
2000P-XXG-440-020	2001S-XXG-550-020	 <p>Mating Height Drawing (Ref)</p>	
 <p>RoHS Compliant</p>	 <p>RoHS Compliant</p>		

2000P-XXG-440-020
 Product Code
 Total Height
 440=4.40mm
 No. of Contacts
 Plug Type

2001S-XXG-550-020
 Product Code
 Total Height
 550=5.50mm
 No. of Contacts
 Socket Type

2000P & 2001S Series:
 0.50mm Board To Board Plug &
 Socket Connector 020 Type.

Application:
 0.50mm Board To Board Plug &
 Socket Mating Height 8.00mm
 SMD Type.

2000P-XXG-440-020	2001S-XXG-650-020	 <p>Mating Height Drawing (Ref)</p>	
 <p>RoHS Compliant</p>	 <p>RoHS Compliant</p>		

2000P-XXG-440-020
 Product Code
 Total Height
 440=4.40mm
 No. of Contacts
 Plug Type

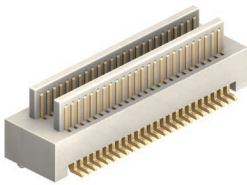
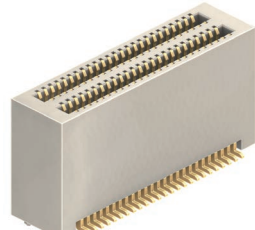
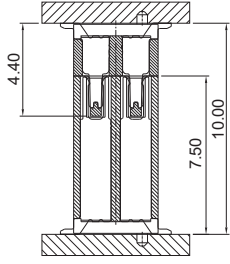
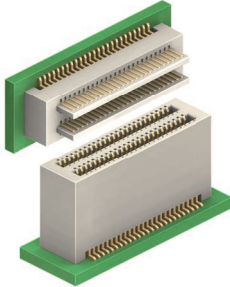
2001S-XXG-650-020
 Product Code
 Total Height
 650=6.50mm
 No. of Contacts
 Socket Type

2000P & 2001S Series:
 0.50mm Board To Board Plug &
 Socket Connector 020 Type.

Application:
 0.50mm Board To Board Plug &
 Socket Mating Height 9.00mm
 SMD 020 Type.

0.50 / 0.635mm Pitch

UNIT : mm

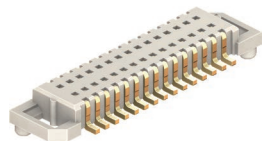
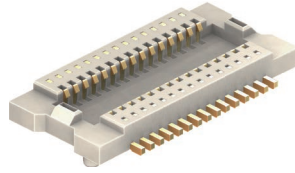
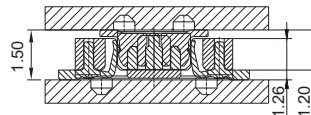
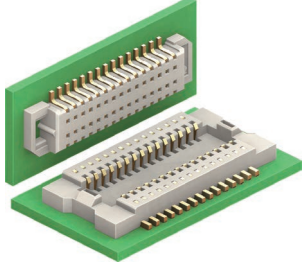
2000P-XXG-440-020	2001S-XXG-750-020		
			
RoHS Compliant	RoHS Compliant	Mating Height Drawing (Ref)	

2000P-XXG-440-020
 Product Code
 Total Height
 440=4.40mm
 No. of Contacts
 Plug Type

2001S-XXG-750-020
 Product Code
 Total Height
 750=7.50mm
 No. of Contacts
 Socket Type

2000P & 2001S Series:
 0.50mm Board To Board Plug &
 Socket Connector 020 Type.

Application:
 0.50mm Board To Board Plug &
 Socket Mating Height 10.00mm
 SMD 020 Type.

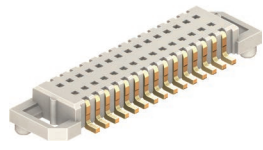
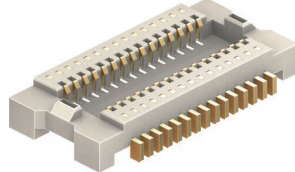
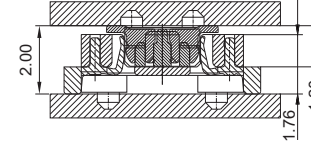
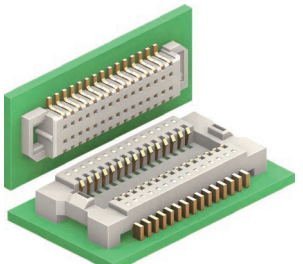
2000P-XXG-120	2001S-XXG-126		
			
RoHS Compliant	RoHS Compliant	Mating Height Drawing (Ref)	

2000P-XXG-120
 Total Height
 120=1.20mm
 No. of Contacts
 Plug Type

2001S-XXG-126
 Total Height
 126=1.26mm
 No. of Contacts
 Socket Type

2000P & 2001S Series:
 0.50mm Board To Board Plug &
 Socket Connector Type.

Application:
 0.50mm Board To Board Plug &
 Socket Mating Height 1.50mm
 SMD Type.

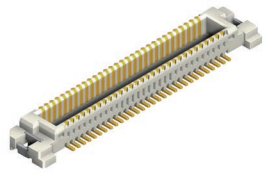

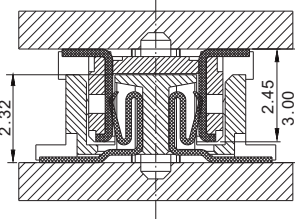
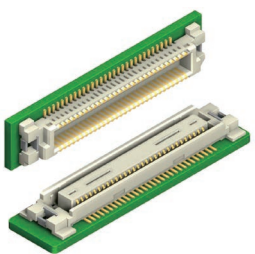
2000P-XXG-120	2001S-XXG-176		
			
RoHS Compliant	RoHS Compliant	Mating Height Drawing (Ref)	

2000P-XXG-120
 Total Height
 120=1.20mm
 No. of Contacts
 Plug Type

2001S-XXG-176
 Total Height
 176=1.76mm
 No. of Contacts
 Socket Type

2000P & 2001S Series:
 0.50mm Board To Board Plug &
 Socket Connector Type.

Application:
 0.50mm Board To Board Plug &
 Socket Mating Height 2.00mm
 SMD Type.

2063P-XXG-245	2063S-XXG-232		
			
RoHS Compliant	RoHS Compliant	Mating Height Drawing (Ref)	

2063P-XXG-245
 Total Height
 245=2.45mm
 No. of Contacts
 Plug Type

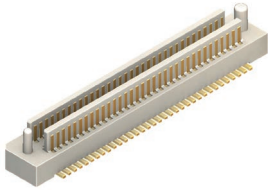
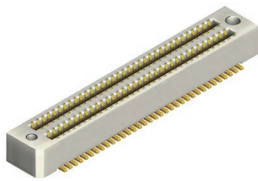
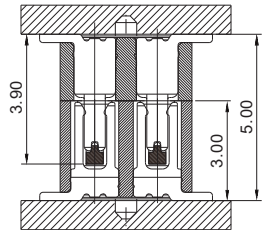
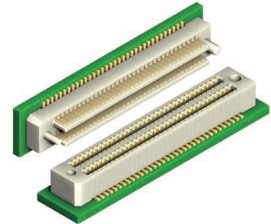
2063S-XXG-232
 Total Height
 232=2.32mm
 No. of Contacts
 Socket Type

2063P & 2063S Series:
 0.635mm Board To Board Plug &
 Socket Connector.

Application:
 0.635mm Board To Board Plug &
 Socket Mating Height 3.00mm
 SMD Type.

0.80mm Pitch

UNIT : mm

2063P-XXSG-390020APG	2063S-XXSG300020AHEM		
 <p>RoHS Compliant</p>	 <p>RoHS Compliant</p>	 <p>Mating Height Drawing (Ref)</p>	

2063P-XXSG-390020APG

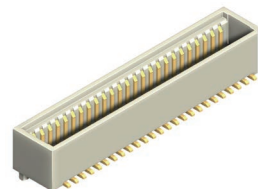
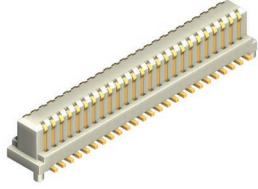
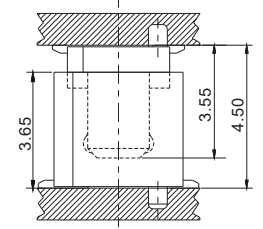
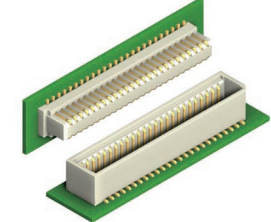
- With Peg
- Terminal T: 0.30mm
- 020 Type
- Height 3.9mm
- Selective Gold Plated
- No. of Contacts
- Plug Type

2063S-XXSG300020AHEM

- M-With Capton
- Terminal T: 0.30mm
- 020 Type
- Height 3.00mm
- Selective Gold Plated
- No. of Contacts
- Socket Type

2063P & 2063S Series:
0.635mm Board To Board Plug & Socket Connector.

Application:
0.635mm Board To Board Plug & Socket Mating Height 5.00mm SMD Type.

2011-XXG-365	2010-XXG-355		
 <p>RoHS Compliant</p>	 <p>RoHS Compliant</p>	 <p>Mating Height Drawing (Ref)</p>	

2011-XXG-365

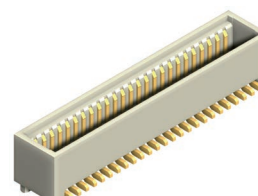
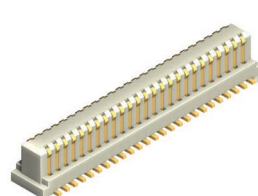
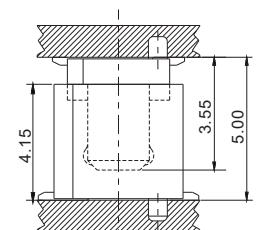
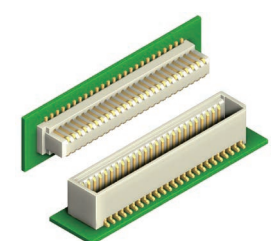
- Total Height 365=3.65mm
- No. of Contacts
- Plug Type

2010-XXG-355

- Total Height 355=3.55mm
- No. of Contacts
- Socket Type

2011 & 2010 Series:
0.80mm Board To Board Plug & Socket Connector.

Application:
0.80mm Board To Board Plug & Socket Mating Height 4.50mm SMD Type.

2011-XXG-415	2010-XXG-355		
 <p>RoHS Compliant</p>	 <p>RoHS Compliant</p>	 <p>Mating Height Drawing (Ref)</p>	

2011-XXG-415

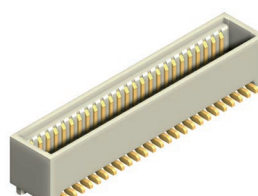
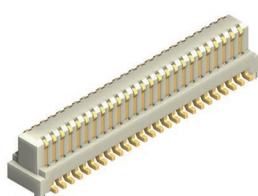
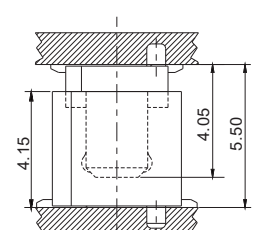
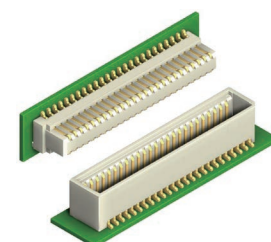
- Total Height 415=4.15mm
- No. of Contacts
- Plug Type

2010-XXG-355

- Total Height 355=3.55mm
- No. of Contacts
- Socket Type

2011 & 2010 Series:
0.80mm Board To Board Plug & Socket Connector.

Application:
0.80mm Board To Board Plug & Socket Mating Height 5.00mm SMD Type.

2011-XXG-415	2010-XXG-405		
 <p>RoHS Compliant</p>	 <p>RoHS Compliant</p>	 <p>Mating Height Drawing (Ref)</p>	

2011-XXG-415

- Total Height 415=4.15mm
- No. of Contacts
- Plug Type

2010-XXG-405

- Total Height 405=4.05mm
- No. of Contacts
- Socket Type

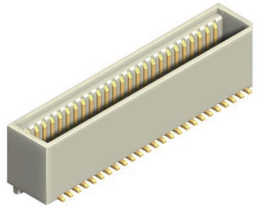
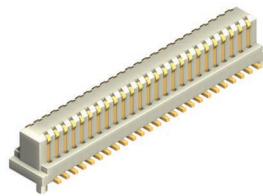
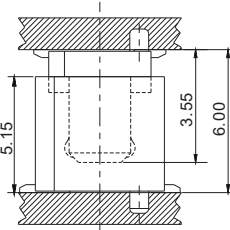
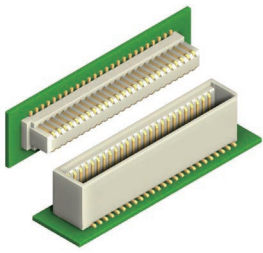
2011 & 2010 Series:
0.80mm Board To Board Plug & Socket Connector.

Application:
0.80mm Board To Board Plug & Socket Mating Height 5.50mm SMD Type.

Board To Board Series

0.80mm Pitch

UNIT : mm

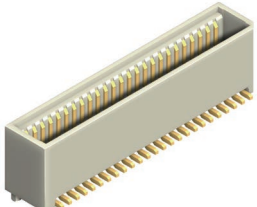
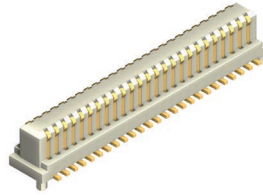
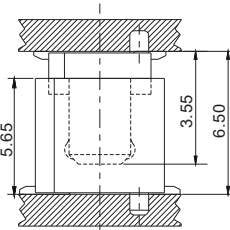
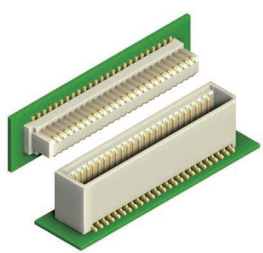
2011-XXG-515	2010-XXG-355		
			
RoHS Compliant	RoHS Compliant	Mating Height Drawing (Ref)	

2011-XXG-515
 Total Height 515=5.15mm
 No. of Contacts
 Plug Type

2010-XXG-355
 Total Height 355=3.55mm
 No. of Contacts
 Socket Type

2011 & 2010 Series:
 0.80mm Board To Board Plug & Socket Connector.

Application:
 0.80mm Board To Board Plug & Socket Mating Height 6.00mm SMD Type.

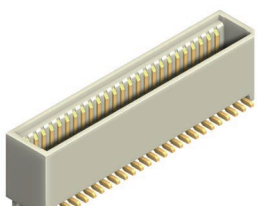
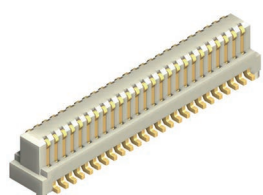
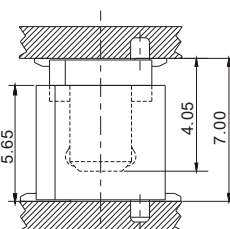
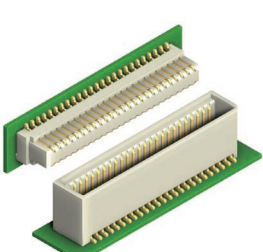
2011-XXG-565	2010-XXG-355		
			
RoHS Compliant	RoHS Compliant	Mating Height Drawing (Ref)	

2011-XXG-565
 Total Height 565=5.65mm
 No. of Contacts
 Plug Type

2010-XXG-355
 Total Height 355=3.55mm
 No. of Contacts
 Socket Type

2011 & 2010 Series:
 0.80mm Board To Board Plug & Socket Connector.

Application:
 0.80mm Board To Board Plug & Socket Mating Height 6.50mm SMD Type.

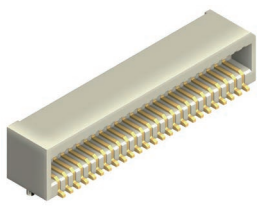
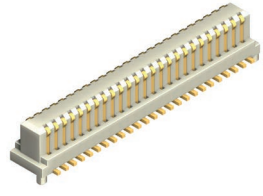
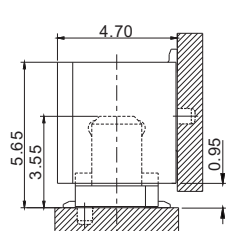
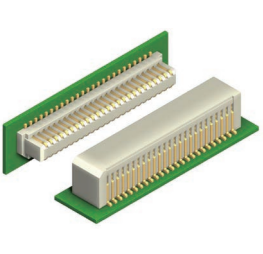
2011-XXG-565	2010-XXG-405		
			
RoHS Compliant	RoHS Compliant	Mating Height Drawing (Ref)	

2011-XXG-565
 Total Height 565=5.65mm
 No. of Contacts
 Plug Type

2010-XXG-405
 Total Height 405=4.05mm
 No. of Contacts
 Socket Type

2011 & 2010 Series:
 0.80mm Board To Board Plug & Socket Connector.

Application:
 0.80mm Board To Board Plug & Socket Mating Height 7.00mm SMD Type.

2011R-XXG-470-PC	2010-XXG-355		
			
RoHS Compliant	RoHS Compliant	Mating Height Drawing (Ref)	

2011R-XXG-470-PC
 Blank: Without Post
 PC: Post In The Center
 Total Height 470=4.70mm
 No. of Contacts
 Plug Right Angle Type

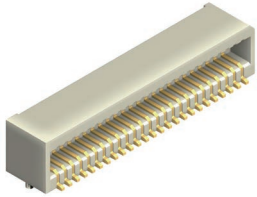
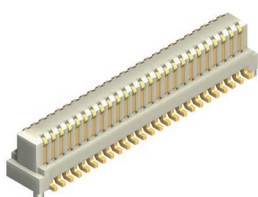
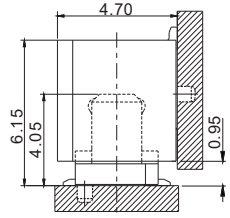
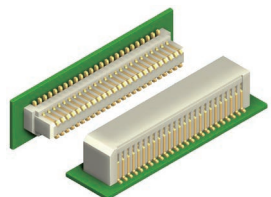
2010-XXG-355
 Total Height 355=3.55mm
 No. of Contacts
 Socket Type

2011R & 2010 Series:
 0.80mm Board To Board Plug & Socket Connector.

Application:
 0.80mm Board To Board Plug & Socket Mating Height 5.65mm SMD Type.

1.00mm Pitch

UNIT : mm

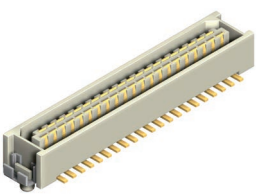
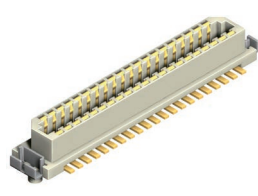
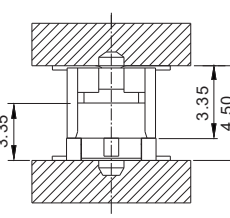

2011R-XXG-470-PC	2010-XXG-405		
			
RoHS Compliant	RoHS Compliant	Mating Height Drawing (Ref)	

2011R-XXG-470-PC
 Blank: Without Post
 PC: Post In The Center
 Total Height
 470=4.70mm
 No. of Contacts
 Plug Right Angle Type

2010-XXG-405
 Total Height
 405=4.05mm
 No. of Contacts
 Socket Type

2011R & 2010 Series:
 0.80mm Board To Board Plug &
 Socket Connector.

Application:
 0.80mm Board To Board Plug &
 Socket Mating Height 6.15mm
 SMD Type.

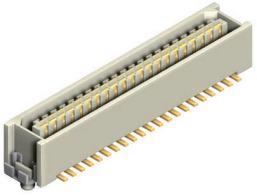
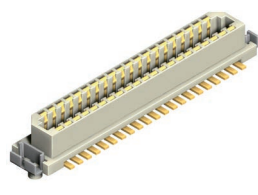
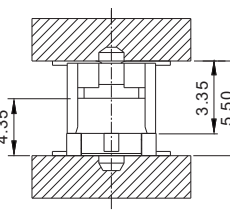
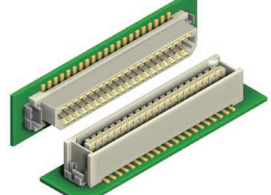
2005P-XXG-335	2005S-XXG-335		
			
RoHS Compliant	RoHS Compliant	Mating Height Drawing (Ref)	

2005P-XXG-335
 Total Height
 335=3.35mm
 No. of Contacts
 Plug Type

2005S-XXG-335
 Total Height
 335=3.35mm
 No. of Contacts
 Socket Type

2005P & 2005S Series:
 1.00mm Board To Board Plug &
 Socket Connector.

Application:
 1.00mm Board To Board Plug &
 Socket Mating Height 4.50mm
 SMD Type.

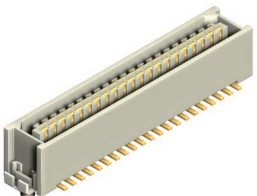
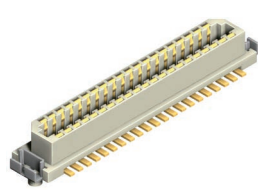
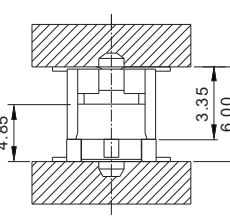
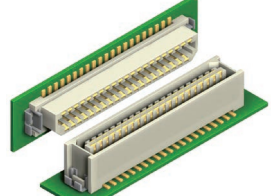
2005P-XXG-435	2005S-XXG-335		
			
RoHS Compliant	RoHS Compliant	Mating Height Drawing (Ref)	

2005P-XXG-435
 Total Height
 435=4.35mm
 No. of Contacts
 Plug Type

2005S-XXG-335
 Total Height
 335=3.35mm
 No. of Contacts
 Socket Type

2005P & 2005S Series:
 1.00mm Board To Board Plug &
 Socket Connector.

Application:
 1.00mm Board To Board Plug &
 Socket Mating Height 5.50mm
 SMD Type.

2005P-XXG-485	2005S-XXG-335		
			
RoHS Compliant	RoHS Compliant	Mating Height Drawing (Ref)	

2005P-XXG-485
 Total Height
 485=4.85mm
 No. of Contacts
 Plug Type

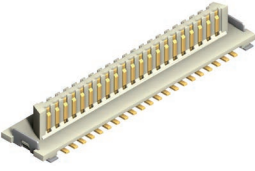
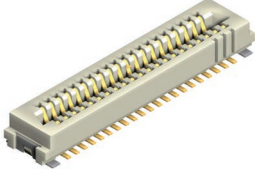
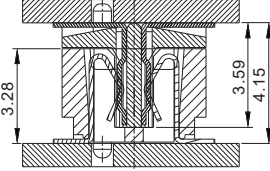
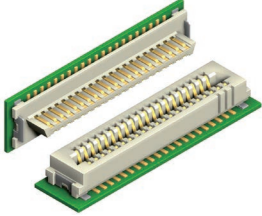
2005S-XXG-335
 Total Height
 335=3.35mm
 No. of Contacts
 Socket Type

2005P & 2005S Series:
 1.00mm Board To Board Plug &
 Socket Connector.

Application:
 1.00mm Board To Board Plug &
 Socket Mating Height 6.00mm
 SMD Type.

1.00mm Pitch

UNIT : mm

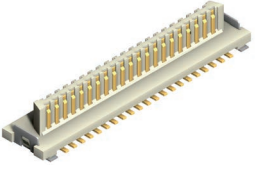
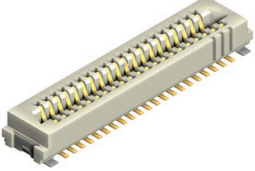
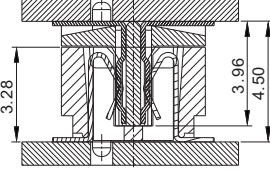
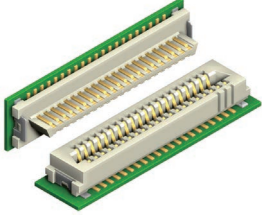
2005P-XXG-359	2005S-XXG-328		
			
RoHS Compliant	RoHS Compliant	Mating Height Drawing (Ref)	

2005P-XXG-359
 Total Height 359=3.59mm
 No. of Contacts
 Plug Type

2005S-XXG-328
 Total Height 328=3.28mm
 No. of Contacts
 Socket Type

2005P & 2005S Series:
 1.00mm Board To Board Plug & Socket Connector.

Application:
 1.00mm Board To Board Plug & Socket Mating Height 4.15mm SMD Type.

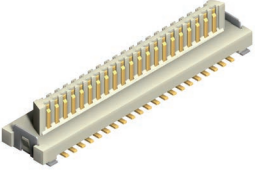
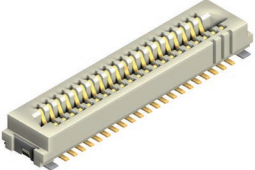
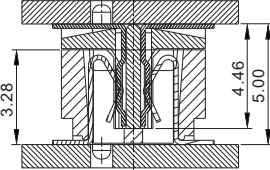
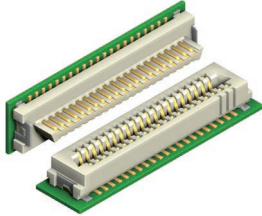
2005P-XXG-396	2005S-XXG-328		
			
RoHS Compliant	RoHS Compliant	Mating Height Drawing (Ref)	

2005P-XXG-396
 Total Height 396=3.96mm
 No. of Contacts
 Plug Type

2005S-XXG-328
 Total Height 328=3.28mm
 No. of Contacts
 Socket Type

2005P & 2005S Series:
 1.00mm Board To Board Plug & Socket Connector.

Application:
 1.00mm Board To Board Plug & Socket Mating Height 4.50mm SMD Type.

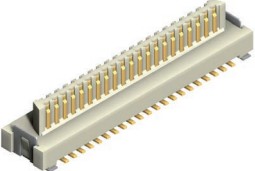
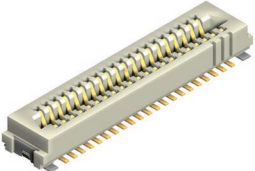
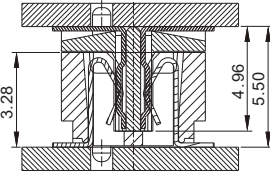
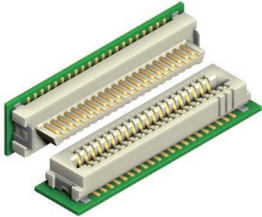
2005P-XXG-446	2005S-XXG-328		
			
RoHS Compliant	RoHS Compliant	Mating Height Drawing (Ref)	

2005P-XXG-446
 Total Height 446=4.46mm
 No. of Contacts
 Plug Type

2005S-XXG-328
 Total Height 328=3.28mm
 No. of Contacts
 Socket Type

2005P & 2005S Series:
 1.00mm Board To Board Plug & Socket Connector.

Application:
 1.00mm Board To Board Plug & Socket Mating Height 5.00mm SMD Type.

2005P-XXG-496	2005S-XXG-328		
			
RoHS Compliant	RoHS Compliant	Mating Height Drawing (Ref)	

2005P-XXG-496
 Total Height 496=4.96mm
 No. of Contacts
 Plug Type

2005S-XXG-328
 Total Height 328=3.28mm
 No. of Contacts
 Socket Type

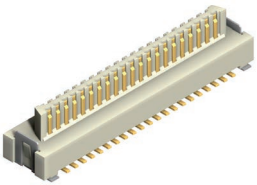
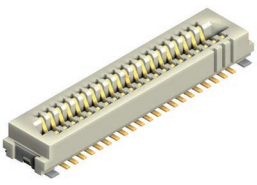
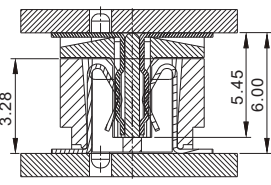
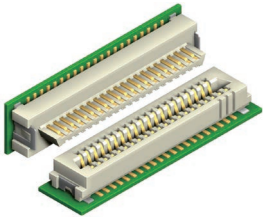
2005P & 2005S Series:
 1.00mm Board To Board Plug & Socket Connector.

Application:
 1.00mm Board To Board Plug & Socket Mating Height 5.50mm SMD Type.

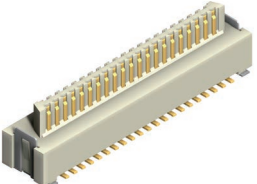
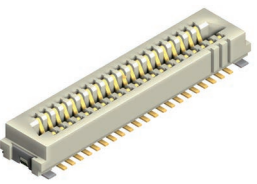
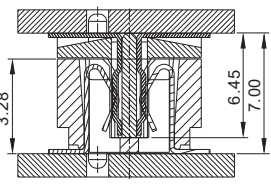
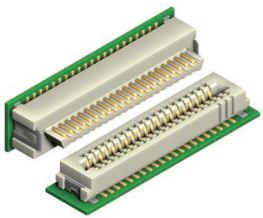
Board To Board Series

1.00 / 1.27mm Pitch

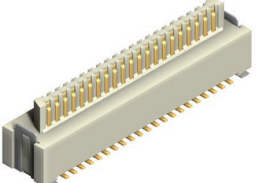
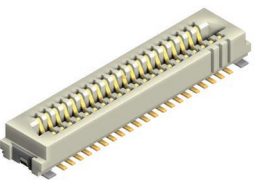
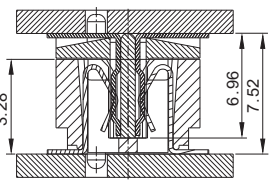
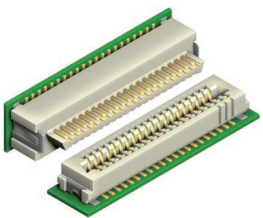
UNIT : mm

2005P-XXG-545	2005S-XXG-328		
			
RoHS Compliant	RoHS Compliant	Mating Height Drawing (Ref)	



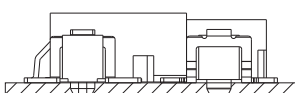
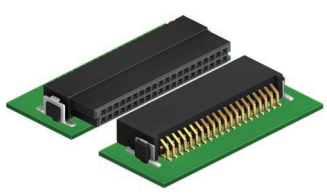
<p>2005P-XXG-545</p> <ul style="list-style-type: none"> — Total Height 545=5.45mm — No. of Contacts — Plug Type 	<p>2005S-XXG-328</p> <ul style="list-style-type: none"> — Total Height 328=3.28mm — No. of Contacts — Socket Type 	<p>2005P & 2005S Series: 1.00mm Board To Board Plug & Socket Connector.</p>	<p>Application: 1.00mm Board To Board Plug & Socket Mating Height 6.00mm SMD Type.</p>
--	--	---	--

2005P-XXG-645	2005S-XXG-328		
			
RoHS Compliant	RoHS Compliant	Mating Height Drawing (Ref)	

<p>2005P-XXG-645</p> <ul style="list-style-type: none"> — Total Height 645=6.45mm — No. of Contacts — Plug Type 	<p>2005S-XXG-328</p> <ul style="list-style-type: none"> — Total Height 328=3.28mm — No. of Contacts — Socket Type 	<p>2005P & 2005S Series: 1.00mm Board To Board Plug & Socket Connector.</p>	<p>Application: 1.00mm Board To Board Plug & Socket Mating Height 7.00mm SMD Type.</p>
--	--	---	--

2005P-XXG-696	2005S-XXG-328		
			
RoHS Compliant	RoHS Compliant	Mating Height Drawing (Ref)	

<p>2005P-XXG-696</p> <ul style="list-style-type: none"> — Total Height 696=6.96mm — No. of Contacts — Plug Type 	<p>2005S-XXG-328</p> <ul style="list-style-type: none"> — Total Height 328=3.28mm — No. of Contacts — Socket Type 	<p>2005P & 2005S Series: 1.00mm Board To Board Plug & Socket Connector.</p>	<p>Application: 1.00mm Board To Board Plug & Socket Mating Height 7.52mm SMD Type.</p>
--	--	---	--

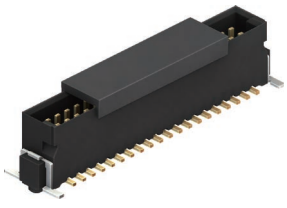

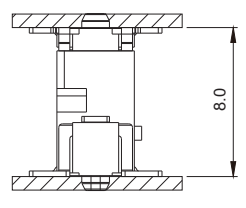
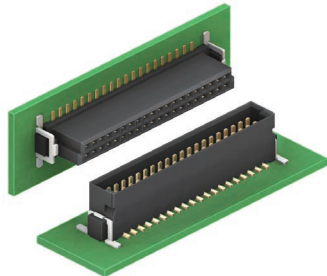
2127P-XXG-SMR-TR	2127S-XXG-SMR-TR		
			
RoHS Compliant	RoHS Compliant	Mating Height Drawing (Ref)	

<p>2127P-XXG-SMR-TR</p> <ul style="list-style-type: none"> — SMD R/A Type — No. of Contacts — Plug Type 	<p>2127S-XXG-SMR-TR</p> <ul style="list-style-type: none"> — SMD R/A Type — No. of Contacts — Socket Type 	<p>2127P & 2127S Series: 1.27mm Board To Board Plug & Socket Connector.</p>	<p>Application: 1.27mm Board To Board Plug & Socket Mating SMD R/A Type.</p>
--	--	---	--

Board To Board Series

1.27mm Pitch

UNIT : mm

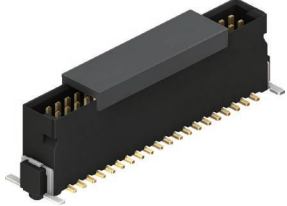
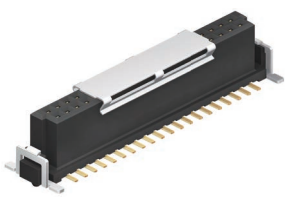
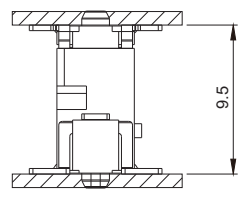
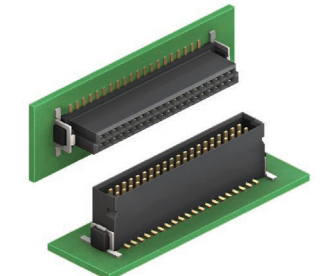
2127P-XXG-SM-675-CR	2127S-XXG-SM-625-CR		
			
RoHS Compliant	RoHS Compliant	Mating Height Drawing (Ref)	

2127P-XXG-SM-675-CR
 Height 675=6.75mm
 No. of Contacts
 Plug Type

2127S-XXG-SM-625-CR
 Height 625=6.25mm
 No. of Contacts
 Socket Type

2127P & 2127S Series:
 1.27mm Board To Board Plug & Socket Connector.

Application:
 1.27mm Board To Board Plug & Socket Mating Height 8.0mm SMD Type.

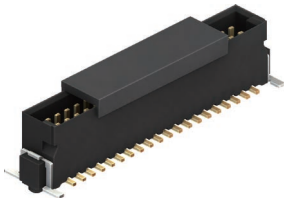
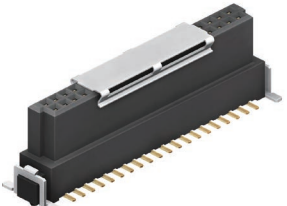
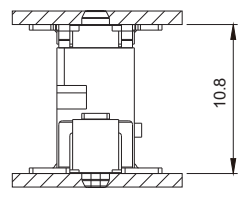
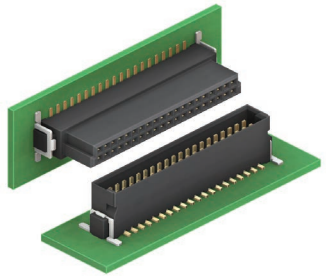
2127P-XXG-SM-825-CR	2127S-XXG-SM-625-CR		
			
RoHS Compliant	RoHS Compliant	Mating Height Drawing (Ref)	

2127P-XXG-SM-825-CR
 Height 825=8.25mm
 No. of Contacts
 Plug Type

2127S-XXG-SM-625-CR
 Height 625=6.25mm
 No. of Contacts
 Socket Type

2127P & 2127S Series:
 1.27mm Board To Board Plug & Socket Connector.

Application:
 1.27mm Board To Board Plug & Socket Mating Height 9.5mm SMD Type.

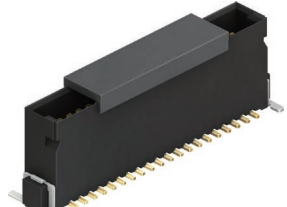

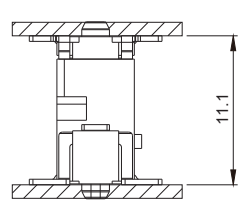
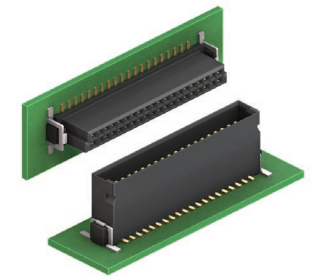
2127P-XXG-SM-675-CR	2127S-XXG-SM-905-CR		
			
RoHS Compliant	RoHS Compliant	Mating Height Drawing (Ref)	

2127P-XXG-SM-675-CR
 Height 675=6.75mm
 No. of Contacts
 Plug Type

2127S-XXG-SM-905-CR
 Height 905=9.05mm
 No. of Contacts
 Socket Type

2127P & 2127S Series:
 1.27mm Board To Board Plug & Socket Connector.

Application:
 1.27mm Board To Board Plug & Socket Mating Height 10.8mm SMD Type.

2127P-XXG-SM-985-CR	2127S-XXG-SM-625-CR		
			
RoHS Compliant	RoHS Compliant	Mating Height Drawing (Ref)	

2127P-XXG-SM-985-CR
 Height 985=9.85mm
 No. of Contacts
 Plug Type

2127S-XXG-SM-625-CR
 Height 625=6.25mm
 No. of Contacts
 Socket Type

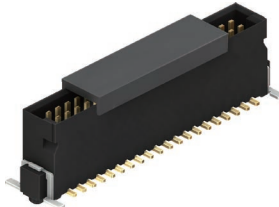
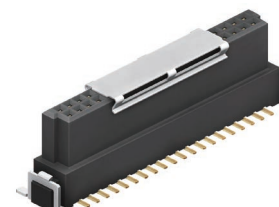
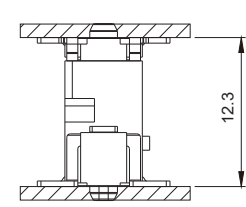
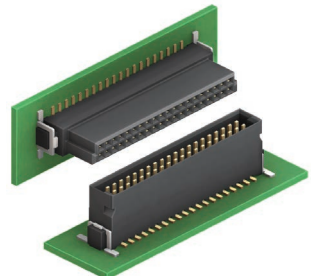
2127P & 2127S Series:
 1.27mm Board To Board Plug & Socket Connector.

Application:
 1.27mm Board To Board Plug & Socket Mating Height 11.1mm SMD Type.

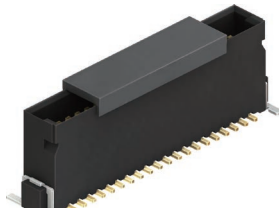
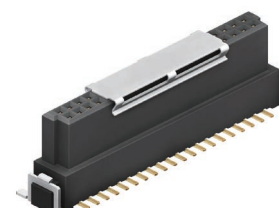
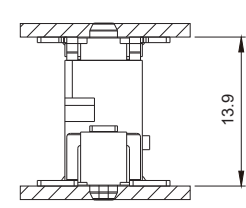
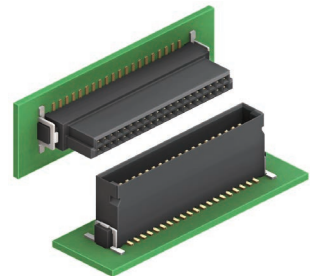
Board To Board Series

1.27mm Pitch

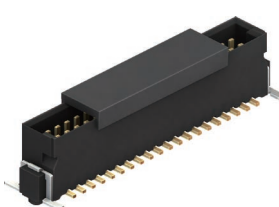

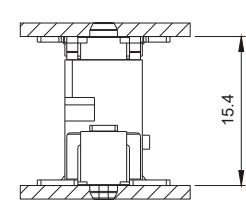
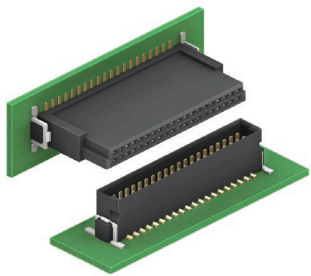
UNIT : mm

2127P-XXG-SM-825-CR		2127S-XXG-SM-905-CR			
					
RoHS Compliant	RoHS Compliant	Mating Height Drawing (Ref)			

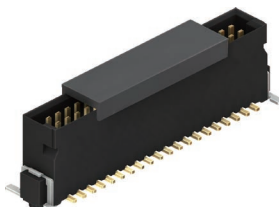

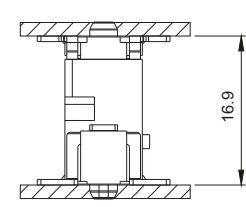
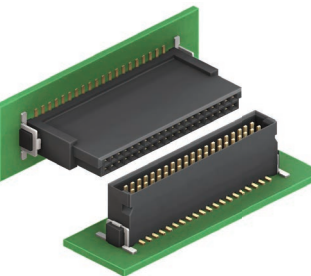
<p>2127P-XXG-SM-825-CR</p> <ul style="list-style-type: none"> Height 825=8.25mm No. of Contacts Plug Type 	<p>2127S-XXG-SM-905-CR</p> <ul style="list-style-type: none"> Height 905=9.05mm No. of Contacts Socket Type 	<p>2127P & 2127S Series: 1.27mm Board To Board Plug & Socket Connector.</p>	<p>Application: 1.27mm Board To Board Plug & Socket Mating Height 12.3mm SMD Type.</p>
--	--	---	--

2127P-XXG-SM-985-CR		2127S-XXG-SM-905-CR			
					
RoHS Compliant	RoHS Compliant	Mating Height Drawing (Ref)			

<p>2127P-XXG-SM-985-CR</p> <ul style="list-style-type: none"> Height 985=9.85mm No. of Contacts Plug Type 	<p>2127S-XXG-SM-905-CR</p> <ul style="list-style-type: none"> Height 905=9.05mm No. of Contacts Socket Type 	<p>2127P & 2127S Series: 1.27mm Board To Board Plug & Socket Connector.</p>	<p>Application: 1.27mm Board To Board Plug & Socket Mating Height 13.9mm SMD Type.</p>
--	--	---	--

2127P-XXG-SM-675-CR		2127S-XXG-SM-1365-CR			
					
RoHS Compliant	RoHS Compliant	Mating Height Drawing (Ref)			

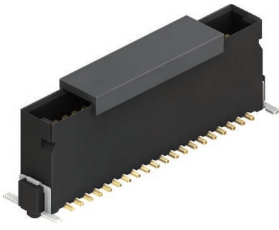

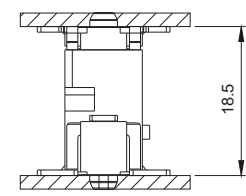
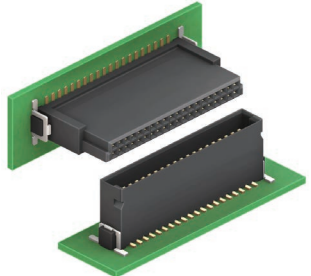
<p>2127P-XXG-SM-675-CR</p> <ul style="list-style-type: none"> Height 675=6.75mm No. of Contacts Plug Type 	<p>2127S-XXG-SM-1365-CR</p> <ul style="list-style-type: none"> Height 1365=13.65mm No. of Contacts Socket Type 	<p>2127P & 2127S Series: 1.27mm Board To Board Plug & Socket Connector.</p>	<p>Application: 1.27mm Board To Board Plug & Socket Mating Height 15.4mm SMD Type.</p>
--	---	---	--

2127P-XXG-SM-825-CR		2127S-XXG-SM-1365-CR			
					
RoHS Compliant	RoHS Compliant	Mating Height Drawing (Ref)			

<p>2127P-XXG-SM-825-CR</p> <ul style="list-style-type: none"> Height 825=8.25mm No. of Contacts Plug Type 	<p>2127S-XXG-SM-1365-CR</p> <ul style="list-style-type: none"> Height 1365=13.65mm No. of Contacts Socket Type 	<p>2127P & 2127S Series: 1.27mm Board To Board Plug & Socket Connector.</p>	<p>Application: 1.27mm Board To Board Plug & Socket Mating Height 16.9mm SMD Type.</p>
--	---	---	--

1.27mm Pitch

UNIT : mm

2127P-XXG-SM-985-CR	2127S-XXG-SM-1365-CR		
 <p style="text-align: center; color: green;">RoHS Compliant</p>	 <p style="text-align: center; color: green;">RoHS Compliant</p>	 <p style="text-align: center;">Mating Height Drawing (Ref)</p>	
<p>2127P-XXG-SM-985-CR</p> <ul style="list-style-type: none"> Height 985=9.85mm No. of Contacts Plug Type 	<p>2127S-XXG-SM-1365-CR</p> <ul style="list-style-type: none"> Height 1365=13.65mm No. of Contacts Socket Type 	<p>2127P & 2127S Series: 1.27mm Board To Board Plug & Socket Connector.</p> <p>Application: 1.27mm Board To Board Plug & Socket Mating Height 18.5mm SMD Type.</p>	

M Series Circular Connector

M5 Series

UNIT : mm

<p>120505-XXP-FA-PM</p>  <p>RoHS Compliant</p>	 <p>Mating Part: MCM05-XXSAS, MCM05-XXSAR</p>	<p>120505-XXS-FA-PM8</p>  <p>RoHS Compliant</p>	 <p>Mating Part: MCM05-XXPAS, MCM05-XXPAR</p>
<p>120505-XXP-FA-PM Panel Mount Solder A Coding Front Fastened Plug No. of Contacts 05:M5 Series</p>		<p>120505-XXS-FA-PM8 Panel Mount Solder A Coding Front Fastened Socket No. of Contacts 05:M5 Series</p>	
<p>120505-XXP-FA-PB</p>  <p>RoHS Compliant</p>	 <p>Mating Part: MCM05-XXSAS, MCM05-XXSAR</p>	<p>120505-XXS-FA-PB8</p>  <p>RoHS Compliant</p>	 <p>Mating Part: MCM05-XXPAS, MCM05-XXPAR</p>
<p>120505-XXP-FA-PB Panel Mount PCB Dip A Coding Front Fastened Plug No. of Contacts 05:M5 Series</p>		<p>120505-XXS-FA-PB8 Panel Mount PCB Dip A Coding Front Fastened Socket No. of Contacts 05:M5 Series</p>	
<p>120505-XXP-FA-PBS</p>  <p>RoHS Compliant</p>	 <p>Mating Part: MCM05-XXSASS, MCM05-XXSAR</p>	<p>120505-XXS-FA-PBS8</p>  <p>RoHS Compliant</p>	 <p>Mating Part: MCM05-XXPASS, MCM05-XXPAR</p>
<p>120505-XXP-FA-PBS Panel Mount PCB Dip With Shielding A Coding Front Fastened Plug No. of Contacts 05:M5 Series</p>		<p>120505-XXS-FA-PBS8 Panel Mount PCB Dip With Shielding A Coding Front Fastened Socket No. of Contacts 05:M5 Series</p>	
<p>120505-XXP-RA-PM</p>  <p>RoHS Compliant</p>	 <p>Mating Part: MCM05-XXSAS, MCM05-XXSAR</p>	<p>120505-XXS-RA-PM</p>  <p>RoHS Compliant</p>	 <p>Mating Part: MCM05-XXPAS, MCM05-XXPAR</p>
<p>120505-XXP-RA-PM Panel Mount Solder A Coding Rear Fastened Plug No. of Contacts 05:M5 Series</p>		<p>120505-XXS-RA-PM Panel Mount Solder A Coding Rear Fastened Socket No. of Contacts 05:M5 Series</p>	

M Series Circular Connector

M8 Series



UNIT : mm

120508-XXP-FX-PM		120508-XXS-FX-PM4	
			
RoHS Compliant		RoHS Compliant	
<p>120508-XXP-FX-PM</p> <ul style="list-style-type: none"> Panel Mount Solder A Coding, B Coding Front Fastened Plug No. of Contacts 08:M8 Series 	<p>Mating Part:</p> <p>MCM08-XXSXS, MCM08-XXSXR</p>	<p>120508-XXS-FX-PM4</p> <ul style="list-style-type: none"> Panel Mount Solder A Coding, B Coding Front Fastened Socket No. of Contacts 08:M8 Series 	<p>Mating Part:</p> <p>MCM08-XXPXS, MCM08-XXPXR</p>
120508-XXP-FX-PB		120508-XXS-FX-PB4	
			
RoHS Compliant		RoHS Compliant	
<p>120508-XXP-FX-PB</p> <ul style="list-style-type: none"> Panel Mount PCB Dip A Coding, B Coding Front Fastened Plug No. of Contacts 08:M8 Series 	<p>Mating Part:</p> <p>MCM08-XXSXS, MCM08-XXSXR</p>	<p>120508-XXS-FX-PB4</p> <ul style="list-style-type: none"> Panel Mount PCB Dip A Coding, B Coding Front Fastened Socket No. of Contacts 08:M8 Series 	<p>Mating Part:</p> <p>MCM08-XXPXS, MCM08-XXPXR</p>
120508-XXP-RX-PM		120508-XXS-RX-PM	
			
RoHS Compliant		RoHS Compliant	
<p>120508-XXP-RX-PM</p> <ul style="list-style-type: none"> Panel Mount Solder A Coding, B Coding Rear Fastened Plug No. of Contacts 08:M8 Series 	<p>Mating Part:</p> <p>MCM08-XXSXS, MCM08-XXSXR</p>	<p>120508-XXS-RX-PM</p> <ul style="list-style-type: none"> Panel Mount Solder A Coding, B Coding Rear Fastened Socket No. of Contacts 08:M8 Series 	<p>Mating Part:</p> <p>MCM08-XXPXS, MCM08-XXPXR</p>
120508R-XXP-FX-PBS		120508R-XXS-FX-PBS	
			
RoHS Compliant		RoHS Compliant	
<p>120508R-XXP-FX-PBS</p> <ul style="list-style-type: none"> Panel Mount PCB Dip With Shielding A Coding, B Coding Front Fastened Plug No. of Contacts Right Angle 08:M8 Series 	<p>Mating Part:</p> <p>MCM08-XXSXSS, MCM08-XXSXRS</p>	<p>120508R-XXS-FX-PBS</p> <ul style="list-style-type: none"> Panel Mount PCB Dip With Shielding A Coding, B Coding Front Fastened Socket No. of Contacts Right Angle 08:M8 Series 	<p>Mating Part:</p> <p>MCM08-XXPXSS, MCM08-XXPXRS</p>

M Series Circular Connector

M8 Series

UNIT : mm

120508-XXP-X-MM		120508-XXS-X-MM	
			
RoHS Compliant		RoHS Compliant	

120508-XXP-X-MM
 Solder Molded Type
 A Coding, B Coding
 Plug
 No. of Contacts
 08:M8 Series

Mating Part:
 120508-XXS-X-MM

120508-XXS-X-MM
 Solder Molded Type
 A Coding, B Coding
 Socket
 No. of Contacts
 08:M8 Series

Mating Part:
 120508-XXP-X-MM

120508R-XXP-A-AC		120508R-XXS-A-AC	
			
RoHS Compliant		RoHS Compliant	

120508R-XXP-A-AC
 Assembly Crimp
 A Coding
 Plug
 No. of Contacts
 08:M8 Series

Mating Part:
 120508-XXS-A-AC, 120508R-XXS-A-AC,
 MCM08-XXSAS, MCM08-XXSAR,
 MCA08-XXSFX4, MCA08-XXSRX

120508R-XXS-A-AC
 Assembly Crimp
 A Coding
 Socket
 No. of Contacts
 08:M8 Series

Mating Part:
 120508-XXP-A-AC, 120508R-XXP-A-AC,
 MCM08-XXPAS, MCM08-XXPAR,
 MCA08-XXPFX, MCA08-XXPRX

120508-XXP-A-AC		120508-XXS-A-AC	
			
RoHS Compliant		RoHS Compliant	

120508-XXP-A-AC
 Assembly Crimp
 A Coding
 Plug
 No. of Contacts
 08:M8 Series

Mating Part:
 120508-XXS-A-AC, 120508R-XXS-A-AC,
 MCM08-XXSAS, MCM08-XXSAR,
 MCA08-XXSFX4, MCA08-XXSRX

120508-XXS-A-AC
 Assembly Crimp
 A Coding
 Socket
 No. of Contacts
 08:M8 Series

Mating Part:
 120508-XXP-A-AC, 120508R-XXP-A-AC,
 MCM08-XXPAS, MCM08-XXPAR,
 MCA08-XXPFX, MCA08-XXPRX

805-120508PXX		805-120508SXX	
			
RoHS Compliant		RoHS Compliant	

805-120508PXX
 Blank With Tie
 01:Without Tie
 Plug
 08:M8 Series

Mating Part:
 MCM08-XXPXS, MCM08-XXPXR,
 MCM08-XXPXSS

805-120508SXX
 Blank With Tie
 01:Without Tie
 Socket
 08:M8 Series

Mating Part:
 MCM08-XXSXS, MCM08-XXSXR,
 MCM08-XXSXSS

M Series Circular Connector

M8 / M12 Series

UNIT : mm

120508-03S-A-PB15-TR  <p>RoHS Compliant</p>		120508-04S-A-PB15-TR  <p>RoHS Compliant</p>	
<p>120508-03S-A-PB15-TR</p> <ul style="list-style-type: none"> Tape & Reel 15u"Gold Plated PCB Dip A Coding Socket No. of Contacts 08:M8 Series 	<p>Mating Part: MCM08-XXPXS</p>	<p>120508-04S-A-PB15-TR</p> <ul style="list-style-type: none"> Tape & Reel 15u"Gold Plated PCB Dip A Coding Socket No. of Contacts 08:M8 Series 	<p>Mating Part: MCM08-XXPXS</p>
120508-05S-B-PB15-TR  <p>RoHS Compliant</p>		120512-XXP-FX-PBSX  <p>RoHS Compliant</p>	
<p>120508-05S-B-PB15-TR</p> <ul style="list-style-type: none"> Tape & Reel 15u"Gold Plated PCB Dip B Coding Socket No. of Contacts 08:M8 Series 	<p>Mating Part: MCM08-XXPXS</p>	<p>120512-XXP-FX-PBSX</p> <ul style="list-style-type: none"> 1:PG9 2:M16 Panel Mount PCB Dip With Shielding A Coding, D Coding Front Fastened Plug No. of Contacts 12: M12 Series 	<p>Mating Part: 120512-XXS-X04-AS,120512-XXS-X04-AC, 120512-XXS-X-AE4,120512-XXS-X-AS, 120512R-XXS-X-AE, MCM12-XXSXS, MCM12-XXSXR</p>
120512-XXS-FX-PBSX  <p>RoHS Compliant</p>		120512-XXP-FX-PBX  <p>RoHS Compliant</p>	
<p>120512-XXS-FX-PBSX</p> <ul style="list-style-type: none"> 1:PG9 2:M16 Panel Mount PCB Dip With Shielding A Coding, D Coding Front Fastened Socket No. of Contacts 12:M12 Series 	<p>Mating Part: 120512-XXP-X04-AS,120512-XXP-X04-AC, 120512-XXP-X-AE4,120512-XXP-X-AS, MCM12-XXPXS, MCM12-XXPXR</p>	<p>120512-XXP-FX-PBX</p> <ul style="list-style-type: none"> 1:PG9 2:M16 Panel Mount PCB Dip A Coding, D Coding Front Fastened Plug No. of Contacts 12:M12 Series 	<p>Mating Part: 120512-XXS-X04-AS,120512-XXS-X04-AC, 120512-XXS-X-AE4,120512-XXS-X-AS, 120512R-XXS-X-AE, MCM12-XXSXS, MCM12-XXSXR</p>
120512-XXS-FX-PBX  <p>RoHS Compliant</p>		120512-XXP-FX-PMX  <p>RoHS Compliant</p>	
<p>120512-XXS-FX-PBX</p> <ul style="list-style-type: none"> 1:PG9 2:M16 Panel Mount PCB Dip A Coding, D Coding Front Fastened Socket No. of Contacts 12:M12 Series 	<p>Mating Part: 120512-XXP-X04-AS,120512-XXP-X04-AC, 120512-XXP-X-AE4,120512-XXP-X-AS, MCM12-XXPXS, MCM12-XXPXR</p>	<p>120512-XXP-FX-PMX</p> <ul style="list-style-type: none"> 1:PG9 2:M16 Panel Mount Solder A Coding, D Coding Front Fastened Plug No. of Contacts 12: M12 Series 	<p>Mating Part: 120512-XXS-X04-AS,120512-XXS-X04-AC, 120512-XXS-X-AE4,120512-XXS-X-AS, 120512R-XXS-X-AE,MCM12-XXSXS, MCM12-XXSXR</p>

M Series Circular Connector

M12 Series

UNIT : mm

120512-XXS-FX-PMX		120512-XXP-RX-PMX	
			
RoHS Compliant	RoHS Compliant	RoHS Compliant	RoHS Compliant
<p>120512-XXS-FX-PMX</p> <ul style="list-style-type: none"> 1: PG9 2: M16 Panel Mount Solder A Coding, D Coding Front Fastened Socket No. of Contacts 12: M12 Series 	<p>Mating Part:</p> <p>120512-XXP-X04-AS, 120512-XXP-X04-AC, 120512-XXP-X-AE4, 120512-XXP-X-AS, MCM12-XXPXS, MCM12-XXPXR</p>	<p>120512-XXP-RX-PMX</p> <ul style="list-style-type: none"> 1: PG9 2: M16 Panel Mount Solder A Coding, D Coding Rear Fastened Plug No. of Contacts 12: M12 Series 	<p>Mating Part:</p> <p>120512-XXS-X04-AS, 120512-XXS-X04-AC, 120512-XXS-X-AE4, 120512-XXS-X-AS, 120512R-XXS-X-AE, MCM12-XXSXS, MCM12-XXSXR</p>
120512-XXS-RX-PMX		120512R-XXP-FX-PB	
			
RoHS Compliant	RoHS Compliant	RoHS Compliant	RoHS Compliant
<p>120512-XXS-RX-PMX</p> <ul style="list-style-type: none"> 1: PG9 2: M16 Panel Mount Solder A Coding, D Coding Rear Fastened Socket No. of Contacts 12: M12 Series 	<p>Mating Part:</p> <p>120512-XXP-X04-AS, 120512-XXP-X04-AC, 120512-XXP-X-AE4, 120512-XXP-X-AS, MCM12-XXPXS, MCM12-XXPXR</p>	<p>120512R-XXP-FX-PB</p> <ul style="list-style-type: none"> Panel Mount PCB Dip A Coding, D Coding Front Fastened Plug No. of Contacts Right Angle 12: M12 Series 	<p>Mating Part:</p> <p>120512-XXS-X04-AS, 120512-XXS-X04-AC, 120512-XXS-X-AE4, 120512-XXS-X-AS, 120512R-XXS-X-AE, MCM12-XXSXS, MCM12-XXSXR</p>
120512R-XXS-FX-PB		120512-08S-FX-PBSX	
			
RoHS Compliant	RoHS Compliant	RoHS Compliant	RoHS Compliant
<p>120512R-XXS-FX-PB</p> <ul style="list-style-type: none"> Panel Mount PCB Dip A Coding, D Coding Front Fastened Socket No. of Contacts Right Angle 12: M12 Series 	<p>Mating Part:</p> <p>120512-XXP-X04-AS, 120512-XXP-X04-AC, 120512-XXP-X-AE4, 120512-XXP-X-AS, MCM12-XXPXS, MCM12-XXPXR</p>	<p>120512-08S-FX-PBSX</p> <ul style="list-style-type: none"> With Shielding Panel Mount PCB Dip X Coding Front Fastend Socket No. of Contacts 12: M12 Series 	<p>Mating Part:</p> <p>MCM12-08PXSS</p>
120512-08S-FX-PMSX		120512R-08S-FX-PBS	
			
RoHS Compliant	RoHS Compliant	RoHS Compliant	RoHS Compliant
<p>120512-08S-FX-PMSX</p> <ul style="list-style-type: none"> With Shielding Panel Mount Solder X Coding Front Fastend Socket No. of Contacts 12: M12 Series 	<p>Mating Part:</p> <p>MCM12-08PXSS</p>	<p>120512R-08S-FX-PBS</p> <ul style="list-style-type: none"> With Shielding Panel Mount PCB Dip X Coding Front Fastend Socket No. of Contacts Right Angle 12: M12 Series 	<p>Mating Part:</p> <p>MCM12-08PXSS</p>

M Series Circular Connector

M12 Series

















UNIT : mm

120512-XXS-A-PB15  <p>RoHS Compliant</p>		120512-XXS-X-SM30-TR  <p>RoHS Compliant</p>	
<p>120512-XXS-A-PB15</p> <ul style="list-style-type: none"> 15u" Gold Plated PCB Dip A Coding Socket No. of Contacts 12:M12 Series 	<p>Mating Part: MCM12-XXPXS</p>	<p>120512-XXS-X-SM30-TR</p> <ul style="list-style-type: none"> Tape & Reel 30u" Gold Plated A Coding, D Coding Socket No. of Contacts 12:M12 Series 	<p>Mating Part: MCM12-XXPXS</p>
120512R-XXS-X-AE  <p>RoHS Compliant</p>		120512-XXP-X-AS  <p>RoHS Compliant</p>	
<p>120512R-XXS-X-AE</p> <ul style="list-style-type: none"> Assembly Screw A Coding, D Coding Socket No. of Contacts 12:M12 Series 	<p>Mating Part: 120512-XXP-X04-AS, 120512-XXP-X04-AC, 120512-XXP-X-AE4, 120512-XXP-X-AS, MCM12-XXPXS, MCM12-XXPXR</p>	<p>120512-XXP-X-AS</p> <ul style="list-style-type: none"> Assembly Solder A Coding, D Coding Plug No. of Contacts 12:M12 Series 	<p>Mating Part: 120512-XXS-X04-AS, 120512-XXS-X04-AC, 120512-XXS-X-AE4, 120512-XXS-X-AS, 120512R-XXS-X-AE, MCM12-XXSXS, MCM12-XXSXR</p>
120512-XXS-X-AS  <p>RoHS Compliant</p>		120512-XXP-X-AE4  <p>RoHS Compliant</p>	
<p>120512-XXS-X-AS</p> <ul style="list-style-type: none"> Assembly Solder A Coding, D Coding Socket No. of Contacts 12:M12 Series 	<p>Mating Part: 120512-XXP-X04-AS, 120512-XXP-X04-AC, 120512-XXP-X-AE4, 120512-XXP-X-AS, MCM12-XXPXS, MCM12-XXPXR</p>	<p>120512-XXP-X-AE4</p> <ul style="list-style-type: none"> 4:M10 Assembly Screw A Coding, D Coding Plug No. of Contacts 12:M12 Series 	<p>Mating Part: 120512-XXS-X04-AS, 120512-XXS-X04-AC, 120512-XXS-X-AE4, 120512-XXS-X-AS, 120512R-XXS-X-AE, MCM12-XXSXS, MCM12-XXSXR</p>
120512-XXS-X-AE4  <p>RoHS Compliant</p>		120512-XXP-X04-AC  <p>RoHS Compliant</p>	
<p>120512-XXS-X-AE4</p> <ul style="list-style-type: none"> 4:M10 Assembly Screw A Coding, D Coding Socket No. of Contacts 12:M12 Series 	<p>Mating Part: 120512-XXP-X04-AS, 120512-XXP-X04-AC, 120512-XXP-X-AE4, 120512-XXP-X-AS, MCM12-XXPXS, MCM12-XXPXR</p>	<p>120512-XXP-X04-AC</p> <ul style="list-style-type: none"> Assembly Crimp 04: Full-Metal Shells A Coding, D Coding Plug No. of Contacts 12:M12 Series 	<p>Mating Part: 120512-XXS-X04-AS, 120512-XXS-X04-AC, 120512-XXS-X-AE4, 120512-XXS-X-AS, 120512R-XXS-X-AE, MCM12-XXSXS, MCM12-XXSXR</p>

M Series Circular Connector

M12 Series

UNIT : mm

120512-XXS-X04-AC		120512-XXP-X04-AS	
			
RoHS Compliant	RoHS Compliant	RoHS Compliant	RoHS Compliant
120512-XXS-X04-AC Assembly Crimp 04: Full-Metal Shells A Coding, D Coding Socket No. of Contacts 12: M12 Series	Mating Part: 120512-XXP-X04-AS, 120512-XXP-X04-AC, 120512-XXP-X-AE4, 120512-XXP-X-AS, MCM12-XXPXS, MCM12-XXPRX	120512-XXP-X04-AS Assembly Solder 04: Full-Metal Shells A Coding, D Coding Plug No. of Contacts 12: M12 Series	Mating Part: 120512-XXS-X04-AS, 120512-XXS-X04-AC, 120512-XXS-X-AE4, 120512-XXS-X-AS, 120512R-XXS-X-AE, MCM12-XXSXS, MCM12-XXSXR
120512-XXS-X04-AS		120512-08P-X-AC	
			
RoHS Compliant	RoHS Compliant	RoHS Compliant	RoHS Compliant
120512-XXS-X04-AS Assembly Solder 04: Full-Metal Shells A Coding, D Coding Socket No. of Contacts 12: M12 Series	Mating Part: 120512-XXP-X04-AS, 120512-XXP-X04-AC, 120512-XXP-X-AE4, 120512-XXP-X-AS, MCM12-XXPXS, MCM12-XXPRX	120512-08P-X-AC Assembly Crimp X Coding Plug No. of Contacts 12: M12 Series	Mating Part: MCA12-08SFXX
120512-08P-X-MMS		805-120512PXX	
			
RoHS Compliant	RoHS Compliant	RoHS Compliant	RoHS Compliant
120512-08P-X-MMS With Shielding Solder Molded X Coding Plug No. of Contacts 12: M12 Series	Mating Part: MCA12-08SFXX, 120512-08S-FX-PBSX, 120512-08S-FX-PMSX	805-120512PXX Blank with Tie 01: w/o Tie Plug 12: M12 Series	Mating Part: MCM12-XXPXS, MCM12-XXPRX
805-120512SXX		MCM12-XXX-GCY	
			
RoHS Compliant	RoHS Compliant	RoHS Compliant	RoHS Compliant
805-120512SXX Blank with Tie 01: w/o Tie Socket 12: M12 Series	Mating Part: MCM12-XXSXS, MCM12-XXSXR	MCM12-XXX-GCY Y Type Gender Changer A Coding, D Coding No. of Contacts 12: M12 Series	Mating Part: MCM12-XXPXS, MCM12-XXSXS, MCA12-XXPFXX, MCA12-XXPRXX

M Series Circular Connector

M12 / M16 / M20 Series

UNIT : mm

<p>MCM12-XXX-ADA</p>  <p>RoHS Compliant</p>		<p>120516-XXP-FA-PM3</p>  <p>RoHS Compliant</p>	
<p>MCM12-XXX-ADA</p> <ul style="list-style-type: none"> 3: M12 Series A Coding, D Coding No. of Contacts 12: M12 Series 	<p>Mating Part: MCM12-XXPXS, MCA12-XXPFXX, MCA12-XXPRXX</p>	<p>120516-XXP-FA-PM3</p> <ul style="list-style-type: none"> 3: M19 Panel Mount Solder A Coding Front Fastened Plug No. of Contacts 16: M16 Series 	<p>Mating Part: MCM16-XXSAS</p>
<p>120516-XXS-FA-PM3</p>  <p>RoHS Compliant</p>		<p>120516-XXP-FA-PB9</p>  <p>RoHS Compliant</p>	
<p>120516-XXS-FA-PM3</p> <ul style="list-style-type: none"> 3: M19 Panel Mount Solder A Coding Front Fastened Socket No. of Contacts 16: M16 Series 	<p>Mating Part: MCM16-XXPAS</p>	<p>120516-XXP-FA-PB9</p> <ul style="list-style-type: none"> 9: M18 Panel Mount PCB Dip A Coding Front Fastened Plug No. of Contacts 16: M16 Series 	<p>Mating Part: MCM16-XXSAS</p>
<p>120520-XXP-RA-PM</p>  <p>RoHS Compliant</p>		<p>120620-XXP-FA02-PM</p>  <p>RoHS Compliant</p>	
<p>120520-XXP-RA-PM</p> <ul style="list-style-type: none"> Panel Mount Solder A Coding Rear Fastened Plug No. of Contacts 20: M20 Series 	<p>Mating Part: MCM20-XXSAS</p>	<p>120620-XXP-FA02-PM</p> <ul style="list-style-type: none"> Panel Mount Solder Quick Lock A Coding Front Fastened Plug No. of Contacts 20: M20 Series 	<p>Mating Part: 120620-XXS-FA02-MM</p>
<p>120620-XXS-FA02-MM</p>  <p>RoHS Compliant</p>		<p>MCM20-XXXA-GCT</p>  <p>RoHS Compliant</p>	
<p>120620-XXS-FA02-MM</p> <ul style="list-style-type: none"> Molding Quick Lock A Coding Front Fastened Socket No. of Contacts 20: M20 Series 	<p>Mating Part: 120620-XXP-FA02-PM</p>	<p>MCM20-XXXA-GCT</p> <ul style="list-style-type: none"> T Type Gender Changer A Coding No. of Contacts 20: M20 Series 	<p>Mating Part: MCA20-XXPRA</p>

M Series Circular Cable Assembly

M5 / M8 Series

UNIT : mm

MCM05-XXPAS		MCM05-XXSAS	
			
RoHS Compliant	RoHS Compliant	RoHS Compliant	RoHS Compliant
<p>MCM05-XXPAS</p> <ul style="list-style-type: none"> — Straight Type — A Coding — Plug — No. of Contacts — 05: M5 Series 	<p>Mating Part:</p> <p>120505-XXS-FA-PM, 120505-XXS-FA-PB, 120505-XXS-RA-PM, MCM05-XXSAS, MCM05-XXSAR</p>	<p>MCM05-XXSAS</p> <ul style="list-style-type: none"> — Straight Type — A Coding — Socket — No. of Contacts — 05: M5 Series 	<p>Mating Part:</p> <p>120505-XXP-FA-PM, 120505-XXP-FA-PB, 120505-XXP-RA-PM, MCM05-XXPAS, MCM05-XXPAR</p>
MCM05-XXPASS		MCM05-XXSASS	
			
RoHS Compliant	RoHS Compliant	RoHS Compliant	RoHS Compliant
<p>MCM05-XXPASS</p> <ul style="list-style-type: none"> — Shielded — Straight Type — A Coding — Plug — No. of Contacts — 05: M5 Series 	<p>Mating Part:</p> <p>120505-XXS-FA-PBS, MCM05-XXSASS</p>	<p>MCM05-XXSASS</p> <ul style="list-style-type: none"> — Shielded — Straight Type — A Coding — Socket — No. of Contacts — 05: M5 Series 	<p>Mating Part:</p> <p>120505-XXP-FA-PBS, MCM05-XXPASS</p>
MCM05-XXPAR		MCM05-XXSAR	
			
RoHS Compliant	RoHS Compliant	RoHS Compliant	RoHS Compliant
<p>MCM05-XXPAR</p> <ul style="list-style-type: none"> — R/A Type — A Coding — Plug — No. of Contacts — 05: M5 Series 	<p>Mating Part:</p> <p>120505-XXS-FA-PM, 120505-XXS-FA-PB, 120505-XXS-RA-PM, MCM05-XXSAS, MCM05-XXSAR</p>	<p>MCM05-XXSAR</p> <ul style="list-style-type: none"> — R/A Type — A Coding — Socket — No. of Contacts — 05: M5 Series 	<p>Mating Part:</p> <p>120505-XXP-FA-PM, 120505-XXP-FA-PB, 120505-XXP-RA-PM, MCM05-XXPAS, MCM05-XXPAR</p>
MCM08-XXPXS		MCM08-XXSXS	
			
RoHS Compliant	RoHS Compliant	RoHS Compliant	RoHS Compliant
<p>MCM08-XXPXS</p> <ul style="list-style-type: none"> — Straight Type — A Coding, B Coding — Plug — No. of Contacts — 08: M8 Series 	<p>Mating Part:</p> <p>120508R-XXS-FX-PBS</p>	<p>MCM08-XXSXS</p> <ul style="list-style-type: none"> — Straight Type — A Coding, B Coding — Socket — No. of Contacts — 08: M8 Series 	<p>Mating Part:</p> <p>120508-XXP-FX-PM, 120508-XXP-FX-PB, 120508-XXP-RX-PM, 120508R-XXP-A-AC, 120508-XXP-A-AC, MCA08-XXPFx4, MCA08-XXPFx, MCA08-XXPRx</p>

M Series Circular Cable Assembly

M8 / M12 Series

UNIT : mm

MCM08-XXPXSS		MCM08-XXSXSS	
			
RoHS Compliant	RoHS Compliant	RoHS Compliant	RoHS Compliant
<p>MCM08-XXPXSS</p> <ul style="list-style-type: none"> Shielded Straight Type A Coding, B Coding Plug No. of Contacts 08: M8 Series 	<p>Mating Part: 120508R-XXS-FX-PBS</p>	<p>MCM08-XXSXSS</p> <ul style="list-style-type: none"> Shielded Straight Type A Coding, B Coding Socket No. of Contacts 08: M8 Series 	<p>Mating Part: 120508R-XXP-FX-PBS</p>
MCM08-XXPXR		MCM08-XXSXR	
			
RoHS Compliant	RoHS Compliant	RoHS Compliant	RoHS Compliant
<p>MCM08-XXPXR</p> <ul style="list-style-type: none"> R/A Type A Coding, B Coding Plug No. of Contacts 08: M8 Series 	<p>Mating Part: 120508-XXS-FX-PM4, 120508-XXS-FX-PB4, 120508-XXS-RX-PM, 120508R-XXS-A-AC, 120508-XXS-A-AC, MCA08-XXSFX4, MCA08-XXSRX, MCM08-XXSXR</p>	<p>MCM08-XXSXR</p> <ul style="list-style-type: none"> R/A Type A Coding, B Coding Socket No. of Contacts 08: M8 Series 	<p>Mating Part: 120508-XXP-FX-PM, 120508-XXP-FX-PB, 120508-XXP-RX-PM, 120508R-XXP-A-AC, 120508-XXP-A-AC, MCA08-XXPFX, MCA08-XXPRX, MCM08-XXPXR</p>
MCM08-XXPXRS		MCM08-XXSXRS	
			
RoHS Compliant	RoHS Compliant	RoHS Compliant	RoHS Compliant
<p>MCM08-XXPXRS</p> <ul style="list-style-type: none"> Shielded R/A Type A Coding, B Coding Plug No. of Contacts 08: M8 Series 	<p>Mating Part: 120508R-XXS-FX-PBS</p>	<p>MCM08-XXSXRS</p> <ul style="list-style-type: none"> Shielded R/A Type A Coding, B Coding Socket No. of Contacts 08: M8 Series 	<p>Mating Part: 120508R-XXP-FX-PBS</p>
MCM12-XXPXS		MCM12-XXSXS	
			
RoHS Compliant	RoHS Compliant	RoHS Compliant	RoHS Compliant
<p>MCM12-XXPXS</p> <ul style="list-style-type: none"> Straight Type A Coding, D Coding Plug No. of Contacts 12: M12 Series 	<p>Mating Part: 120512-XXS-FX-PBX, 120512-XXS-FX-PMX, 120512-XXS-RX-PMX, 120512R-XXS-FX-PB, 120512-XXS-X04-AS, 120512-XXS-X04-AC, 120512-XXS-X-AE4, 120512-XXS-X-AS, 120512R-XXS-X-AE, MCM12-XXSXS, MCM12-XXSXR</p>	<p>MCM12-XXSXS</p> <ul style="list-style-type: none"> Straight Type A Coding, D Coding Socket No. of Contacts 12: M12 Series 	<p>Mating Part: 120512-XXP-FX-PBX, 120512-XXP-FX-PMX, 120512-XXP-RX-PMX, 120512R-XXP-FX-PB, 120512-XXP-X04-AS, 120512-XXP-X04-AC, 120512-XXP-X-AE4, 120512-XXP-X-AS, MCM12-XXPXS, MCM12-XXPXR</p>

M Series Circular Cable Assembly

M12 / M16 / M20 Series



Neltron Industrial Co., Ltd.

UNIT : mm



RoHS Compliant

RoHS Compliant

MCM12-XXPXR
 Right Angle
 A Coding, D Coding
 Plug
 No. of Contacts
 12: M12 Series

Mating Part: 120512-XXS-FX-PBX,
 120512-XXS-FX-PMX, 120512-XXS-RX-PMX,
 120512R-XXS-FX-PB, 120512-XXS-X04-AS,
 120512-XXS-X04-AC, 120512-XXS-X-AE4,
 120512-XXS-X-AS, 120512R-XXS-X-AE,
 MCM12-XXSXS, MCM12-XXSXR

MCM12-XXSXR
 Right Angle
 A Coding, D Coding
 Socket
 No. of Contacts
 12: M12 Series

Mating Part: 120512-XXP-FX-PBX,
 120512-XXP-FX-PMX, 120512-XXP-RX-PMX,
 120512R-XXP-FX-PB, 120512-XXP-X04-AS,
 120512-XXP-X04-AC, 120512-XXP-X-AE4,
 120512-XXP-X-AS, MCM12-XXPXS,
 MCM12-XXPXR



RoHS Compliant

MCM12-XXSPXSY
 Y Type
 Shielding
 A Coding, D Coding
 Plug
 Socket
 No. of Contacts
 12: M12 Series

Mating Part:
 MCM12-XXPXS, MCM12-XXSXS



RoHS Compliant

RoHS Compliant

MCM12-08PXSS
 Shielded
 Straight Type
 X Coding
 Plug
 No. of Contacts
 12: M12 Series

Mating Part:
 120512-08S-FX-PBSX,
 120512-08S-FX-PMSX,
 MCA12-08SFXX

MCM16-XXPAS
 Straight Type
 A Coding
 Plug
 No. of Contacts
 16: M16 Series

Mating Part:
 120516-XXS-FA-PM3,
 MCM16-XXSAS



RoHS Compliant

RoHS Compliant

MCM16-XXSAS
 Straight Type
 A Coding
 Socket
 No. of Contacts
 16: M16 Series

Mating Part:
 120516-XXP-FA-PM3,
 120516-XXP-FA-PB9,
 MCA16-XXPFAX,
 MCM16-XXPAS

MCM20-XXSAS
 Straight Type
 A Coding
 Socket
 No. of Contacts
 20: M20 Series

Mating Part:
 120520-XXP-RA-PM,
 MCA20-XXPRA

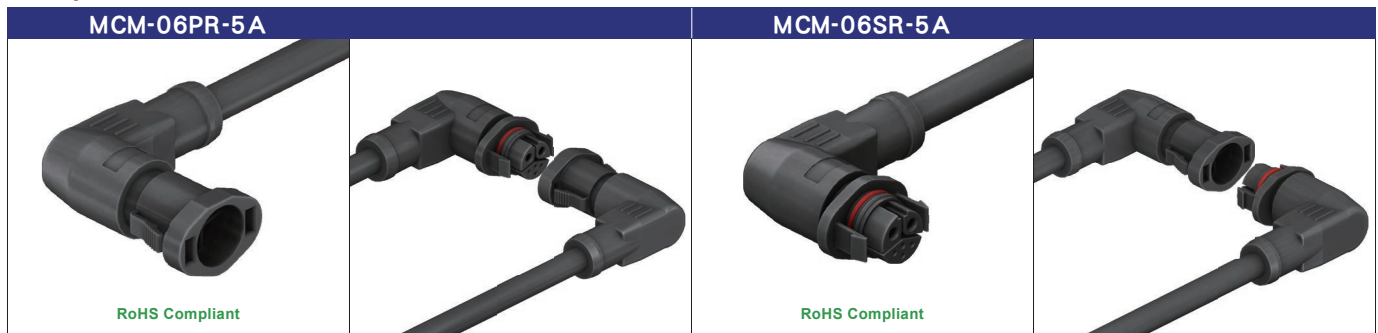
M Series Circular Wire Harness

M8 / M12 Series



Neltron Industrial Co., Ltd.

UNIT : mm



RoHS Compliant

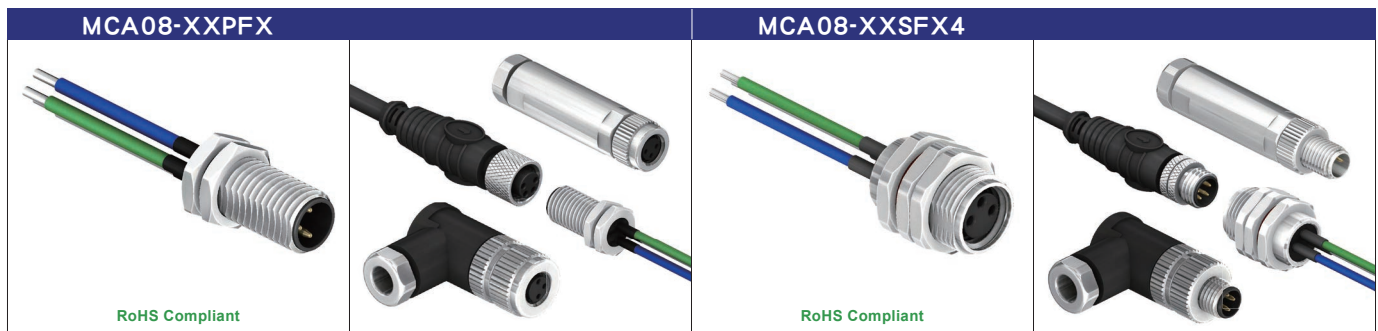
RoHS Compliant

MCM-06PR-5A
 5A: 5Amp
 Right Angle
 Plug
 No. of Contacts

Mating Part:
 MCM-06SR-5A

MCM-06SR-5A
 5A: 5Amp
 Right Angle
 Socket
 No. of Contacts

Mating Part:
 MCM-06PR-5A



RoHS Compliant

RoHS Compliant

MCA08-XXPFX
 A Coding, B Coding
 Front Fastened
 Plug
 No. of Contacts
 08: M8 Series

Mating Part:
 120508R-XXS-A-AC, 120508-XXS-A-AC,
 MCM08-XXSXS, MCM08-XXSXR

MCA08-XXSFX4
 A Coding, B Coding
 Front Fastened
 Socket
 No. of Contacts
 08: M8 Series

Mating Part:
 120508R-XXP-A-AC, 120508-XXP-A-AC,
 MCM08-XXPXS, MCM08-XXPXR



RoHS Compliant

RoHS Compliant

MCA08-XXPRX
 A Coding, B Coding
 Rear Fastened
 Plug
 No. of Contacts
 08: M8 Series

Mating Part:
 120508R-XXS-A-AC, 120508-XXS-A-AC,
 MCM08-XXSXS, MCM08-XXSXR

MCA08-XXSRX
 A Coding, B Coding
 Rear Fastened
 Socket
 No. of Contacts
 08: M8 Series

Mating Part:
 120508R-XXP-A-AC, 120508-XXP-A-AC,
 MCM08-XXPXS, MCM08-XXPXR



RoHS Compliant

RoHS Compliant

MCA12-XXPFXX
 1:PG9, 2:M16
 A Coding, D Coding
 Front Fastened
 Plug
 No. of Contacts
 12: M12 Series

Mating Part:
 120512-XXS-X04-AS, 120512-XXS-X04-AC,
 120512-XXS-X-AE4, 120512-XXS-X-AS,
 120512R-XXS-X-AE, MCM12-XXSXS,
 MCM12-XXSXR






MCA12-XXSFXX
 1:PG9, 2:M16
 A Coding, D Coding
 Front Fastened
 Socket
 No. of Contacts
 12: M12 Series

Mating Part:
 120512-XXP-X04-AS, 120512-XXP-X04-AC,
 120512-XXP-X-AE4, 120512-XXP-X-AS,
 MCM12-XXPXS, MCM12-XXPXR

M Series Circular Wire Harness








M12/ M16 / M20 Series

UNIT : mm

MCA12-XXPRXX		MCA12-XXSRXX	
			
RoHS Compliant	RoHS Compliant	RoHS Compliant	RoHS Compliant
<p>MCA12-XXPRXX</p> <ul style="list-style-type: none"> 1: PG9, 2: M16 A Coding, D Coding Rear Fastened Plug No. of Contacts 12: M12 Series 	<p>Mating Part:</p> <p>120512-XXS-X04-AS, 120512-XXS-X04-AC, 120512-XXS-X-AE4, 120512-XXS-X-AS, 120512R-XXS-X-AE, MCM12-XXSXS, MCM12-XXSXR</p>	<p>MCA12-XXSRXX</p> <ul style="list-style-type: none"> 1: PG9, 2: M16 A Coding, D Coding Rear Fastened Socket No. of Contacts 12: M12 Series 	<p>Mating Part:</p> <p>120512-XXP-X04-AS, 120512-XXP-X04-AC, 120512-XXP-X-AE4, 120512-XXP-X-AS, MCM12-XXPXS, MCM12-XXPXR</p>
MCA12-08SFXX		MCA16-XXPFAX	
			
RoHS Compliant	RoHS Compliant	RoHS Compliant	RoHS Compliant
<p>MCA12-08SFXX</p> <ul style="list-style-type: none"> 1: PG9, 2: M16 X Coding Front Fastened Socket No. of Contacts 12: M12 Series 	<p>Mating Part:</p> <p>MCM12-08PXSS</p>	<p>MCA16-XXPFAX</p> <ul style="list-style-type: none"> 3: M19, 9: M18 A Coding Front Fastened Plug No. of Contacts 16: M16 Series 	<p>Mating Part:</p> <p>MCM16-XXSAS</p>
MCA16-XXSFAX		MCA20-XXPRA	
			
RoHS Compliant	RoHS Compliant	RoHS Compliant	RoHS Compliant
<p>MCA16-XXSFAX</p> <ul style="list-style-type: none"> 3: M19, 9: M18 A Coding Front Fastened Socket No. of Contacts 16: M16 Series 	<p>Mating Part:</p> <p>MCM16-XXPAS</p>	<p>MCA20-XXPRA</p> <ul style="list-style-type: none"> A Coding Rear Fastened Plug No. of Contacts 20: M20 Series 	<p>Mating Part:</p> <p>MCM20-XXSAS</p>

















Right Angle Type

UNIT : mm

<p>5077CR-04-SMEA-BK-WP-TR</p>  <p>RoHS Compliant</p>	<p>5077CR-06-SM-BK-TR</p>  <p>RoHS Compliant</p>	<p>5077CR-06-SMEB-BK-WP-TR</p>  <p>RoHS Compliant</p>	<p>5077CR-14-SM-BK-TR</p>  <p>RoHS Compliant</p>
<p>5077CR-04-SMEA-BK-WP-TR</p> <ul style="list-style-type: none"> Tape & Reel Waterproof BK: Black SMD No. of Contacts C Type Right Angle 	<p>5077CR-06-SM-BK-TR</p> <ul style="list-style-type: none"> Tape & Reel BK: Black SMD No. of Contacts C Type Right Angle 	<p>5077CR-06-SMEB-BK-WP-TR</p> <ul style="list-style-type: none"> Tape & Reel Waterproof BK: Black SMD No. of Contacts C Type Right Angle 	<p>5077CR-14-SM-BK-TR</p> <ul style="list-style-type: none"> Tape & Reel BK: Black SMD No. of Contacts C Type Right Angle
<p>5077CR-16-SMA2-BK-TR</p>  <p>RoHS Compliant</p>	<p>5077CR-16-SM-BK-TR</p>  <p>RoHS Compliant</p>	<p>5077CR-16-SMC2A-BK-TR</p>  <p>RoHS Compliant</p>	<p>5077CR-16-SMC2B-BK-TR</p>  <p>RoHS Compliant</p>
<p>5077CR-16-SMA2-BK-TR</p> <ul style="list-style-type: none"> Tape & Reel BK: Black SMD No. of Contacts C Type Right Angle 	<p>5077CR-16-SM-BK-TR</p> <ul style="list-style-type: none"> Tape & Reel BK: Black SMD No. of Contacts C Type Right Angle 	<p>5077CR-16-SMC2A-BK-TR</p> <ul style="list-style-type: none"> Tape & Reel BK: Black SMD No. of Contacts C Type Right Angle 	<p>5077CR-16-SMC2B-BK-TR</p> <ul style="list-style-type: none"> Tape & Reel BK: Black SMD No. of Contacts C Type Right Angle
<p>5077CR-16-SMC2-BK-TR</p>  <p>RoHS Compliant</p>	<p>5077CR-16-SMEA-BK-WP-TR</p>  <p>RoHS Compliant</p>	<p>5077CR-16-SMM1-BK-TR</p>  <p>RoHS Compliant</p>	<p>5077CR-16-SMM2-BK-TR</p>  <p>RoHS Compliant</p>
<p>5077CR-16-SMC2-BK-TR</p> <ul style="list-style-type: none"> Tape & Reel BK: Black SMD No. of Contacts C Type Right Angle 	<p>5077CR-16-SMEA-BK-WP-TR</p> <ul style="list-style-type: none"> Tape & Reel Waterproof BK: Black SMD No. of Contacts C Type Right Angle 	<p>5077CR-16-SMM1-BK-TR</p> <ul style="list-style-type: none"> Tape & Reel BK: Black SMD No. of Contacts C Type Right Angle 	<p>5077CR-16-SMM2-BK-TR</p> <ul style="list-style-type: none"> Tape & Reel BK: Black SMD No. of Contacts C Type Right Angle
<p>5077CR-16-SMM3-BK-TR</p>  <p>RoHS Compliant</p>	<p>5077CR-16-SMM3-XX-TR</p>  <p>RoHS Compliant</p>	<p>5077CR-16-SMS43-BK-TR</p>  <p>RoHS Compliant</p>	<p>5077CR-16-SMS-BK-WP-TR</p>  <p>RoHS Compliant</p>
<p>5077CR-16-SMM3-BK-TR</p> <ul style="list-style-type: none"> Tape & Reel BK: Black SMD No. of Contacts C Type Right Angle 	<p>5077CR-16-SMM3-XX-TR</p> <ul style="list-style-type: none"> Tape & Reel BK: Black, WH: White SMD No. of Contacts C Type Right Angle 	<p>5077CR-16-SMS43-BK-TR</p> <ul style="list-style-type: none"> Tape & Reel BK: Black SMD No. of Contacts C Type Right Angle 	<p>5077CR-16-SMS-BK-WP-TR</p> <ul style="list-style-type: none"> Tape & Reel Waterproof BK: Black SMD No. of Contacts C Type Right Angle

Right Angle Type

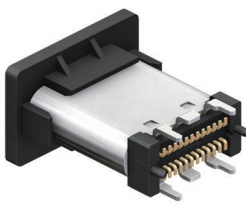

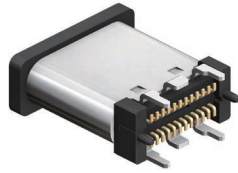

UNIT : mm

<p>5077CR-24-SM1-BK-TR</p>  <p>RoHS Compliant</p>	<p>5077CR-24-SMA3-BK-TR</p>  <p>RoHS Compliant</p>	<p>5077CR-24-SMB1-BK-TR</p>  <p>RoHS Compliant</p>	<p>5077CR-24-SM-BK-TR</p>  <p>RoHS Compliant</p>
<p>5077CR-24-SM1-BK-TR Tape & Reel BK:Black SMD No. of Contacts C Type Right Angle</p>	<p>5077CR-24-SMA3-BK-TR Tape & Reel BK:Black SMD No. of Contacts C Type Right Angle</p>	<p>5077CR-24-SMB1-BK-TR Tape & Reel BK:Black SMD No. of Contacts C Type Right Angle</p>	<p>5077CR-24-SM-BK-TR Tape & Reel BK:Black SMD No. of Contacts C Type Right Angle</p>
<p>5077CR-24-SMC12-BK-WP-TR</p>  <p>RoHS Compliant</p>	<p>5077CR-24-SMC3-BK-TR</p>  <p>RoHS Compliant</p>	<p>5077CR-24-SMC4-BK-TR</p>  <p>RoHS Compliant</p>	<p>5077CR-24-SMC6-BK-TR</p>  <p>RoHS Compliant</p>
<p>5077CR-24-SMC12-BK-WP-TR Tape & Reel Waterproof BK:Black SMD No. of Contacts C Type Right Angle</p>	<p>5077CR-24-SMC3-BK-TR Tape & Reel BK:Black SMD No. of Contacts C Type Right Angle</p>	<p>5077CR-24-SMC4-BK-TR Tape & Reel BK:Black SMD No. of Contacts C Type Right Angle</p>	<p>5077CR-24-SMC6-BK-TR Tape & Reel BK:Black SMD No. of Contacts C Type Right Angle</p>
<p>5077CR-24-SMC7-BK-TR</p>  <p>RoHS Compliant</p>	<p>5077CR-24-SMEA-BK-TR</p>  <p>RoHS Compliant</p>	<p>5077CR-24-SMM4-BK-TR</p>  <p>RoHS Compliant</p>	<p>5077CR-24-SMM9-BK-TR</p>  <p>RoHS Compliant</p>
<p>5077CR-24-SMC7-BK-TR Tape & Reel BK:Black SMD No. of Contacts C Type Right Angle</p>	<p>5077CR-24-SMEA-BK-TR Tape & Reel BK:Black SMD No. of Contacts C Type Right Angle</p>	<p>5077CR-24-SMM4-BK-TR Tape & Reel BK:Black SMD No. of Contacts C Type Right Angle</p>	<p>5077CR-24-SMM9-BK-TR Tape & Reel BK:Black SMD No. of Contacts C Type Right Angle</p>
<p>5077CR-24-SMMA-BK-TR</p>  <p>RoHS Compliant</p>	<p>5077CR-24-SMMC-BK-TR</p>  <p>RoHS Compliant</p>	<p>5077CR-24-SMS40X-30-BK-TR</p>  <p>RoHS Compliant</p>	<p>5077CR-24-SMZX-BK-TR</p>  <p>RoHS Compliant</p>
<p>5077CR-24-SMMA-BK-TR Tape & Reel BK:Black SMD No. of Contacts C Type Right Angle</p>	<p>5077CR-24-SMMC-BK-TR Tape & Reel BK:Black SMD No. of Contacts C Type Right Angle</p>	<p>5077CR-24-SMS40X-30-BK-TR Tape & Reel BK:Black Stand off 4.0 SMD No. of Contacts C Type Right Angle</p>	<p>5077CR-24-SMZX-BK-TR Tape & Reel BK:Black SMD No. of Contacts C Type Right Angle</p>





USB Type-C Series

Straight / Clip / Up-Right Angle Type / Type-C & Type-A Connector Straight Type





UNIT : mm

 <p>RoHS Compliant</p>	 <p>RoHS Compliant</p>	 <p>RoHS Compliant</p>	 <p>RoHS Compliant</p>
---	---	--	---

- 5077CS-24-SMC1-BK-CR: Cap & Tape & Reel, BK: Black, SMD, No. of Contacts, C Type Straight
- 5077CS-24-SMC2-BK: BK: Black, No. of Contacts, C Type Straight
- 5077CS-24-SMC2-BK-CR: Cap & Tape & Reel, BK: Black, SMD, No. of Contacts, C Type Straight
- 5077CP-02-02: With Shield Shell, Solder, C Type Plug

 <p>RoHS Compliant</p>	 <p>RoHS Compliant</p>	 <p>RoHS Compliant</p>	 <p>RoHS Compliant</p>
---	---	--	---

- 5077CP-24-02-02: With Shield Shell, Solder, No. of Contacts, C Type Plug
- 5077CP-24-C5-BK: BK: Black, No. of Contacts, C Type Plug
- 5077CP-24-C8-BK: BK: Black, No. of Contacts, C Type Plug
- 5077CS-24-C1-BK: BK: Black, No. of Contacts, C Type Socket

 <p>RoHS Compliant</p>	 <p>RoHS Compliant</p>	 <p>RoHS Compliant</p>	 <p>RoHS Compliant</p>
---	---	--	---




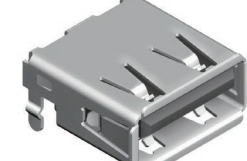












- 5077CS-24-C2-BK: BK: Black, No. of Contacts, C Type Socket
- 5077CS-24-C4-BK: BK: Black, No. of Contacts, C Type Socket
- 5077CS-24-C6-BK: BK: Black, No. of Contacts, C Type Socket
- 5077CUR-14-BK: BK: Black, No. of Contacts, C Type Up Right Angle

<p>5077CAS-1404</p>  <p>RoHS Compliant</p>
--

- 5077CAS-1404: A Type 4P, C Type 14P, C and A Type Female Straight


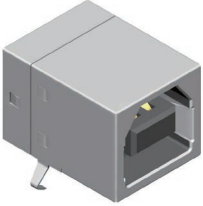


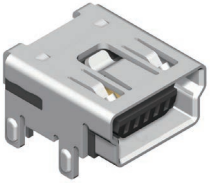


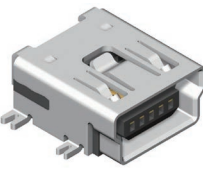
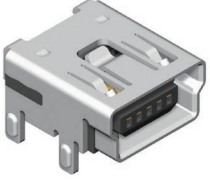
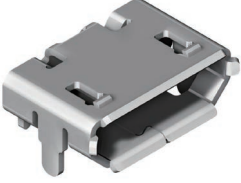
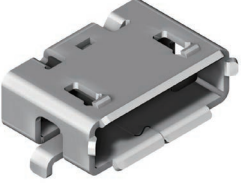
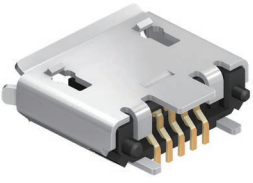
Type-A USB

UNIT : mm

<p>5075AS-04-XX</p>  <p>RoHS Compliant</p>	<p>5075AS-08-XX</p>  <p>RoHS Compliant</p>	<p>5075AR-04-XX</p>  <p>RoHS Compliant</p>	<p>5075AR-04A-XX</p>  <p>RoHS Compliant</p>
<p>5075AS-04-XX WH: White(Standard) BK: Black No. of Contacts A Type Socket Straight</p>	<p>5075AS-08-XX WH: White(Standard) BK: Black No. of Contacts A Type Socket Straight</p>	<p>5075AR-04-XX WH: White(Standard) BK: Black No. of Contacts A Type Socket Right Angle</p>	<p>5075AR-04A-XX WH: White(Standard) BK: Black No. of Contacts A Type Socket Right Angle</p>
<p>5075AR-04-SM-XX</p>  <p>RoHS Compliant</p>	<p>5075AR-04-SM1-XX</p>  <p>RoHS Compliant</p>	<p>5075AR-08B-XX</p>  <p>RoHS Compliant</p>	<p>5075ARP-04</p>  <p>RoHS Compliant</p>
<p>5075AR-04-SM-XX WH: White(Standard) BK: Black SM: SMD Type Blank: Dip Type No. of Contacts A Type Socket Right Angle</p>	<p>5075AR-04-SM1-XX WH: White(Standard) BK: Black SMD Type(Metal Shell Dip Type) No. of Contacts A Type Socket Right Angle</p>	<p>5075AR-08B-XX WH: White(Standard) BK: Black No. of Contacts A Type Socket Right Angle</p>	<p>5075ARP-04 No. of Contacts A Type Plug Right Angle</p>
<p>5075ARP-04-SM1</p>  <p>RoHS Compliant</p>	<p>5075ARP-04-SM2-XX</p>  <p>RoHS Compliant</p>	<p>5075ARP-04-SM5</p>  <p>RoHS Compliant</p>	<p>5075ARRP-04</p>  <p>RoHS Compliant</p>
<p>5075ARP-04-SM1 SM: SMD Type Blank: Dip Type No. of Contacts A Type Plug Right Angle</p>	<p>5075ARP-04-SM2-XX BK: Black(Standard) WH: White SM: SMD Type Blank: Dip Type No. of Contacts A Type Plug Right Angle</p>	<p>5075ARP-04-SM5 SM: SMD Type Blank: Dip Type No. of Contacts A Type Plug Right Angle</p>	<p>5075ARRP-04 No. of Contacts A Type Plug Right Angle Reverse</p>
<p>5075ARRP-04-SM1</p>  <p>RoHS Compliant</p>	<p>5075AUR-04-XX</p>  <p>RoHS Compliant</p>	<p>5075AUR-04-XX-PGA</p>  <p>RoHS Compliant</p>	<p>5075BS-04-XX-K0</p>  <p>RoHS Compliant</p>
<p>5075ARRP-04-SM1 SM: SMD Type Blank: Dip Type No. of Contacts A Type Plug Right Angle Reverse</p>	<p>5075AUR-04-XX WH: White(Standard) BK: Black No. of Contacts A Type UP Right Angle Type</p>	<p>5075AUR-04-XX-PGA With Peg WH: White(Standard) BK: Black No. of Contacts Type Socket Frank Right Angle</p>	<p>5075BS-04-XX-K0 Blank: With Kink K0: Without Kink WH: White(Standard) BK: Black No. of Contacts B Type Straight</p>

Type-B / Mini / Micro USB

UNIT : mm

<p>5075BS-04-SM-XX</p>  <p>RoHS Compliant</p>	<p>5075BR-04-XX</p>  <p>RoHS Compliant</p>	<p>5075ABMR-05-SM</p>  <p>RoHS Compliant</p>	<p>5075ABMR-05-SM1</p>  <p>RoHS Compliant</p>
<p>5075BS-04-SM-XX</p> <ul style="list-style-type: none"> BK:Black WH:White SMD Type No. of Contacts B Type Straight 	<p>5075BR-04-XX</p> <ul style="list-style-type: none"> WH: White(Standard) BK: Black No. of Contacts B Type Right Angle 	<p>5075ABMR-05-SM</p> <ul style="list-style-type: none"> SM: SMD Type No. of Contacts Mini AB Type Right Angle 	<p>5075ABMR-05-SM1</p> <ul style="list-style-type: none"> SMD Type (Metal Shell Dip Type) No. of Contacts Mini AB Type Right Angle
<p>5075BMR-05</p>  <p>RoHS Compliant</p>	<p>5075BMR-05B</p>  <p>RoHS Compliant</p>	<p>5075BMR-05D</p>  <p>RoHS Compliant</p>	<p>5075BMR-05-SM</p>  <p>RoHS Compliant</p>
<p>5075BMR-05</p> <ul style="list-style-type: none"> No. of Contacts Mini B Type Right Angle 	<p>5075BMR-05B</p> <ul style="list-style-type: none"> No. of Contacts Mini B Type Right Angle 	<p>5075BMR-05D</p> <ul style="list-style-type: none"> No. of Contacts Mini B Type Right Angle 	<p>5075BMR-05-SM</p> <ul style="list-style-type: none"> SMD Type No. of Contacts Mini B Type Right Angle
<p>5075BMR-05-SM1</p>  <p>RoHS Compliant</p>	<p>5075MABR-05-SM1</p>  <p>RoHS Compliant</p>	<p>5075MBR-05-SM6</p>  <p>RoHS Compliant</p>	<p>5075MBS-05-SM-01</p>  <p>RoHS Compliant</p>
<p>5075BMR-05-SM1</p> <ul style="list-style-type: none"> SMD Type (Metal Shell Dip Type) No. of Contacts Mini B Type Right Angle 	<p>5075MABR-05-SM1</p> <ul style="list-style-type: none"> SMD Type Blank: Dip Type No. of Contacts Micro USB AB Type Right Angle 	<p>5075MBR-05-SM6</p> <ul style="list-style-type: none"> SMD Type No. of Contacts USB B Type Micro USB B Type Right Angle 	<p>5075MBS-05-SM-01</p> <ul style="list-style-type: none"> Blank: With Peg 01 :Without Peg SMD Type No. of Contacts Micro USB B Type Straight

USB Adapter / USB Type-C Cable

UNIT : mm

<p style="text-align: center;">ADM-001</p>  <p style="text-align: center; color: green;">RoHS Compliant</p>	<p style="text-align: center;">ADM-002</p>  <p style="text-align: center; color: green;">RoHS Compliant</p>	<p style="text-align: center;">ADM-003</p>  <p style="text-align: center; color: green;">RoHS Compliant</p>
<p>USB Type-C Female to USB A Male Adapter</p>	<p>USB Type-C Female to USB A Male Adapter</p>	<p>USB Type-C Female to USB A Male Adapter</p>
<p style="text-align: center;">USBC-001</p>  <p style="text-align: center; color: green;">RoHS Compliant</p>	<p style="text-align: center;">USBC-003</p>  <p style="text-align: center; color: green;">RoHS Compliant</p>	<p style="text-align: center;">USBC-004</p>  <p style="text-align: center; color: green;">RoHS Compliant</p>
<p>USB Type-C Male to Micro USB 2.0 Male Cable</p>	<p>USB Type-C Male to USB A Male Cable</p>	<p>USB Type-C Female to USB A Male Cable</p>
<p style="text-align: center;">USBC-005</p>  <p style="text-align: center; color: green;">RoHS Compliant</p>	<p style="text-align: center;">USBC-006</p>  <p style="text-align: center; color: green;">RoHS Compliant</p>	<p style="text-align: center;">USBC-007</p>  <p style="text-align: center; color: green;">RoHS Compliant</p>
<p>USB Type-C Male to Micro USB 3.0 Male Cable</p>	<p>USB Type-C Male to Type-C Male Cable</p>	<p>USB Type-C Male to USB A Female Cable</p>
<p style="text-align: center;">USBC-008</p>  <p style="text-align: center; color: green;">RoHS Compliant</p>	<p style="text-align: center;">USBC-009</p>  <p style="text-align: center; color: green;">RoHS Compliant</p>	<p style="text-align: center;">USBC-010</p>  <p style="text-align: center; color: green;">RoHS Compliant</p>
<p>USB Type-C Male to USB A Male Cable</p>	<p>USB Type-C Male to Circular Connector Cable</p>	<p>USB Type-C Male to Type-C Magnetic Cable</p>
<p style="text-align: center;">USBC-011</p>  <p style="text-align: center; color: green;">RoHS Compliant</p>	<p style="text-align: center;">USBC-012</p>  <p style="text-align: center; color: green;">RoHS Compliant</p>	<p style="text-align: center;">USBA-001</p>  <p style="text-align: center; color: green;">RoHS Compliant</p>
<p>USB Type-C Male Cable</p>	<p>USB Type-C Male to DisplayPort Male Cable</p>	<p>USB Type-A Male Cable</p>

USB Type-A / Type-B / Type-C / Micro Cable




UNIT : mm

USBA-002	USBA-004	USBA-006
 <p>RoHS Compliant</p>	 <p>RoHS Compliant</p>	 <p>RoHS Compliant</p>
USB Type-B Male Cable	USB Micro B Cable	USB Type-A Male Cable
USBA-007	USBA-008	USBA-009
 <p>RoHS Compliant</p>	 <p>RoHS Compliant</p>	 <p>RoHS Compliant</p>
USB Type-A Female Cable	Desktop Computer USB 3.0 Expansion Board	Desktop Computer USB 3.0 Expansion Board
USBA-010	USBA-011	USBA-012
 <p>RoHS Compliant</p>	 <p>RoHS Compliant</p>	 <p>RoHS Compliant</p>
USB Type-A Female Cable	USB Type-A Right Angle Male Cable	USB Panel-Mount Type A Female Cable
USBA-013	USBA-014	USBA-015
 <p>RoHS Compliant</p>	 <p>RoHS Compliant</p>	 <p>RoHS Compliant</p>
USB Panel Mount Type-B Micro Male to Female Cable	USB Type-A Male to Micro-B Male Cable	USB Type-A Male to Micro-B Male Cable
USBA-016	USBA-018	USBA-019
 <p>RoHS Compliant</p>	 <p>RoHS Compliant</p>	 <p>RoHS Compliant</p>
USB Type-C to USB 12V Type-A Cable	USB Type-A Male to Micro USB 3.0 Male Cable	USB Type-A to M Series Cable

USB Cable

USB Type-A Cable

UNIT : mm

USBA-020	USBA-023	USBA-024
 <p>RoHS Compliant</p>	 <p>RoHS Compliant</p>	 <p>RoHS Compliant</p>

USB Type-A to M Series Cable

USB Panel-Mount Two Double Type A Jack Cable

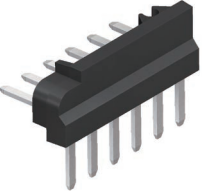

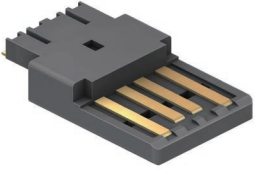
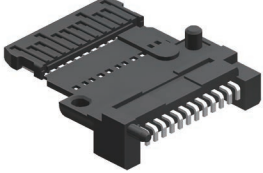
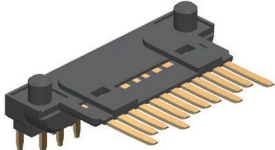
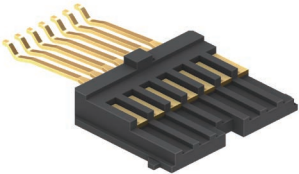
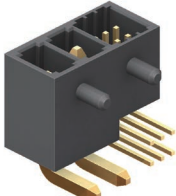
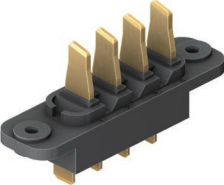
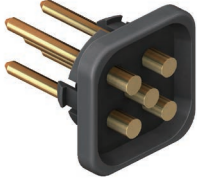



USB Type-A Female Waterproof Cable

USBA-025
 <p>RoHS Compliant</p>

USB Type-A Male Waterproof Cable

Insert Mold Technology

UNIT : mm

<p>9973MRT</p>  <p>RoHS Compliant</p>	<p>9976MRT</p>  <p>RoHS Compliant</p>	<p>9981MRT</p>  <p>RoHS Compliant</p>	<p>801-5075ARP-04-SM2</p>  <p>RoHS Compliant</p>
<p>801-5075MMR-08A2</p>  <p>RoHS Compliant</p>	<p>801-5077CS-24-SMC1-XX</p>  <p>RoHS Compliant</p>	<p>801-5077CR-24-SM1-01</p>  <p>RoHS Compliant</p>	<p>801-5077CR-24-SM1-02</p>  <p>RoHS Compliant</p>
<p>801-5077CR-24-SM1-03</p>  <p>RoHS Compliant</p>	<p>801-5522P-07G30-MD</p>  <p>RoHS Compliant</p>	<p>3512R-08T-PG</p>  <p>RoHS Compliant</p>	<p>9222R-02</p>  <p>RoHS Compliant</p>
<p>9883S-04N</p>  <p>RoHS Compliant</p>	<p>9977M-05G</p>  <p>RoHS Compliant</p>	<p>9978M-XXX</p>  <p>RoHS Compliant</p>	<p>9979M-XXX</p>  <p>RoHS Compliant</p>
<p>9980M-XXX</p>  <p>RoHS Compliant</p>	<p>9982M-XXX</p>  <p>RoHS Compliant</p>	<p>9983M-XXX</p>  <p>RoHS Compliant</p>	<p>6901MS-02G</p>  <p>RoHS Compliant</p>

Insert Mold Technology

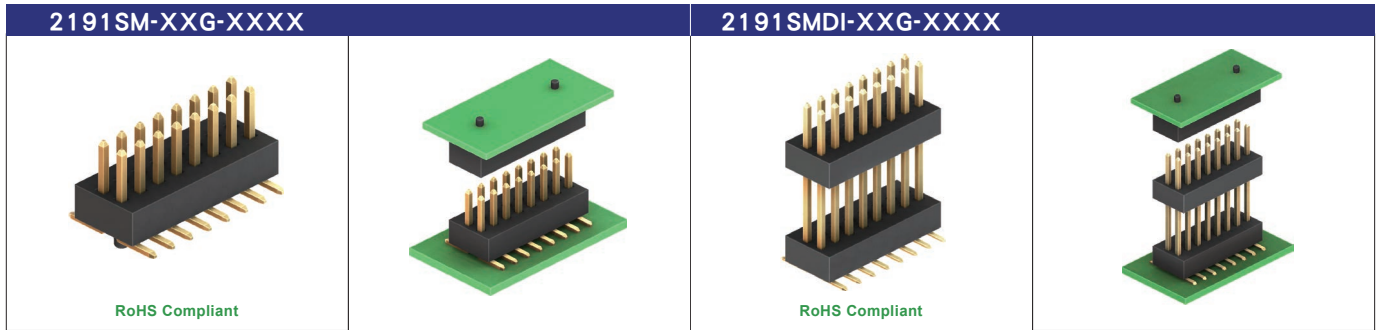
UNIT : mm

<p>6902MS-02G</p>  <p>RoHS Compliant</p>	<p>5517ATP-24SG30-151</p>  <p>RoHS Compliant</p>	<p>ICA-501-008</p>  <p>RoHS Compliant</p>	<p>2004P-XXG-H09</p>  <p>RoHS Compliant</p>
<p>2004S-XXG-H09</p>  <p>RoHS Compliant</p>	<p>2004P-XXG-A114</p>  <p>RoHS Compliant</p>	<p>2004S-XXG-A145</p>  <p>RoHS Compliant</p>	<p>2004S-XXG-A195</p>  <p>RoHS Compliant</p>
<p>2063P-XXG-245</p>  <p>RoHS Compliant</p>	<p>6905S-09G-2275</p>  <p>RoHS Compliant</p>	<p>9871S-30G</p>  <p>RoHS Compliant</p>	<p>2301PFR-XXT-A</p>  <p>RoHS Compliant</p>
<p>2213PFR-XXT-A</p>  <p>RoHS Compliant</p>	<p>2213PFS-XXX-XXXXF2</p>  <p>RoHS Compliant</p>	<p>2355PFR-XXT-A</p>  <p>RoHS Compliant</p>	<p>2213MS-XXX-BK-XXXX-F5</p>  <p>RoHS Compliant</p>

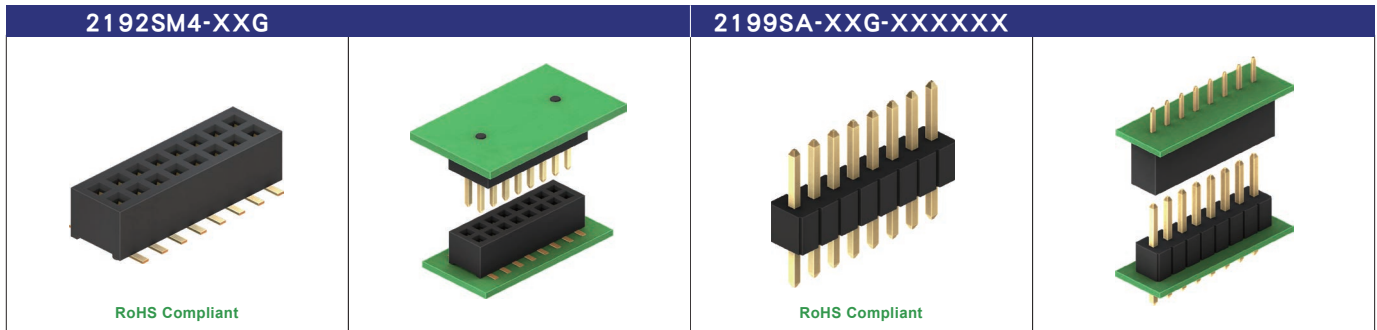
Pin Header & PCB Socket Series

1.00 / 1.27mm Pitch

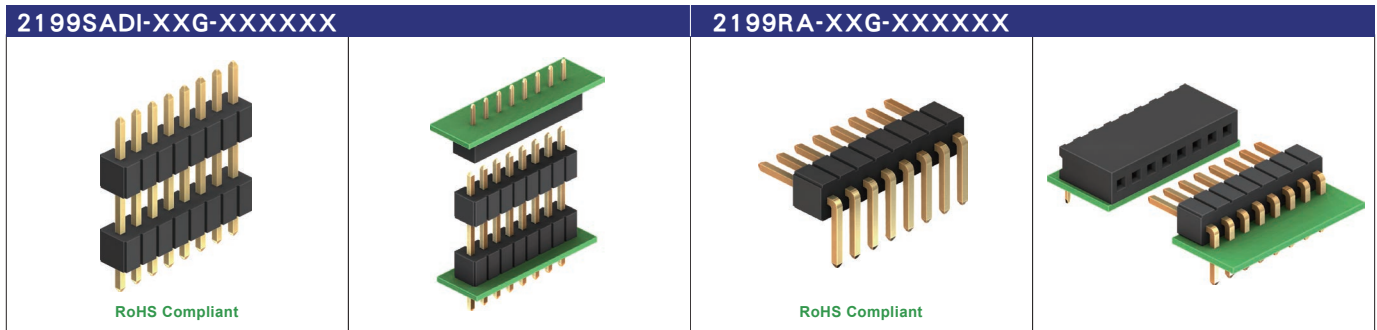
UNIT : mm



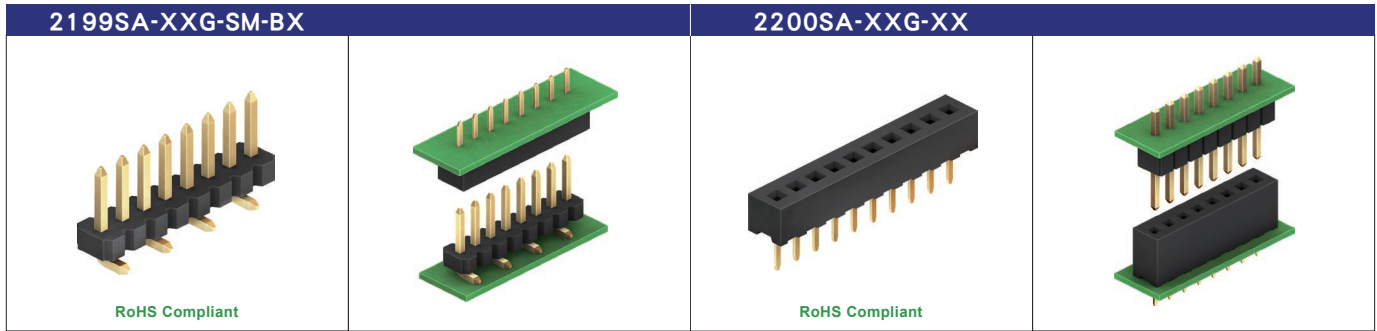
<p>2191SM-XXG-XXXX</p> <ul style="list-style-type: none"> Special Length No. of Contacts SMD Type <p>RoHS Compliant</p>	<p>2191SM-XXG-XXXX Series: 1.00mm Pin Header Double Rows SMD Type. Mating Part: 2192 Series.</p>	<p>2191SMDI-XXG-XXXX</p> <ul style="list-style-type: none"> Special Length No. of Contacts Double Insulators SMD Type <p>RoHS Compliant</p>	<p>2191SMDI-XXG-XXXX Series: 1.00mm Pin Header Double Rows Double Insulators SMD Type. Mating Part: 2192 Series.</p>
--	--	---	--



<p>2192SM4-XXG</p> <ul style="list-style-type: none"> No. of Contacts SMD Type <p>RoHS Compliant</p>	<p>2192SM4-XXG Series: 1.00mm PCB Socket Double Rows SMD Type. Mating Part: 2191 Series.</p>	<p>2199SA-XXG-XXXXXX</p> <ul style="list-style-type: none"> Special Length No. of Contacts Straight Type <p>RoHS Compliant</p>	<p>2199SA-XXG-XXXXXX Series: 1.27mm Pin Header Single Row Straight Type. Mating Part: 2200SA(RA) Series.</p>
--	--	---	--



<p>2199SADI-XXG-XXXXXX</p> <ul style="list-style-type: none"> Special Length No. of Contacts Double Insulators Straight Single Row <p>RoHS Compliant</p>	<p>2199SADI-XXG-XXXXXX Series: 1.27mm Pin Header Single Row Double Insulators Straight Type. Mating Part: 2200SA(RA) Series.</p>	<p>2199RA-XXG-XXXXXX</p> <ul style="list-style-type: none"> Special Length No. of Contacts Right Angle Type <p>RoHS Compliant</p>	<p>2199RA-XXG-XXXXXX Series: 1.27mm Pin Header Single Row Right Angle Type. Mating Part: 2200SA(RA) Series.</p>
--	--	--	---

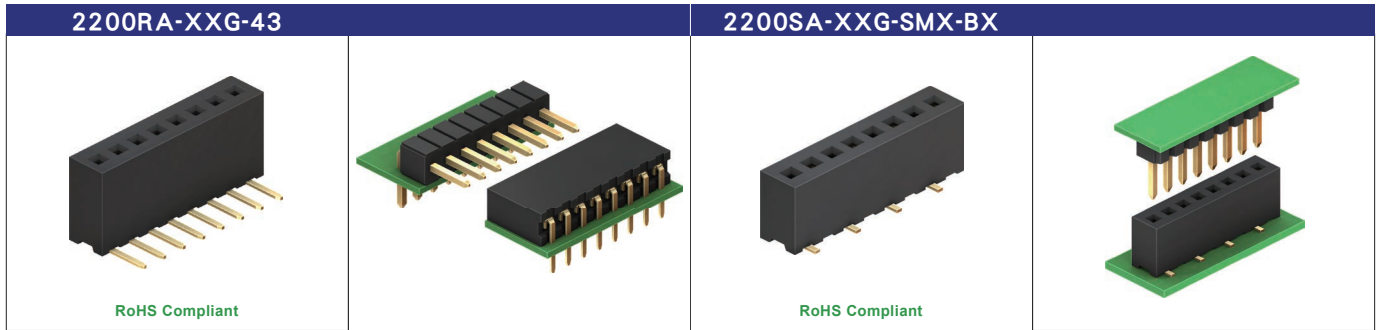


<p>2199SA-XXG-SM-BX</p> <ul style="list-style-type: none"> B1, B2 Type SMD Type No. of Contacts Straight Type <p>RoHS Compliant</p>	<p>2199SA-XXG-SM-BX Series: 1.27mm Pin Header Single Row SMD Type. Mating Part: 2200SA(RA) Series.</p>	<p>2200SA-XXG-XX</p> <ul style="list-style-type: none"> Dip Length A1, A2 Type No. of Contacts Straight Type <p>RoHS Compliant</p>	<p>2200SA-XXG-XX Series: 1.27mm PCB Socket Single Row Straight Type. Mating Part: 2199SA(RA) Series.</p>
---	--	--	--

Pin Header & PCB Socket Series

1.27mm Pitch

UNIT : mm

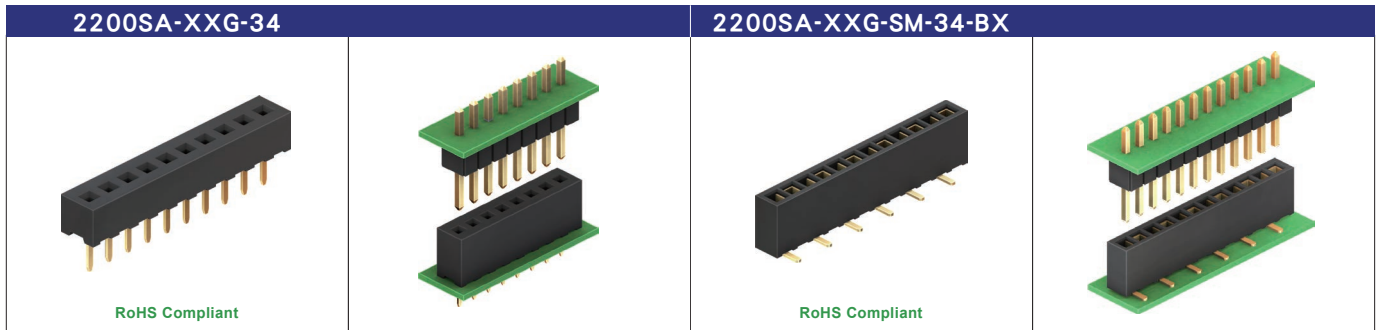


2200RA-XXG-43
 Insulator Height 43=4.30mm
 No. of Contacts
 Right Angle Type

2200RA-XXG-43 Series:
 1.27mm PCB Socket Single Row Right Angle Type.
 Mating Part: 2199SA(RA) Series.

2200SA-XXG-SMX-BX
 B1,B2 Type
 SM1: Insulator Height 4.5mm
 SM2: Insulator Height 2.3mm
 No. of Contacts
 Straight Type

2200SA-XXG-SM-BX Series:
 1.27mm PCB Socket Single Row SMD Type.
 Mating Part: 2199SA(RA) Series.

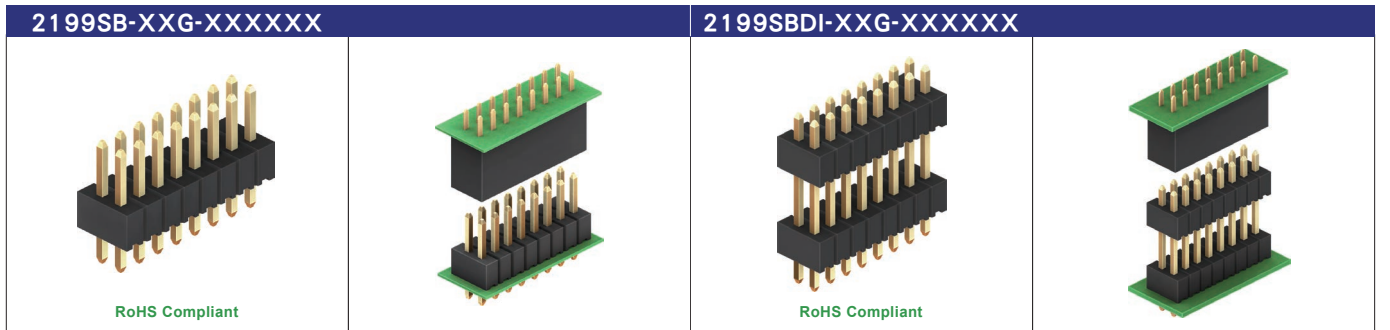


2200SA-XXG-34
 Insulator Height 34=3.40mm
 No. of Contacts
 Straight Type

2200SA-XXG-34 Series:
 1.27mm PCB Socket Single Row Bottom Closed Straight Type.
 Mating Part: 2199SA(RA) Series.

2200SA-XXG-SM-34-BX
 B1,B2 Type
 Insulator Height 34=3.40mm
 SMD Type
 No. of Contacts
 Straight Type

2200SA-XXG-SM-34-BX Series:
 1.27mm PCB Socket Single Row Bottom Closed SMD Type.
 Mating Part: 2199SA(RA) Series.

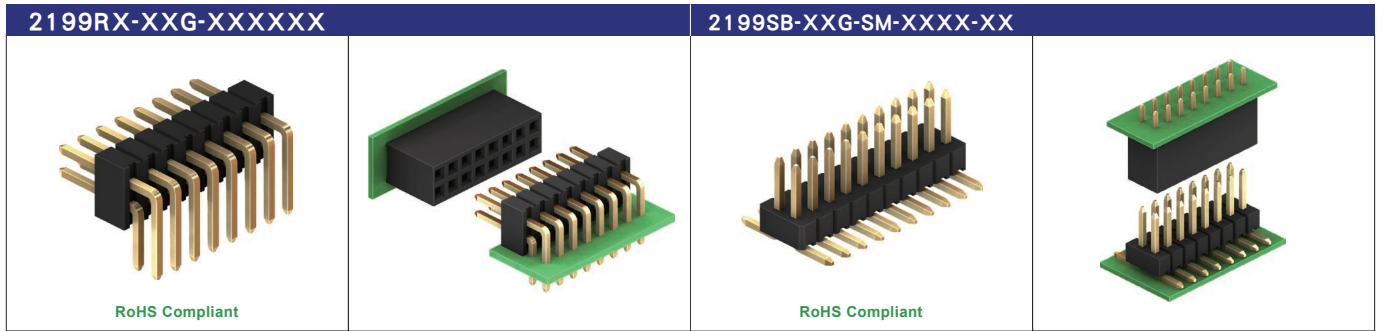


2199SB-XXG-XXXXXX
 Special Length
 No. of Contacts
 Straight Type

2199SB-XXG-XXXXXX Series:
 1.27mm Pin Header Double Rows Straight Type.
 Mating Part: 2200SB(TB) Series.

2199SBDI-XXG-XXXXXX
 Special Length
 No. of Contacts
 Double Insulators
 Straight Type

2199SBDI-XXG-XXXXXX Series:
 1.27mm Pin Header Double Rows Double Insulators Straight Type.
 Mating Part: 2200SB(TB) Series.



2199RX-XXG-XXXXXX
 Special Length
 No. of Contacts
 R0, R5 Type

2199RX-XXG-XXXXXX Series:
 1.27mm Pin Header Double Rows Right Angle Type.
 Mating Part: 2200SB(TB) Series.

2199SB-XXG-SM-XXXX-XX
 Blank: Standard
 PG: With Peg
 Special Length
 SMD Type
 No. of Contacts
 Straight Type

2199SB-XXG-SM-XXXX-XX Series:
 1.27mm Pin Header Double Rows SMD Type.
 Mating Part: 2200SB(TB) Series.

Pin Header & PCB Socket Series

1.27mm Pitch

UNIT : mm

2199SBDI-XXG-SM-XXXX-XX		2199RB-XXG-SM-XXXX	
RoHS Compliant		RoHS Compliant	

2199SBDI-XXG-SM-XXXX-XX Series: 1.27mm Pin Header Double Rows Double Insulators SMD Type. Mating Part: 2200SB(TB) Series.

2199RB-XXG-SM-XXXX Series: 1.27mm Pin Header Double Rows Double Insulators SMD Type. Mating Part: 2200BR Series.

Blank: Standard
 PG: With Peg
 Special Length
 SMD Type
 No. of Contacts
 Double Insulators
 Straight Type

Special Length
 SMD Type
 No. of Contacts
 Right Angle Type

2200SB-XXG-XX		2200SB-XXG-SM-23-XX	
RoHS Compliant		RoHS Compliant	

2200SB-XXG-XX Series: 1.27mm PCB Socket Double Rows Straight Type(H=4.5). Mating Part: 2199SB(RX) Series.

2200SB-XXG-SM-23-XX Series: 1.27mm PCB Socket Double Rows SMD Type(H=2.3). Mating Part: 2199SB(RX) Series.

Dip Length
 A1=2.2mm
 A2=3.0mm
 A3=2.4mm
 No. of Contacts
 Straight Type

Blank: Standard
 PG: With Peg
 Total Height: 2.3mm
 SMD Type
 No. of Contacts
 Straight Type

2200TB-XXG-SM-23-XX		2200SB-XXG-SM-XX-XX	
RoHS Compliant		RoHS Compliant	

2200TB-XXG-SM-23-XX Series: 1.27mm PCB Socket Double Rows Bottom Entry SMD Type(H=2.3). Mating Part: 2199SB(RX) Series.

2200SB-XXG-SM-XX-XX Series: 1.27mm PCB Socket Double Rows SMD Type. Mating Part: 2199SB(RX) Series.

Blank: Standard
 PG: With Peg
 Total Height: 2.3mm
 SMD Type
 No. of Contacts
 Bottom Entry

Blank: Standard
 PG: With Peg
 Total Height: 3.6/4.5mm
 SMD Type
 No. of Contacts
 Straight Type

2105XX		2200BR-XXG-XX	
RoHS Compliant		RoHS Compliant	

2105XX Series: 1.27mm Mini Jumper. Mating Part: 2199SB(RX) Series.

2200BR-XXG-XX Series: 1.27mm PCB Socket Double Rows SMD Type. Mating Part: 2199SB(RX) Series.

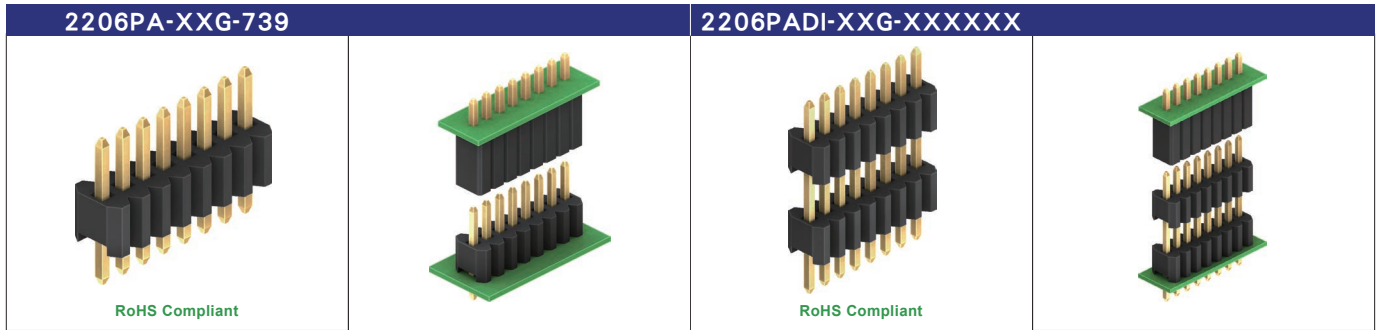
BG: 3.0mm Height Close Type
 GG: 5.5mm Height Close Type

Blank: Dip Type
 SM: SMD Type
 No. of Contacts
 Horizontal Entry Type

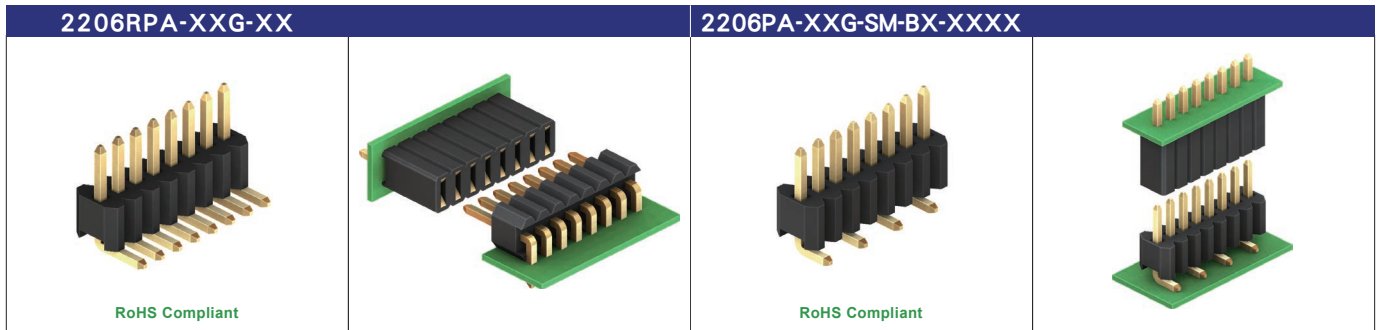
Pin Header & PCB Socket Series

1.27X2.54mm Pitch

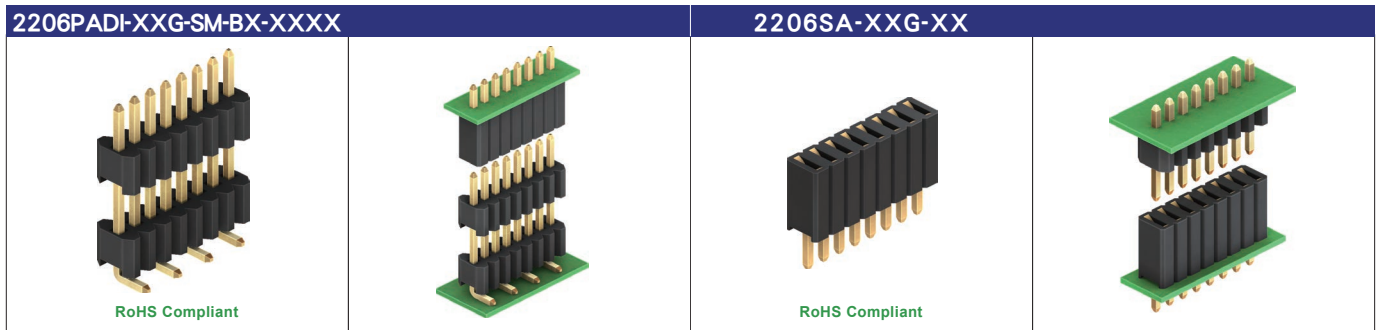
UNIT : mm



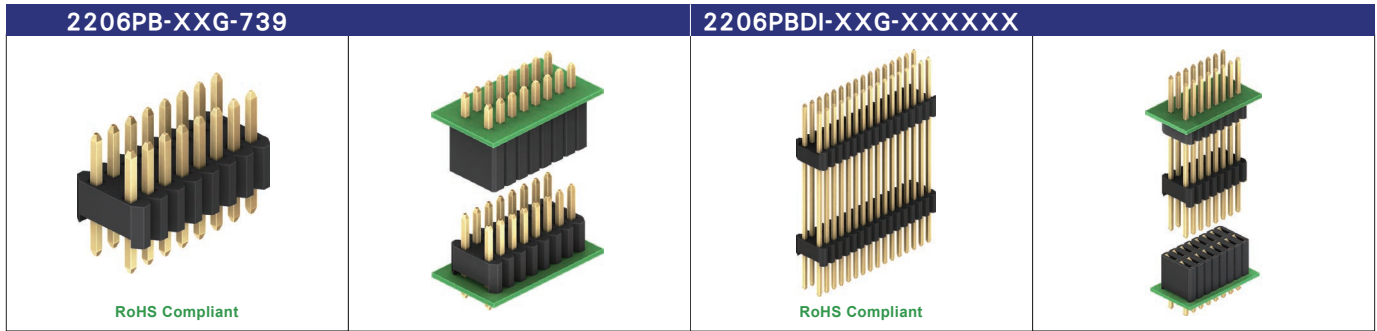
<p>2206PA-XXG-739</p> <p>2206PA-XXG-739 Series: 1.27X2.54mm Pin Header Single Row Plug Straight Dip Type. Mating Part: 2206SA Series.</p>	<p>2206PADI-XXG-XXXXXX</p> <p>2206PADI-XXG-XXXXXX Series: 1.27X2.54mm Pin Header Single Row Plug Double Insulators Straight Dip Type. Mating Part: Mating 2206SA Series.</p>
--	---



<p>2206RPA-XXG-XX</p> <p>2206RPA-XXG-XX Series: 1.27X2.54mm Pin Header Single Row Plug R/A Dip Type. Mating Part: 2206SA Series.</p>	<p>2206PA-XXG-SM-BX-XXXX</p> <p>2206PA-XXG-SM-BX-XXXX Series: 1.27X2.54mm Pin Header Single Row Plug SMD Type. Mating Part: Mating 2206SA Series.</p>
---	--



<p>2206PADI-XXG-SM-BX-XXXX</p> <p>2206PADI-XXG-SM-BX-XXXX Series: 1.27X2.54mm Pin Header Single Row Plug Double Insulators SMD Type. Mating Part: Mating 2206SA Series.</p>	<p>2206SA-XXG-XX</p> <p>2206SA-XXG-XX Series: 1.27X2.54mm PCB Socket Single Row Straight Dip Type. Mating Part: 2206PA(RPA) Series.</p>
--	--

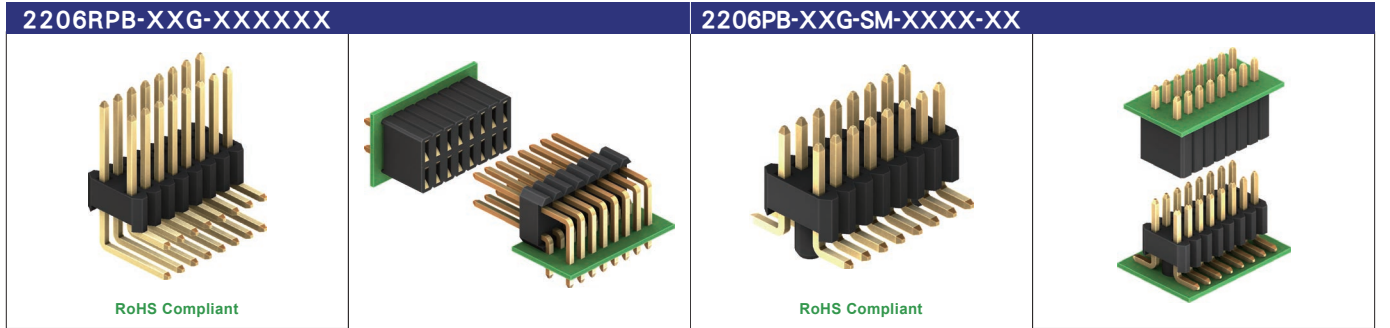


<p>2206PB-XXG-739</p> <p>2206PB-XXG-739 Series: 1.27X2.54mm Pin Header Double Rows Plug Straight Dip Type. Mating Part: 2206SB (SMD Type) Series.</p>	<p>2206PBDI-XXG-XXXXXX</p> <p>2206PBDI-XXG-XXXXXX Series: 1.27X2.54mm Pin Header Double Rows Plug Double Insulator Straight Dip Type. Mating Part: 2206SB(SMD Type) Series.</p>
--	--

Pin Header & PCB Socket Series

1.27X2.54 / 2.00mm Pitch

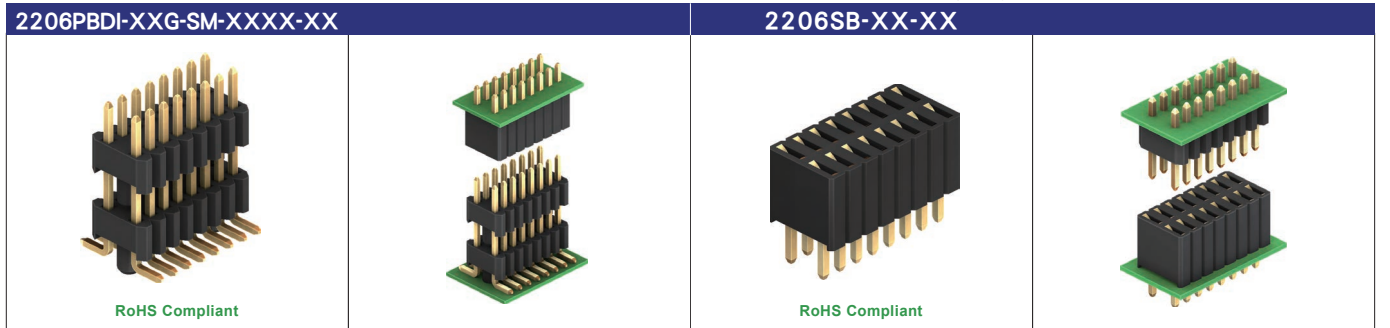
UNIT : mm



2206RPB-XXG-XXXXXX Special Length No. of Contacts Right Angle Type
2206PB-XXG-SM-XXXX-XX Blank: Standard PG: With Peg Pin Length SMD Type No. of Contacts Straight Type

2206RPB-XXG-XXXXXX Series: 1.27X2.54mm Pin Header Double Rows Plug R/A Dip Type. Mating Part: 2206SB(SMD Type) Series.

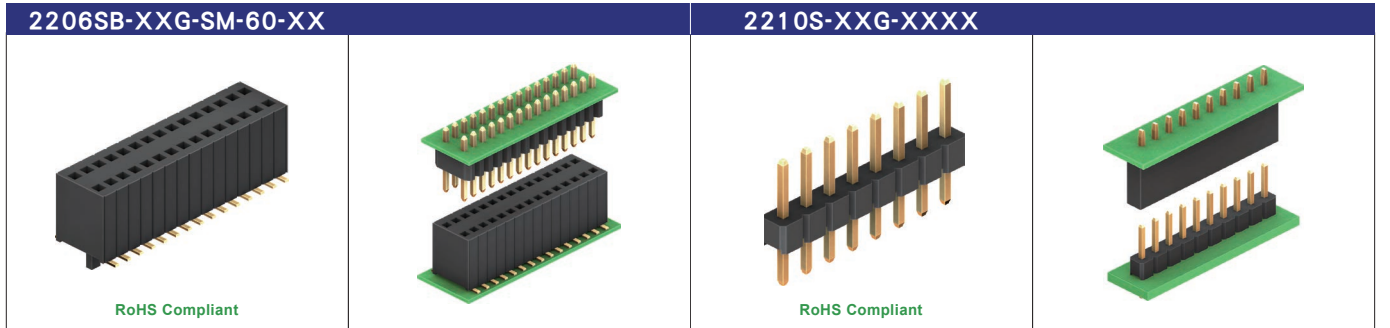
2206PB-XXG-SM-XXXX-XX Series: 1.27X2.54mm Pin Header Double Rows Plug SMD Type. Mating Part: 2206SB (SMD Type) Series.



2206PBDI-XXG-SM-XXXX-XX Blank: Standard PG: With Peg Pin Length SMD Type No. of Contacts Double Insulators
2206SB-XX-XX Insulator Height 46=4.60mm 85=8.50mm No. of Contacts Straight Type

2206PBDI-XXG-SM-XXXX-XX Series: 1.27X2.54mm Pin Header Double Rows Double Insulators Plug SMD. Mating Part: 2206SB (SMD Type) Series.

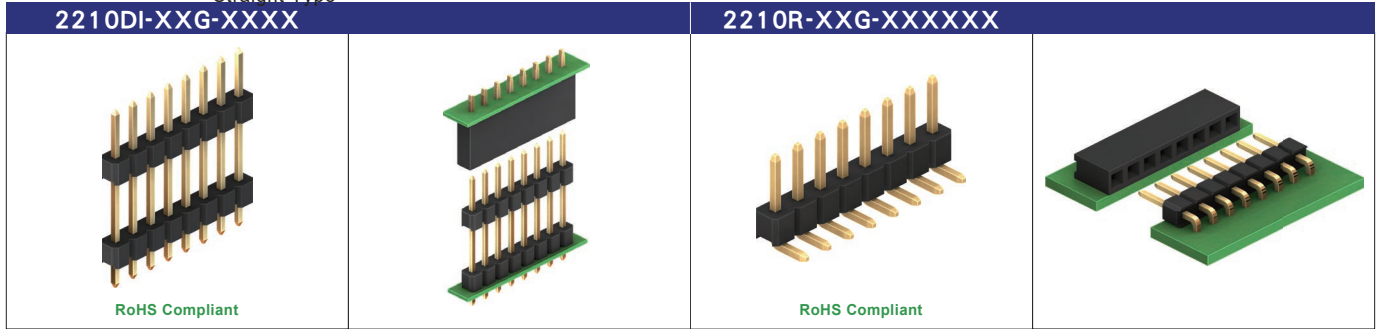
2206SB-XX-XX Series: 1.27X2.54mm PCB Socket Double Rows Straight Dip Type. Mating Part: 2206PB(PBDI)(RPB) Series.



2206SB-XXG-SM-60-XX Blank: Standard PG: With Peg Total Height 60=6.00mm SMD Type No. of Contacts Straight Type
2210S-XXG-XXXX Special Length Blank: Standard No. of Contacts Straight Type

2206SB-XXG-SM-60-XX Series: 1.27X2.54mm PCB Socket Double Rows SMD Type(H=6.0). Mating Part: 2206PB(PBDI)(RPB) Series.

2210S-XXG-XXXX Series: 2.00mm Pin Header Single Row Straight Dip Type. Mating Part: 2209S(R)(SM) Series.



2210DI-XXG-XXXX Special Length No. of Contacts Double Insulators
2210R-XXG-XXXXXX Special Length Blank: Standard No. of Contacts Right Angle Type

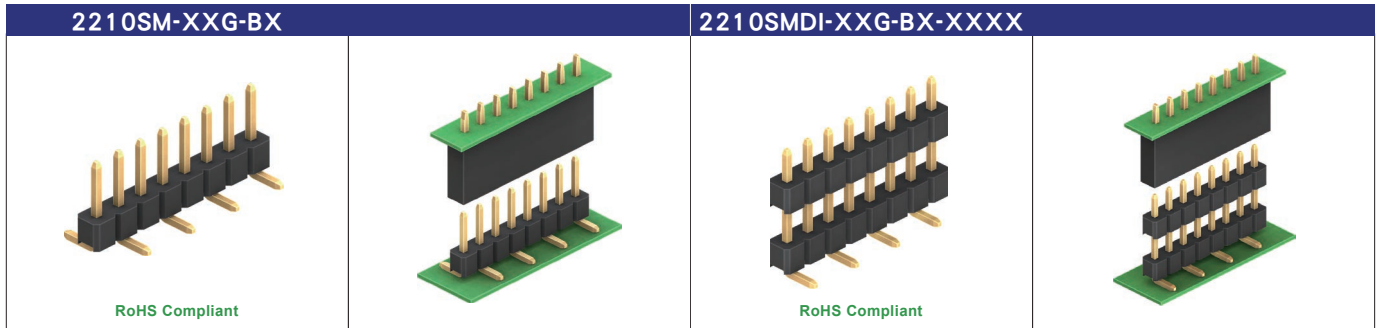
2210DI-XXG-XXXX Series: 2.00mm Pin Header Single Row Double Insulator Straight Dip Type. Mating Part: 2209S(R)(SM) Series.

2210R-XXG-XXXXXX Series: 2.00mm Pin Header Single Row Right Angle Dip Type. Mating Part: 2209S(R)(SM) Series.

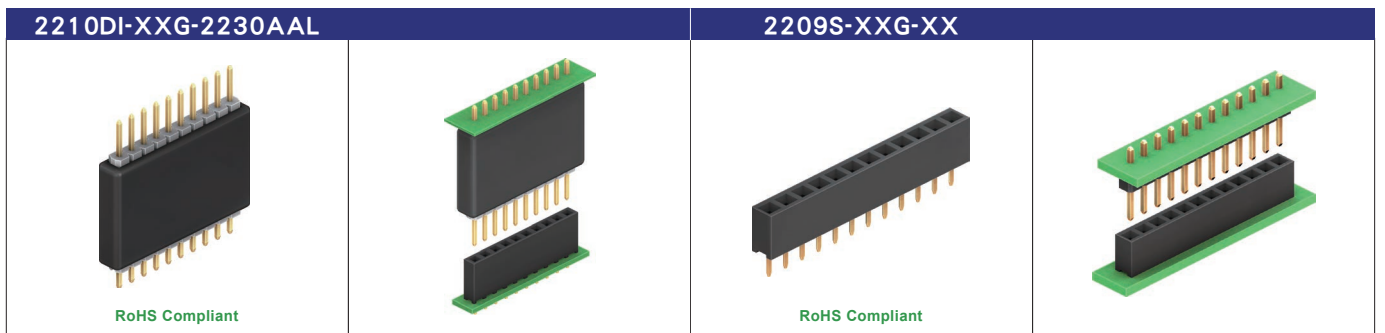
Pin Header & PCB Socket Series

2.00mm Pitch

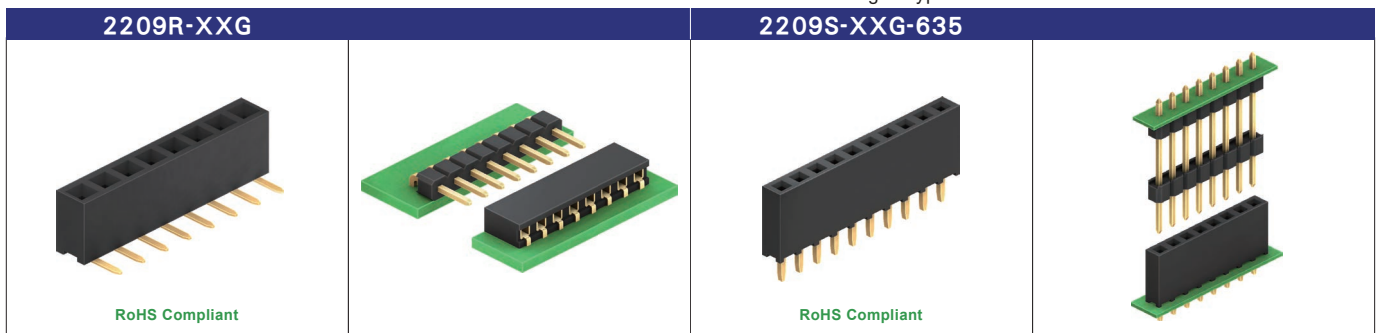
UNIT : mm



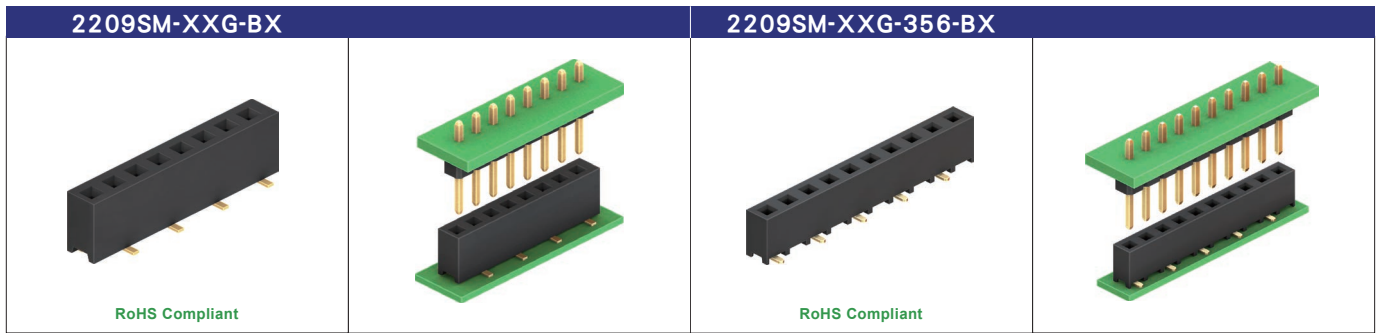
<p>2210SM-XXG-BX</p> <ul style="list-style-type: none"> B1, B2 Type No. of Contacts SMD Type <p>RoHS Compliant</p>	<p>2210SM-XXG-BX Series: 2.00mm Pin Header Single Row SMD Type. Mating Part: 2209S(R)(SM) Series.</p>	<p>2210SMDI-XXG-BX-XXXX</p> <ul style="list-style-type: none"> Special Length B1, B2 Type No. of Contacts Double Insulators SMD Type <p>RoHS Compliant</p>	<p>2210SMDI-XXG-BX-XXXX Series: 2.00mm Pin Header Single Row Double Insulator SMD Type. Mating Part: 2209S(R)(SM) Series.</p>
---	---	---	---



<p>2210DI-XXG-2230AAL</p> <ul style="list-style-type: none"> Product Code Special Length No. of Contacts Double Insulators <p>RoHS Compliant</p>	<p>2210DI-XXG-2230AAL Series: 2.00mm Pin Header Molding Single Row Straight EMI Shielding Type Mating Part: 2209 Series.</p>	<p>2209S-XXG-XX</p> <ul style="list-style-type: none"> Dip Length Blank Standard 2.4mm 12=1.20mm 16=1.60mm 32=3.20mm No. of Contacts Straight Type <p>RoHS Compliant</p>	<p>2209S-XXG-XX Series: 2.00mm PCB Socket Single Row Straight Dip Type(H=4.3). Mating Part: 2210S(R)(SM) Series.</p>
--	--	---	--



<p>2209R-XXG</p> <ul style="list-style-type: none"> No. of Contacts Right Angle Type <p>RoHS Compliant</p>	<p>2209R-XXG Series: 2.00mm PCB Socket Single Row R/A Dip Type(H=2.4). Mating Part: 2210S(R)(SM) Series.</p>	<p>2209S-XXG-635</p> <ul style="list-style-type: none"> Insulator Height 635=6.35mm No. of Contacts Straight Type <p>RoHS Compliant</p>	<p>2209S-XXG-635 Series: 2.00mm PCB Socket Single Row Straight Dip Type(H=6.35). Mating Part: 2210S(R)(SM) Series.</p>
--	--	---	--

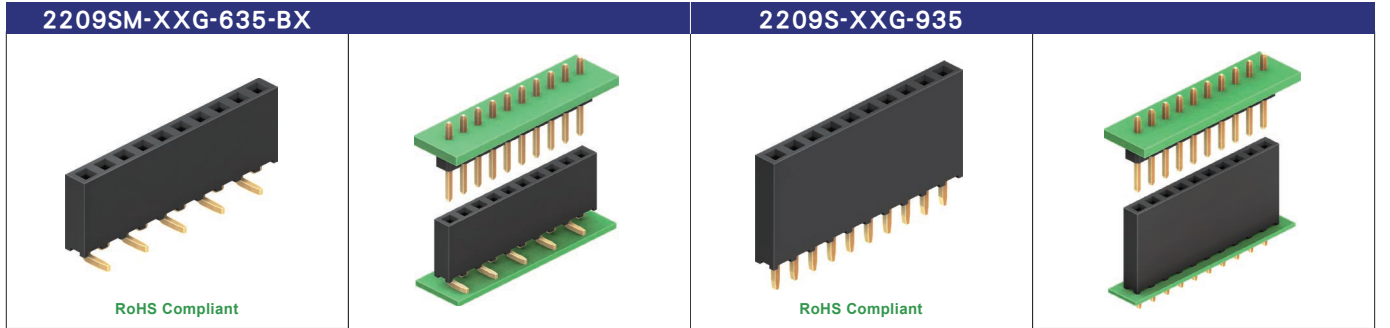


<p>2209SM-XXG-BX</p> <ul style="list-style-type: none"> B1, B2 Type No. of Contacts SMD Type <p>RoHS Compliant</p>	<p>2209SM-XXG-BX Series: 2.00mm PCB Socket Single Row SMD Type(H=4.5). Mating Part: 2210S(R)(SM) Series.</p>	<p>2209SM-XXG-356-BX</p> <ul style="list-style-type: none"> B1, B2 Type Total Height 356=3.56mm No. of Contacts SMD Type <p>RoHS Compliant</p>	<p>2209SM-XXG-356-BX Series: 2.00mm PCB Socket Single Row SMD Type(H=3.56). Mating Part: 2210S(R)(SM) Series.</p>
---	--	---	---

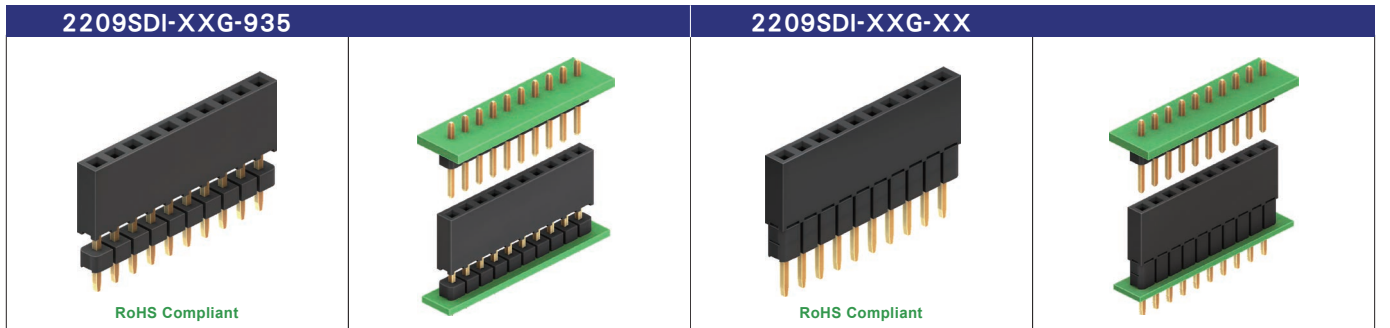
Pin Header & PCB Socket Series

2.00mm Pitch

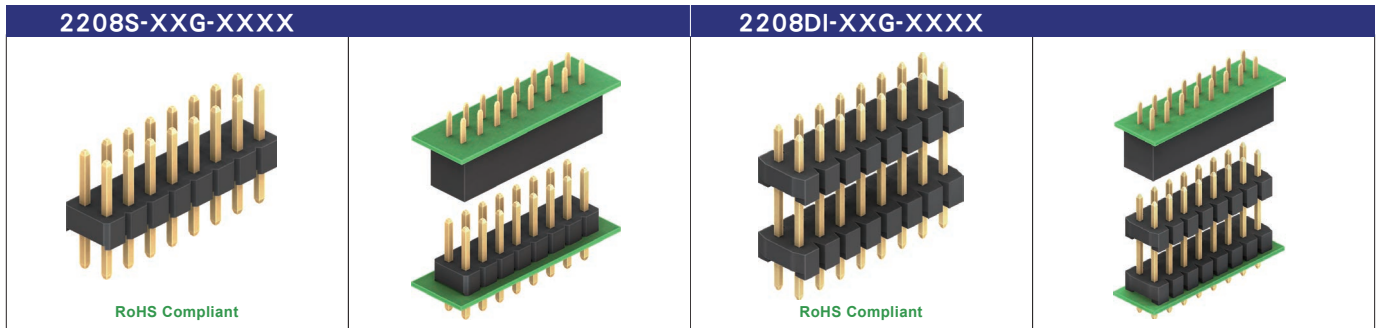
UNIT : mm



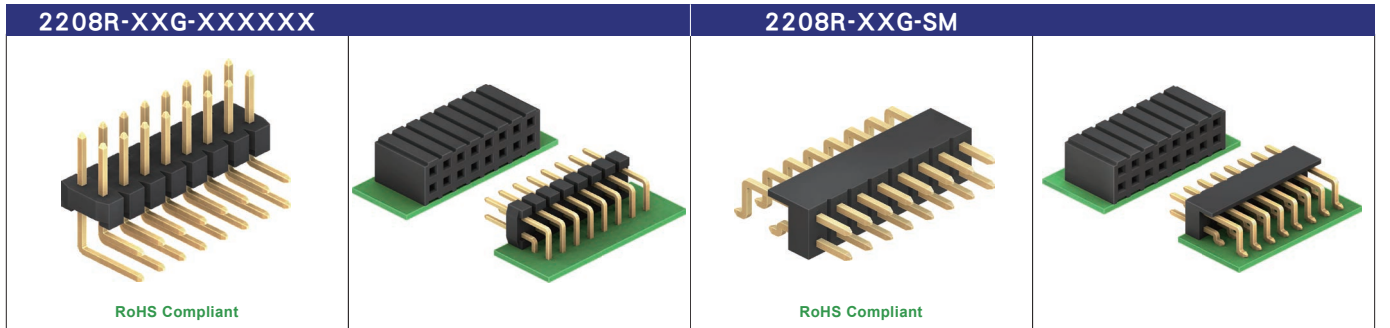
<p>2209SM-XXG-635-BX</p> <ul style="list-style-type: none"> RoHS Compliant <p>2209SM-XXG-635-BX BX: B1, B2 Type Total Height 635=6.35mm No. of Contacts SMD Type</p>	<p>2209SM-XXG-635-BX Series: 2.00mm PCB Socket Single Row SMD Type(H=6.35). Mating Part: 2210S(R)(SM) Series.</p>	<p>2209S-XXG-935</p> <ul style="list-style-type: none"> RoHS Compliant <p>2209S-XXG-935 Insulator Height 935=9.35mm No. of Contacts Straight Type</p>	<p>2209S-XXG-935 Series: 2.00mm PCB Socket Single Row Straight Dip Type(H=9.35). Mating Part: 2210S(R)(SM) Series.</p>
---	---	---	--



<p>2209SDI-XXG-935</p> <ul style="list-style-type: none"> RoHS Compliant <p>2209SDI-XXG-935 Special Length 935: Standard No. of Contacts Elevated Type Straight Type</p>	<p>2209SDI-XXG-935 Series: 2.00mm PCB Socket Single Row Dual Body Elevated Straight Dip Type. Mating Part: 2210S(R)(SM) Series.</p>	<p>2209SDI-XXG-XX</p> <ul style="list-style-type: none"> RoHS Compliant <p>2209SDI-XXG-XX Special Length 1A, 2B, 3A, 4B, 5A Type No. of Contacts Elevated Type Straight Type</p>	<p>2209SDI-XXG-XX Series: 2.00mm PCB Socket Single Row Dual Body Elevated Straight Dip Type. Mating Part: 2210S(R)(SM) Series.</p>
---	---	--	--



<p>2208S-XXG-XXXX</p> <ul style="list-style-type: none"> RoHS Compliant <p>2208S-XXG-XXXX Special Length Blank: Standard No. of Contacts Straight Type</p>	<p>2208S-XXG-XXXX Series: 2.00mm Pin Header Double Rows Straight Dip Type Mating Part: 2207S(R)(SM)(BR) Series.</p>	<p>2208DI-XXG-XXXX</p> <ul style="list-style-type: none"> RoHS Compliant <p>2208DI-XXG-XXXX Special Length No. of Contacts Double Insulators</p>	<p>2208DI-XXG-XXXX Series: 2.00mm Pin Header Double Rows Double Insulator Straight Dip Type Mating Part: 2207S(R)(SM)(BR) Series.</p>
--	---	---	---

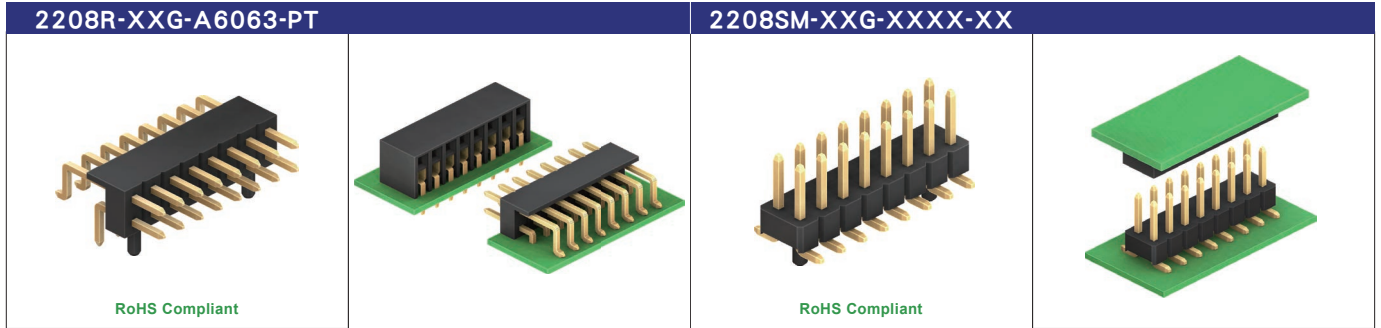


<p>2208R-XXG-XXXXXX</p> <ul style="list-style-type: none"> RoHS Compliant <p>2208R-XXG-XXXXXX Special Length Blank: Standard No. of Contacts Right Angle Type</p>	<p>2208R-XXG-XXXXXX Series: 2.00mm Pin Header Double Rows R/A Dip Type Mating Part: 2207S(R)(SM)(BR) Series.</p>	<p>2208R-XXG-SM</p> <ul style="list-style-type: none"> RoHS Compliant <p>2208R-XXG-SM SMD Type No. of Contacts Right Angle Type</p>	<p>2208R-XXG-SM Series: 2.00mm Pin Header Double Rows R/A SMD Type Mating Part: 2207S(R)(SM)(BR) Series.</p>
---	--	--	--

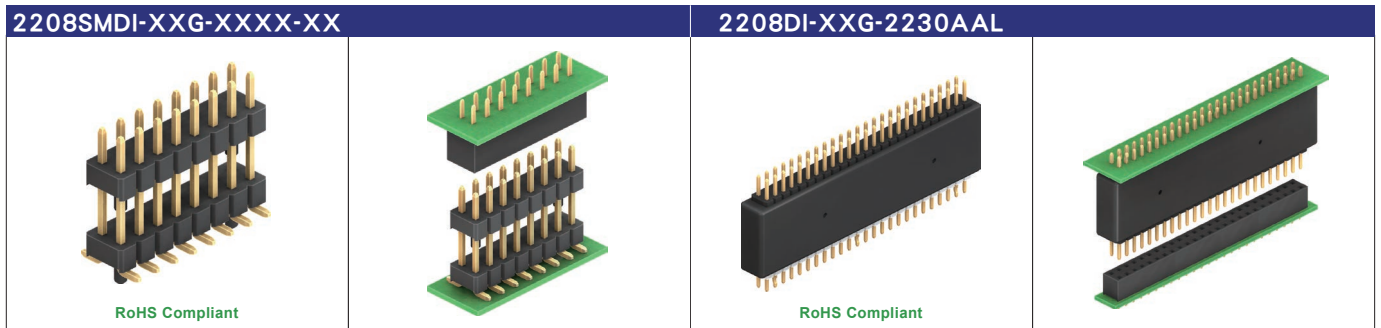
Pin Header & PCB Socket Series

2.00mm Pitch

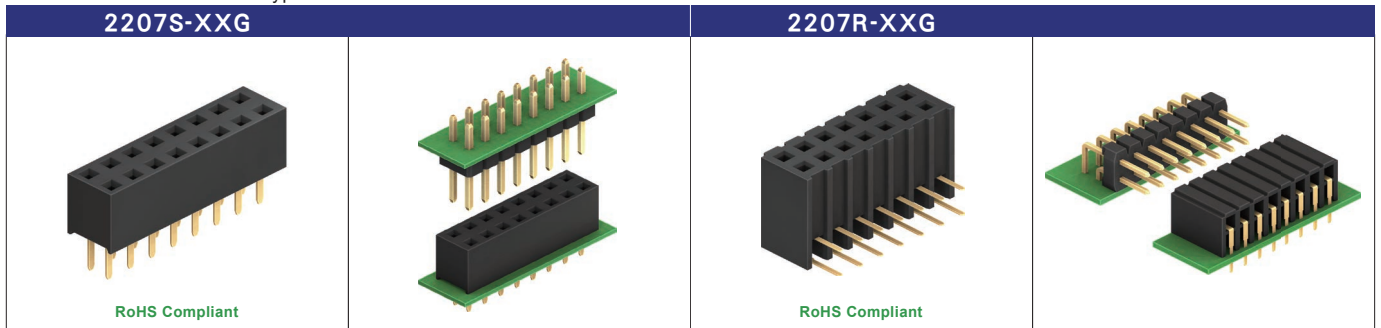
UNIT : mm



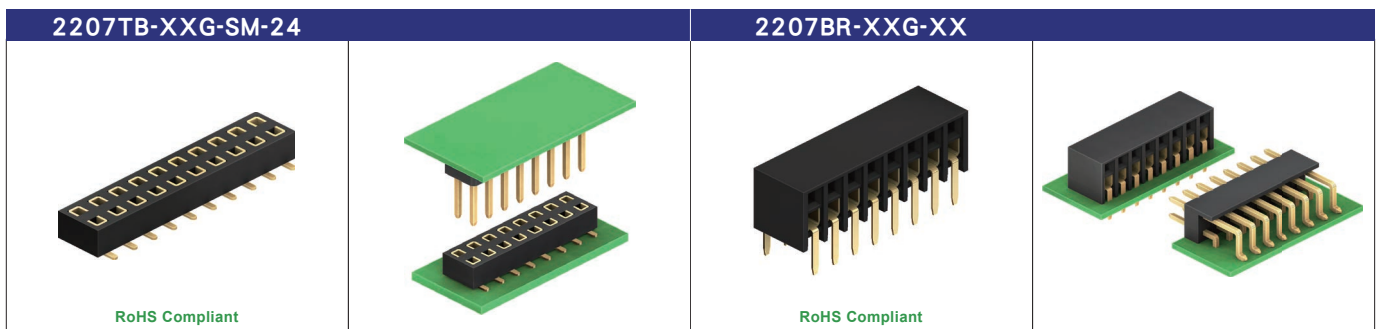
<p>2208R-XXG-A6063-PT</p> <ul style="list-style-type: none"> PT: Post+Tube PR: Post+Tape&Reel Special Length No. of Contacts Right Angle Type 	<p>2208R-XXG-A60632-XX Series: 2.00mm Pin Header Horizontal Entry R/A SMD & Dip Type. Mating Part: 2207BR-XXG-(SM) Series.</p>	<p>2208SM-XXG-XXXX-XX</p> <ul style="list-style-type: none"> Blank: Standard PG: With Peg Length No. of Contacts SMD Type 	<p>2208SM-XXG-XXXX-XX Series: 2.00mm Pin Header Double Rows SMD Type. Mating Part: 2207S(R)(SM)(BR) Series.</p>
--	--	--	---



<p>2208SMDI-XXG-XXXX-XX</p> <ul style="list-style-type: none"> Blank: Standard PG: With Peg Pin Length No. of Contacts Double Insulators SMD Type 	<p>2208SMDI-XXG-XXXX-XX Series: 2.00mm Pin Header Double Rows Double Insulator SMD Type. Mating Part: 2207S(R)(SM)(BR) Series.</p>	<p>2208DI-XXG-2230AAL</p> <ul style="list-style-type: none"> Product Code Special Length No. of Contacts Double Insulators 	<p>2208DI-XXG-2230AAL Series: 2.00mm Pin Header Molding Double Rows Straight EMI Shielding Type Mating Part: 2207 Series.</p>
---	--	--	---



<p>2207S-XXG</p> <ul style="list-style-type: none"> No. of Contacts Straight Type 	<p>2207S-XXG Series: 2.00mm PCB Socket Double Rows Straight Dip Type(H=4.3). Mating Part: 2208S(DI)(R)(SM)(SMDI) Series.</p>	<p>2207R-XXG</p> <ul style="list-style-type: none"> No. of Contacts Right Angle Type 	<p>2207R-XXG Series: 2.00mm PCB Socket Double Rows Right Angle Dip Type(H=4.85). Mating Part: 2208S(DI)(R)(SM)(SMDI) Series.</p>
---	--	--	--

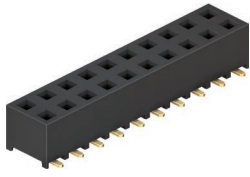
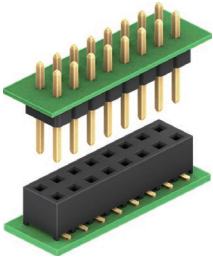
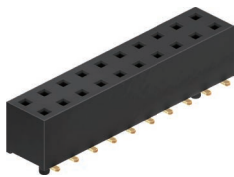
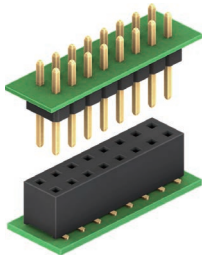
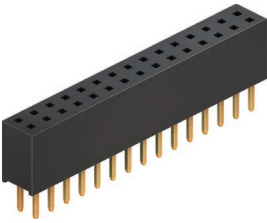
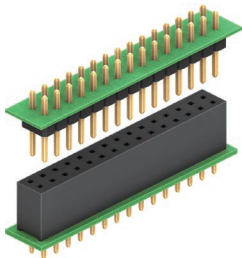
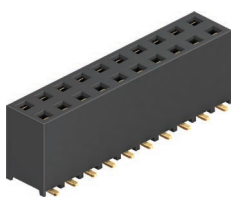
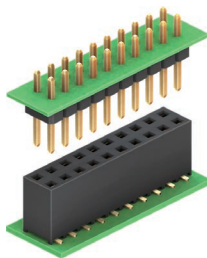
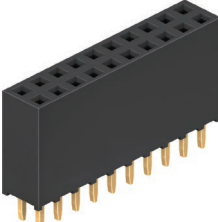
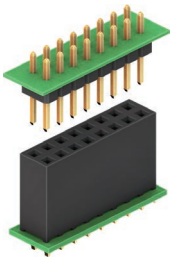
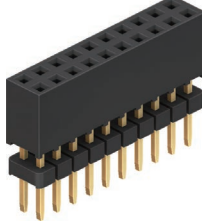
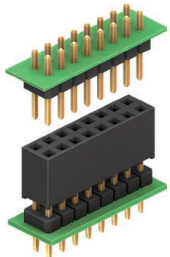
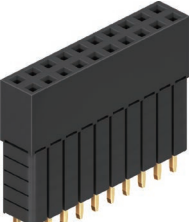
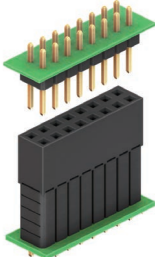
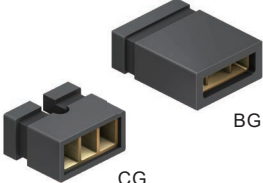
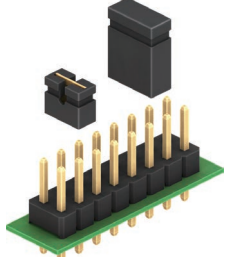


<p>2207TB-XXG-SM-24</p> <ul style="list-style-type: none"> Total Height 24=2.4mm SMD Type No. of Contacts Bottom Entry Type 	<p>2207TB-XXG-SM-24 Series: 2.00mm PCB Socket Double Rows SMD Type(H=2.4). Mating Part: 2208S(DI)(R)(SM)(SMDI) Series.</p>	<p>2207BR-XXG-XX</p> <ul style="list-style-type: none"> Blank: Dip Type SM: SMD Type No. of Contacts Horizontal Entry Type 	<p>2207BR-XXG-XX Series: 2.00mm PCB Socket Double Rows Horizontal Entry Type. Mating Part: 2208S(R)(SM)(BR) Series.</p>
---	--	--	---

Pin Header & PCB Socket Series

2.00mm Pitch

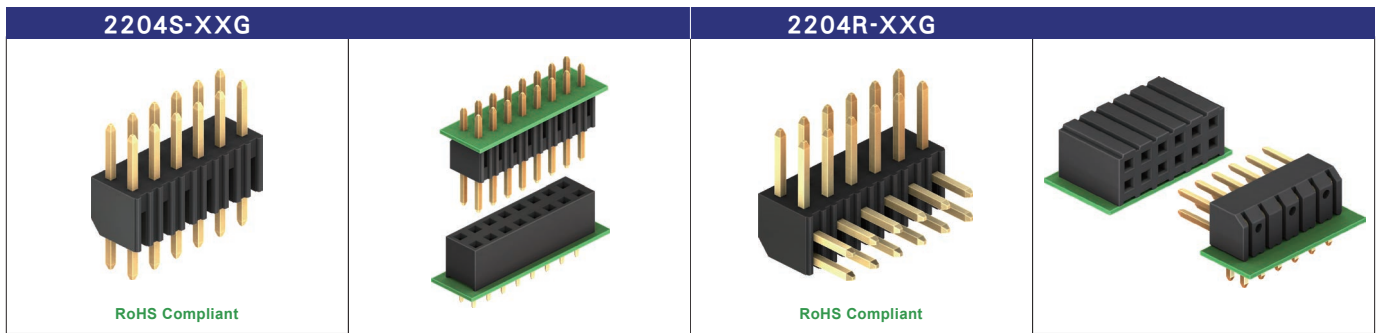
UNIT : mm

2207SM-XXG-356		2207SM-XXG-45-XX	
			
RoHS Compliant		RoHS Compliant	
<p>2207SM-XXG-356</p> <ul style="list-style-type: none"> Total Height 356=3.56mm No. of Contacts SMD Type 	<p>2207SM-XXG-356 Series: 2.00mm PCB Socket Double Rows SMD Type(H=3.56). Mating Part: 2208S(DI)(R)(SM)(SMDI).</p>	<p>2207SM-XXG-45-XX</p> <ul style="list-style-type: none"> Blank: Standard PG: With Peg Total Height 45=4.5mm No. of Contacts SMD Type 	<p>2207SM-XXG-45 Series: 2.00mm PCB Socket Double Rows SMD Type(H=4.5). Mating Part: 2208S(DI)(R)(SM)(SMDI) Series.</p>
2207S-XXG-635		2207SM-XXG-635	
			
RoHS Compliant		RoHS Compliant	
<p>2207S-XXG-635</p> <ul style="list-style-type: none"> Insulator Height 635=6.35mm No. of Contacts Straight Type 	<p>2207S-XXG-635 Series: 2.00mm PCB Socket Double Rows Straight Dip Type(H=6.35). Mating Part: 2208S(DI)(R)(SM)(SMDI) Series.</p>	<p>2207SM-XXG-635</p> <ul style="list-style-type: none"> Insulator Height 635=6.35mm No. of Contacts SMD Type 	<p>2207SM-XXG-635 Series: 2.00mm PCB Socket Double Rows SMD Type(H=6.35). Mating Part: 2208S(DI)(R)(SM)(SMDI) Series.</p>
2207S-XXG-935		2207SDI-XXG-935	
			
RoHS Compliant		RoHS Compliant	
<p>2207S-XXG-935</p> <ul style="list-style-type: none"> Insulator Height 935=9.35mm No. of Contacts Straight Type 	<p>2207S-XXG-935 Series: 2.00mm PCB Socket Double Rows Straight Dip Type(H=9.35). Mating Part: 2208S(DI)(R)(SM)(SMDI) Series.</p>	<p>2207SDI-XXG-935</p> <ul style="list-style-type: none"> Special Length 935: Standard No. of Contacts Elevated Type Straight Type 	<p>2207SDI-XXG-935 Series: 2.00mm PCB Socket Double Rows Dual Body Elevated Straight Dip Type. Mating Part: 2208S(R)(SM) Series.</p>
2207SDI-XXG-XX		2205XX	
			
RoHS Compliant		RoHS Compliant	
<p>2207SDI-XXG-XX</p> <ul style="list-style-type: none"> Special Length 1A,2B,3A,4B,5A Type No. of Contacts Elevated Type Straight Type 	<p>2207SDI-XXG-XX Series: 2.00mm PCB Socket Double Rows Dual Body Elevated Straight Dip Type. Mating Part: 2208S(R)(SM) Series.</p>	<p>2205XX</p> <ul style="list-style-type: none"> CG: 3.50mm Height Open Type BG: 5.00mm Height Close Type 	<p>2205XX Series: 2.00mm Mini Jumper. Mating Part: 2210(2208) Series.</p>

Pin Header & PCB Socket Series

2.00mm Pitch

UNIT : mm

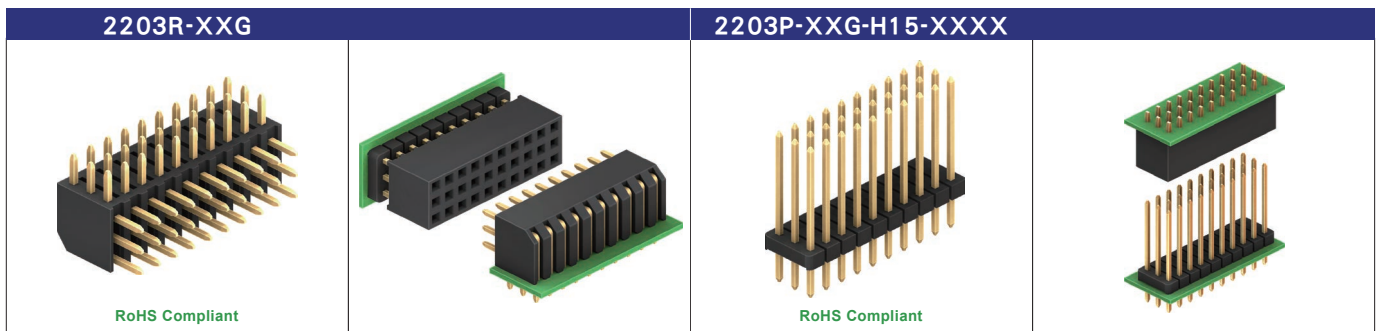


2204S-XXG
No. of Contacts
Straight Type

2204S-XXG Series:
2.00mm Wide Body Header Double
Rows Straight Dip Type.
Mating Part:
2207S(R)(SM)(BR) Series.

2204R-XXG
No. of Contacts
Right Angle Type

2204R-XXG Series:
2.00mm Wide Body Header Double
Rows Right Angle Dip Type.
Mating Part:
2207S(R)(SM)(BR) Series.

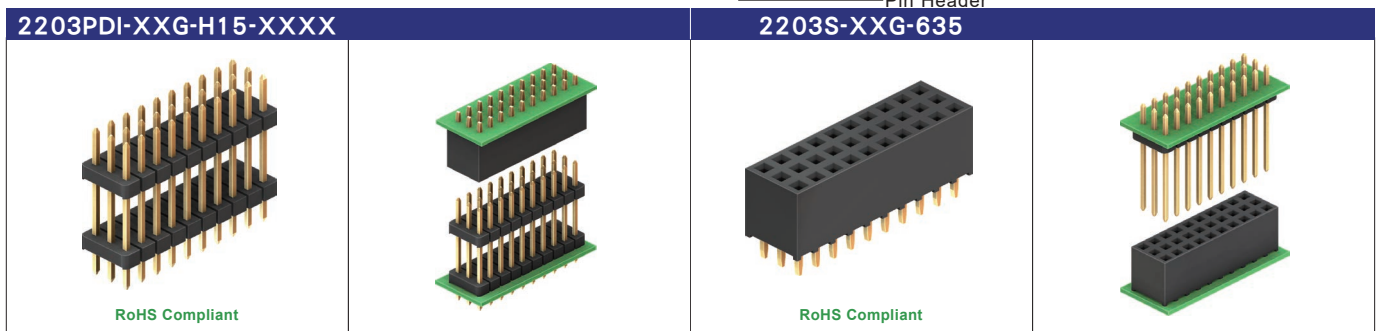


2203R-XXG
No. of Contacts
Right Angle Type

2203R-XXG Series:
2.00mm Wide Body Header Triple
Rows Right Angle Dip Type.
Mating Part:
2203S(SDI) Series.

2203P-XXG-H15-XXXX
Special Length
Blank: Standard
Insulator Height
H15=1.50mm
No. of Contacts
Pin Header

2203P-XXG-H15-XXXX Series:
2.00mm Pin Header Triple Rows
Straight Type(H=1.5).
Mating Part:
2203S(SDI) Series.

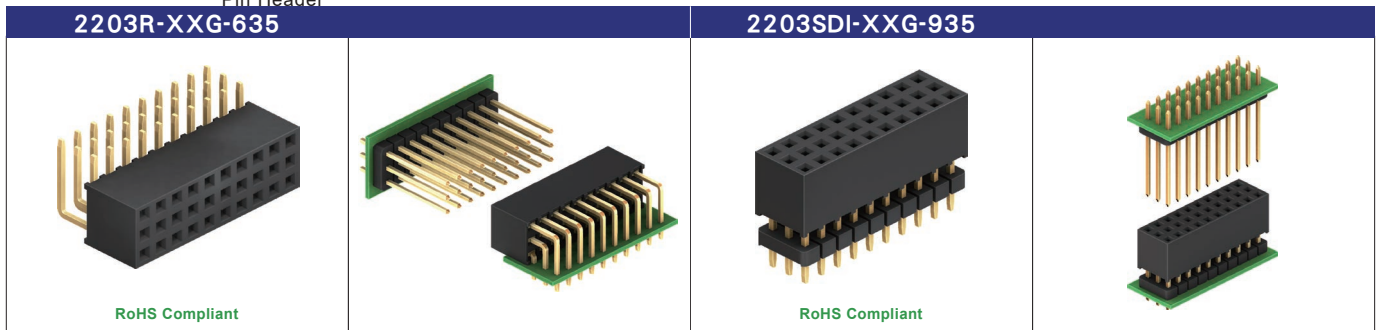


2203PDI-XXG-H15-XXXX
Special Length
Insulator Height
H15:1.50mm
No. of Contacts
Double Insulators
Pin Header

2203PDI-XXG-H15-XXXX Series:
2.00mm Pin Header Triple Rows
Straight Type(H=1.5).
Mating Part:
2203S(SDI) Series.

2203S-XXG-635
Insulator Height
635=6.35mm
No. of Contacts
Straight Type

2203S-XXG-635 Series:
2.00mm PCB Socket Triple Rows
Straight Type(H=6.35).
Mating Part:
2203P(PDI) Series.



2203R-XXG-635
Insulator Height
635=6.35mm
No. of Contacts
Right Angle Type

2203R-XXG-635 Series:
2.00mm PCB Socket Triple Rows
Right Angle Dip Type.
Mating Part:
2203P(PDI) Series.

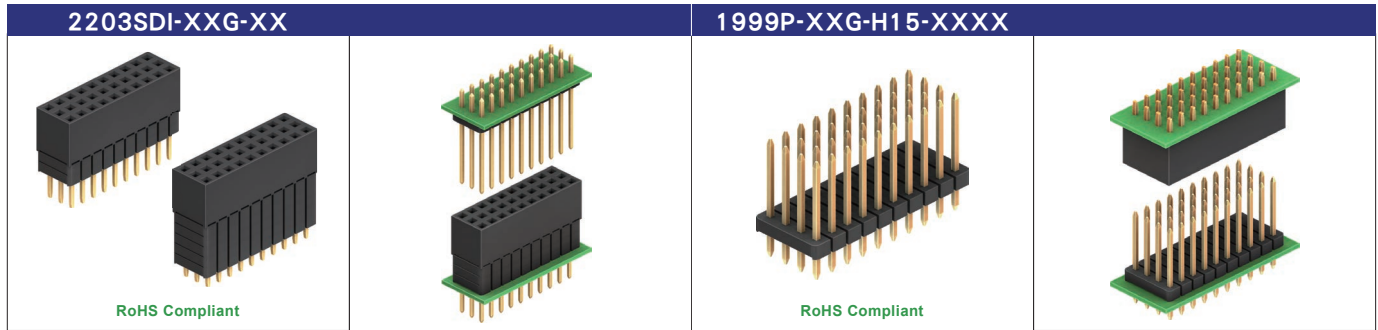
2203SDI-XXG-935
Special Length
935: Standard
No. of Contacts
Elevated Type
Straight Type

2203SDI-XXG-935 Series:
2.00mm PCB Socket Triple Rows
Dual Body Elevated Straight Dip Type.
Mating Part:
2203P(PDI) Series.

Pin Header & PCB Socket Series

2.00 / 2.2X3.8 / 2.4X3.5mm Pitch

UNIT : mm

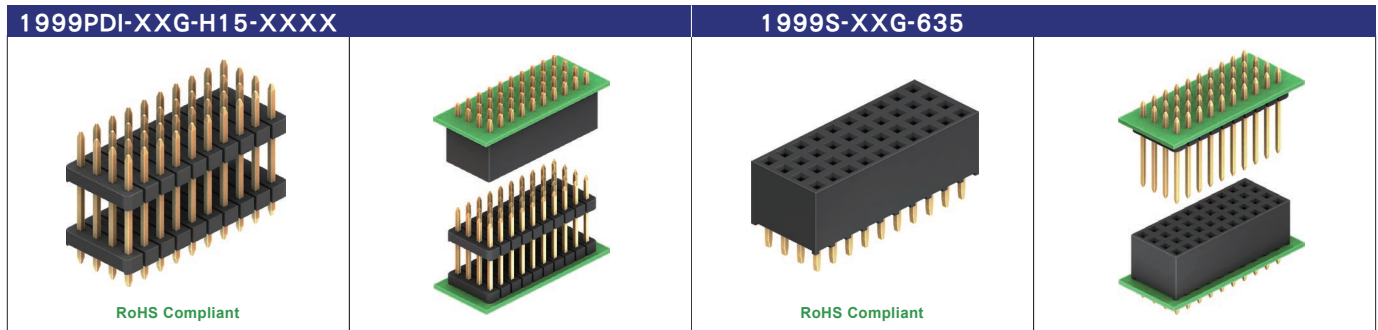


2203SDI-XXG-XX
 Special Length
 1A, 2B, 3A, 4B, 5A
 Type
 No. of Contacts
 Elevated Type
 Straight Type

2203SDI-XXG-XX Series:
 2.00mm PCB Socket Triple Rows
 Dual Body Elevated Straight Dip Type.
 Mating Part:
 2203P(PDI) Series.

1999P-XXG-H15-XXXX
 Special Length
 Blank: Standard
 Insulator Height
 H15=1.50mm
 No. of Contacts
 Pin Header

1999P-XXG-H15-XXXX Series:
 2.00mm Pin Header Quadruple
 Rows Straight Dip Type(H=1.5).
 Mating Part:
 1999S(SDI) Series.

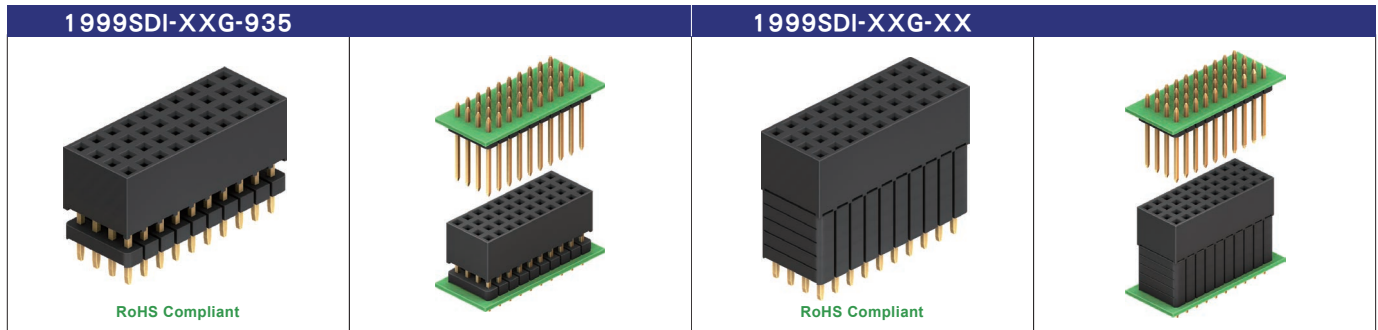


1999PDI-XXG-H15-XXXX
 Special Length
 Insulator Height
 H15=1.50mm
 No. of Contacts
 Double Insulators
 Pin Header

1999PDI-XXG-H15-XXXX Series:
 2.00mm Pin Header Quadruple Rows
 Double Insulator Straight Dip Type.
 Mating Part:
 1999S(SDI) Series.

1999S-XXG-635
 Insulator Height
 635=6.35mm
 No. of Contacts
 Straight Type

1999S-XXG-635 Series:
 2.00mm PCB Socket Quadruple
 Rows Straight Dip Type(H=6.35).
 Mating Part:
 2203P(PDI) Series.

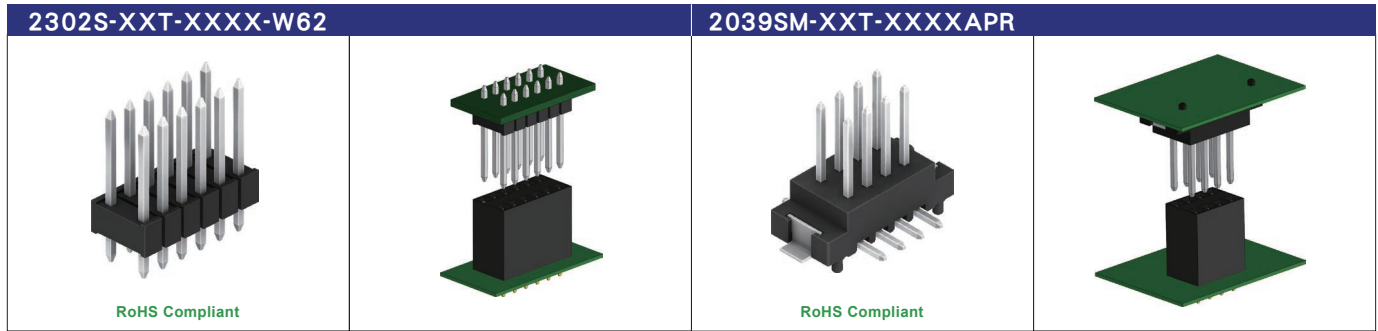


1999SDI-XXG-935
 Special Length
 935: Standard
 No. of Contacts
 Elevated Type
 Straight Type

1999SDI-XXG-935 Series:
 2.00mm PCB Socket Quadruple
 Rows Elevated Straight Dip Type.
 Mating Part:
 1999P(PDI) Series.

1999SDI-XXG-XX
 Special Length
 1A, 2B, 3A,
 4B, 5A Type
 No. of Contacts
 Elevated Type
 Straight Type

1999SDI-XXG-XX Series:
 2.00mm PCB Socket Quadruple
 Rows Dual Body Elevated Straight
 Dip Type.
 Mating Part:
 1999P(PDI) Series.



2302S-XXT-XXXX-W62
 Special Length
 No. of Contacts
 Straight Type

2302S-XXT-W62 Series:
 2.2*3.8mm Pin Header Double Rows
 Straight Dip Type.
 Mating Part:
 2302F Series.

2039SM-XXT-XXXXAPR
 Special Length
 No. of Contacts
 SMT Type

2039SM-XXT-XXXXAPR Series:
 2.4*3.5mm Pin Header Double Rows
 SMT Type.
 Mating Part:
 2039F Series.

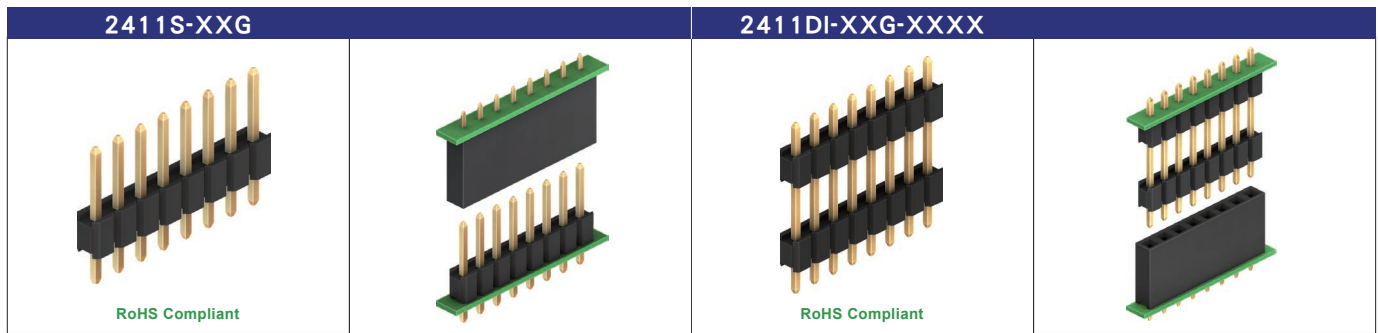
Pin Header & PCB Socket Series

2.50mm Pitch



Neltron Industrial Co., Ltd.

UNIT : mm

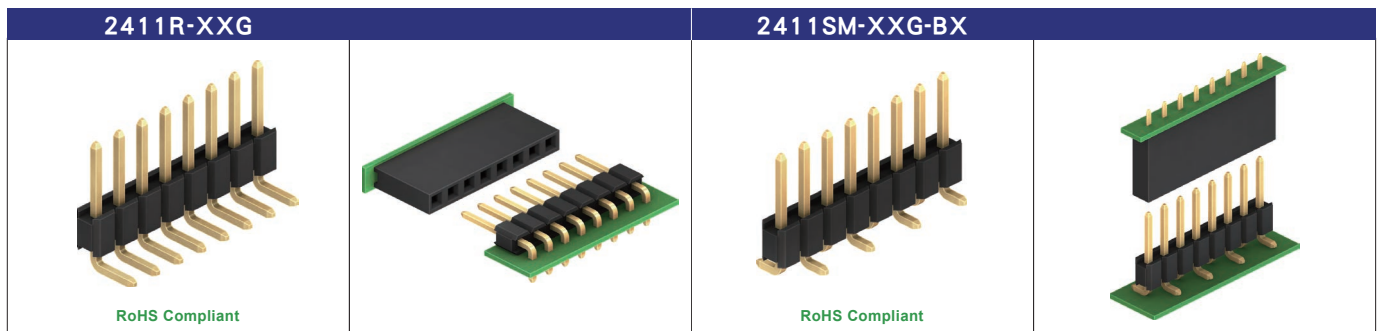


2411S-XXG
No. of Contacts
Straight Type

2411S-XXG Series:
2.50mm Pin Header Single Row
Straight Dip Type.
Mating Part:
2412 Series.

2411DI-XXG-XXXX
Special Length
No. of Contacts
Double Insulators

2411DI-XXG-XXXX Series:
2.50mm Pin Header Single Row
Double Insulators Straight Dip Type.
Mating Part:
2412 Series.

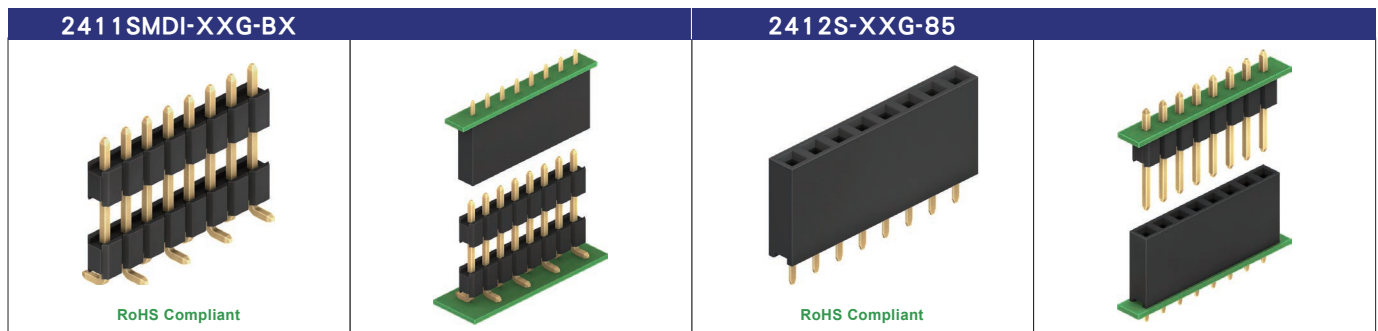


2411R-XXG
No. of Contacts
Right Angle Type

2411R-XXG Series:
2.50mm Pin Header Single Row
Right Angle Dip Type.
Mating Part:
2412 Series.

2411SM-XXG-BX
B1,B2 Type
No. of Contacts
SMD Type

2411SM-XXG-BX Series:
2.50mm Pin Header Single Row
SMD Type.
Mating Part:
2412 Series.

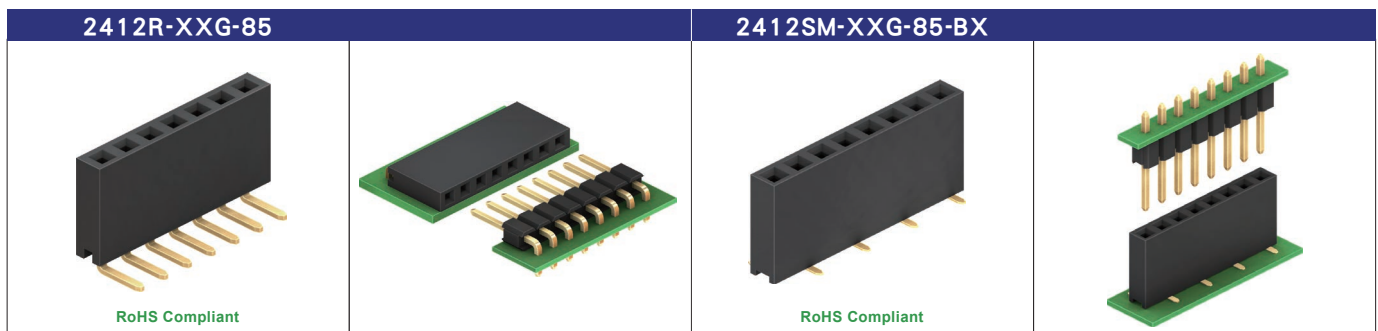


2411SMDI-XXG-BX
B1,B2 Type
No. of Contacts
Double Insulators
SMD Type

2411SMDI-XXG-BX Series:
2.50mm Pin Header Single Row
Double Insulators SMD Type.
Mating Part:
2412 Series.

2412S-XXG-85
Insulator Height
85=8.5mm
No. of Contacts
Straight Type

2412S-XXG-85 Series:
2.50mm PCB Socket Single Row
Straight Dip Type.
Mating Part:
2411 Series.



2412R-XXG-85
Insulator Height
85=8.5mm
No. of Contacts
Right Angle Type

2412R-XXG-85 Series:
2.50mm PCB Socket Single
Row Right Angle Dip Type.
Mating Part:
2411 Series.

2412SM-XXG-85-BX
B1,B2 Type
Insulator Height
85=8.5mm
No. of Contacts
SMD Type

2412SM-XXG-85-BX Series:
2.50mm PCB Socket Single Row
SMD Type.
Mating Part:
2411 Series.

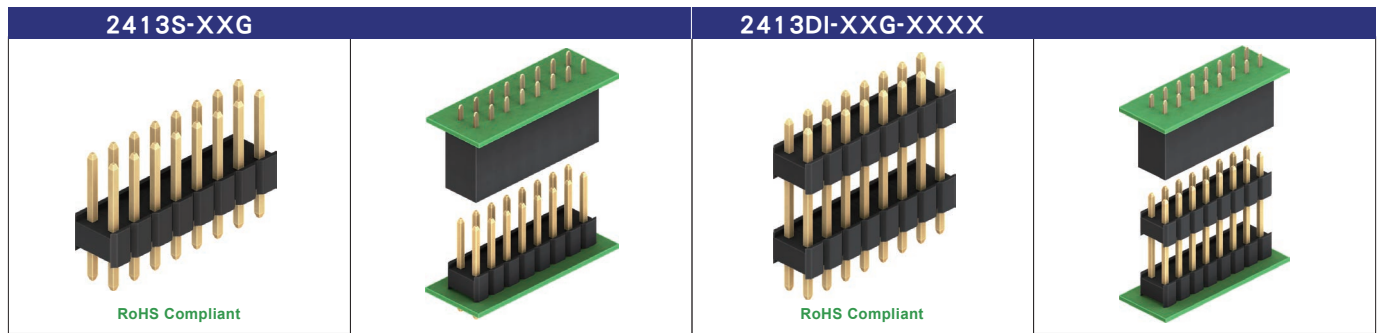
Pin Header & PCB Socket Series

2.50mm Pitch



Neltron Industrial Co., Ltd.

UNIT : mm

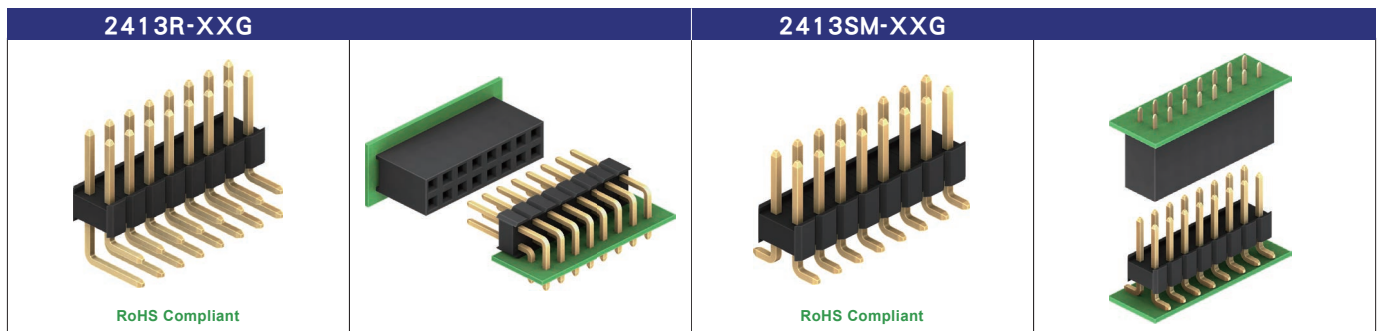


2413S-XXG
No. of Contacts
Straight Type

2413S-XXG Series:
2.50mm Pin Header Double Rows
Straight Dip Type.
Mating Part:
2414 Series.

2413DI-XXG-XXXX
Special Length
No. of Contacts
Double Insulators

2413DI-XXG-XXXX Series:
2.50mm Pin Header Double Rows
Double Insulators Straight Dip Type.
Mating Part:
2414 Series.

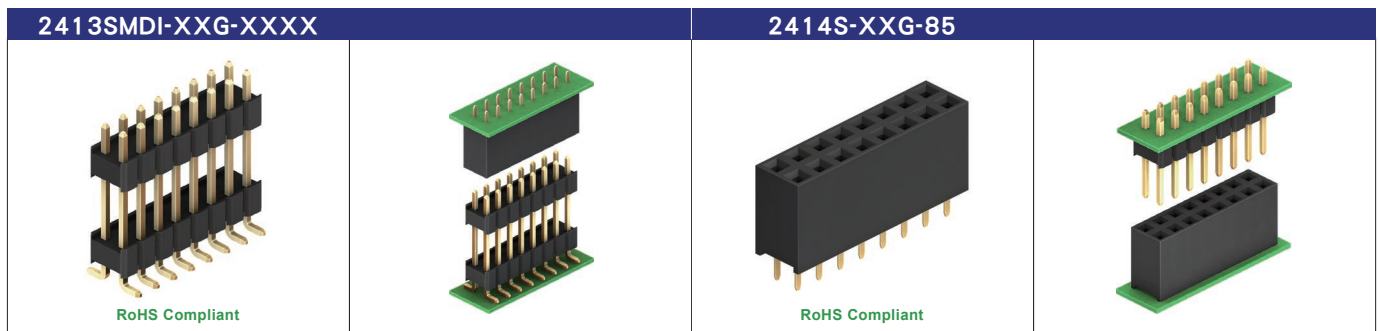


2413R-XXG
No. of Contacts
Right Angle Type

2413R-XXG Series:
2.50mm Pin Header Double Rows
Right Angle Dip Type.
Mating Part:
2414 Series.

2413SM-XXG
No. of Contacts
SMD Type

2413SM-XXG Series:
2.50mm Pin Header Double Rows
SMD Type.
Mating Part:
2414 Series.

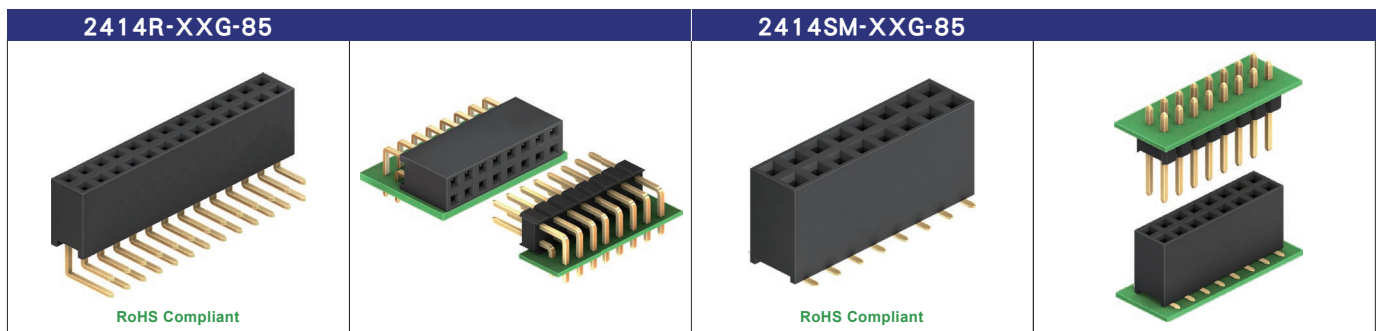


2413SMDI-XXG-XXXX
Special Length
No. of Contacts
Double Insulators
SMD Type

2413SMDI-XXG-XXXX Series:
2.50mm Pin Header Double Rows
Double Insulators SMD Type.
Mating Part:
2414 Series.

2414S-XXG-85
Insulator Height
85=8.5mm
No. of Contacts
Straight Type

2414S-XXG-85 Series:
2.50mm PCB Socket Double Rows
Straight Dip Type.
Mating Part:
2413 Series.



2414R-XXG-85
Insulator Height
85=8.5mm
No. of Contacts
Right Angle Type

2414R-XXG-85 Series:
2.50mm PCB Socket Double Rows
Right Angle Dip Type.
Mating Part:
2413 Series.

2414SM-XXG-85
Insulator Height
85=8.5mm
No. of Contacts
SMD Type

2414SM-XXG-85 Series:
2.50mm PCB Socket Double Rows
SMD Type.
Mating Part:
2413 Series.

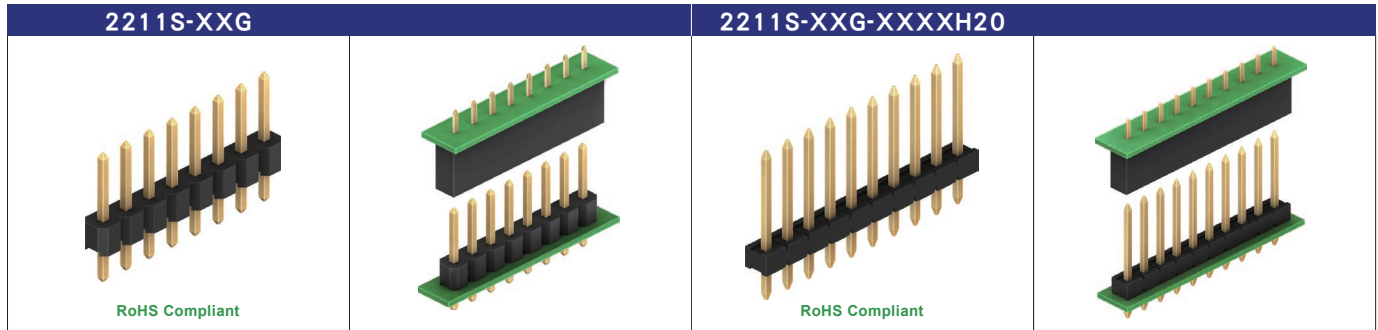
Pin Header & PCB Socket Series

2.54mm Pitch



Neltron Industrial Co., Ltd.

UNIT : mm

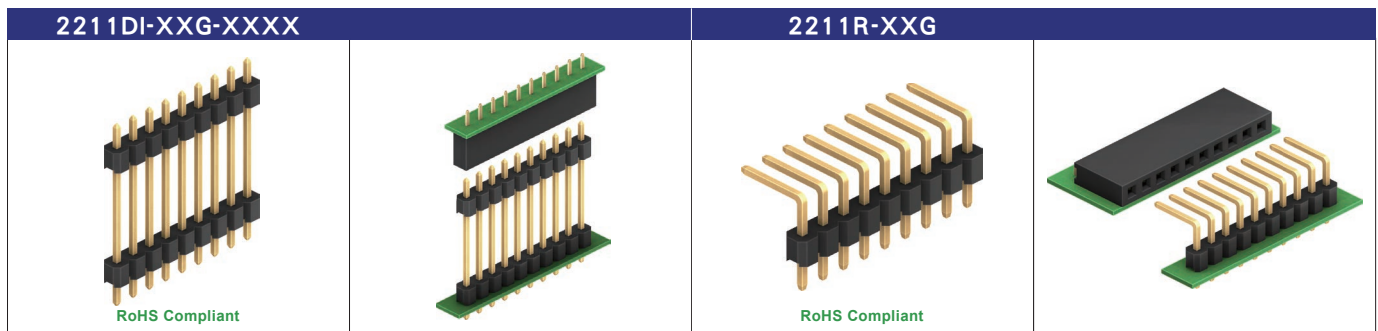


2211S-XXG
No. of Contacts
Straight Type

2211S-XXG Series:
2.54mm Pin Header Single Row
Straight Dip Type.
Mating Part:
2212 Series.

2211S-XXG-XXXXH20
Insulator Height
2.0mm
Special Length
No. of Contacts
Straight Type

2211S-XXG-XXXXH20 Series:
2.54mm Pin Header Single Row
Straight Type.
Mating Part:
2212 Series.

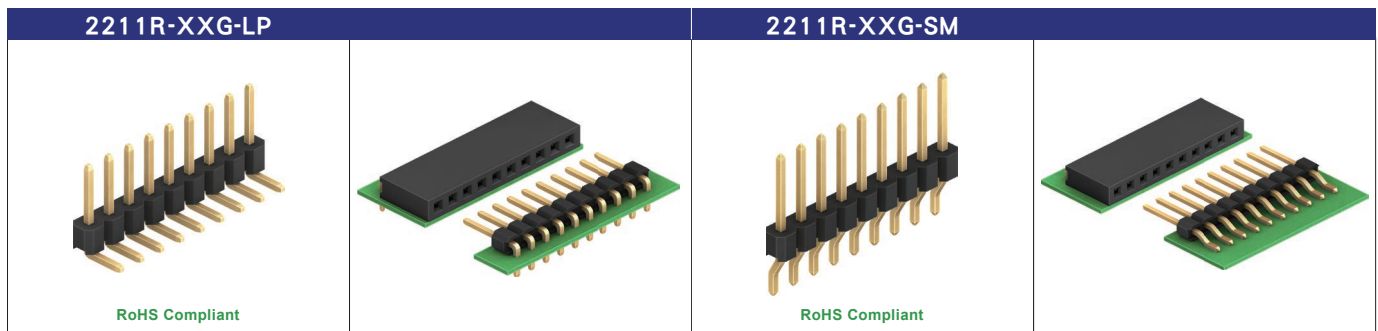


2211DI-XXG-XXXX
Special Length
No. of Contacts
Double Insulators

2211DI-XXG-XXXX Series:
2.54mm Pin Header Single Row
Double Insulators Straight Dip Type.
Mating Part:
2212 Series.

2211R-XXG
No. of Contacts
Right Angle Type

2211R-XXG Series:
2.54mm Pin Header Single Row
Right Angle Dip Type.
Mating Part:
2212 Series.

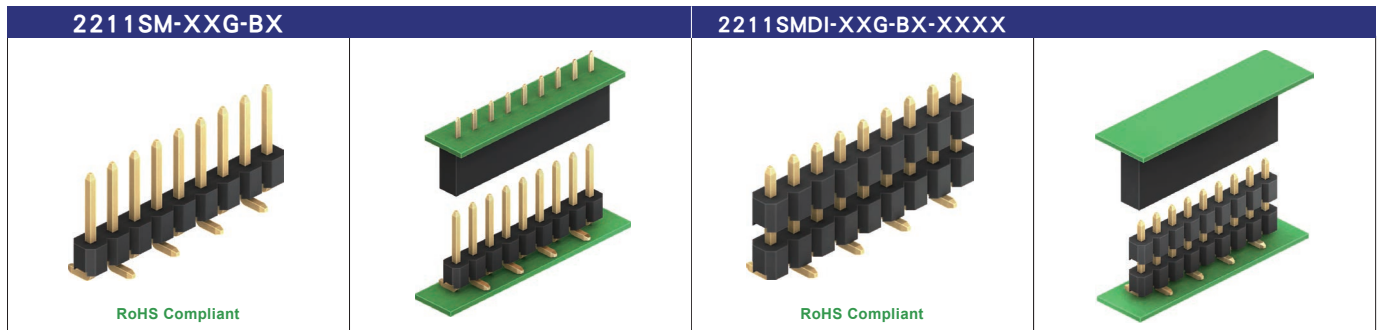


2211R-XXG-LP
Low Profile Type
No. of Contacts
Right Angle Type

2211R-XXG-LP Series:
2.54mm Pin Header Single Row
R/A Dip Type (Low Profile Type).
Mating Part:
2212 Series.

2211R-XXG-SM
SMD Type
No. of Contacts
Right Angle Type

2211R-XXG-SM Series:
2.54mm Pin Header Single Row
R/A SMD Type.
Mating Part:
2212 Series.



2211SM-XXG-BX
B1, B2 Type
No. of Contacts
SMD Type

2211SM-XXG-BX Series:
2.54mm Pin Header Single Row
SMD Type.
Mating Part:
2212 Series.

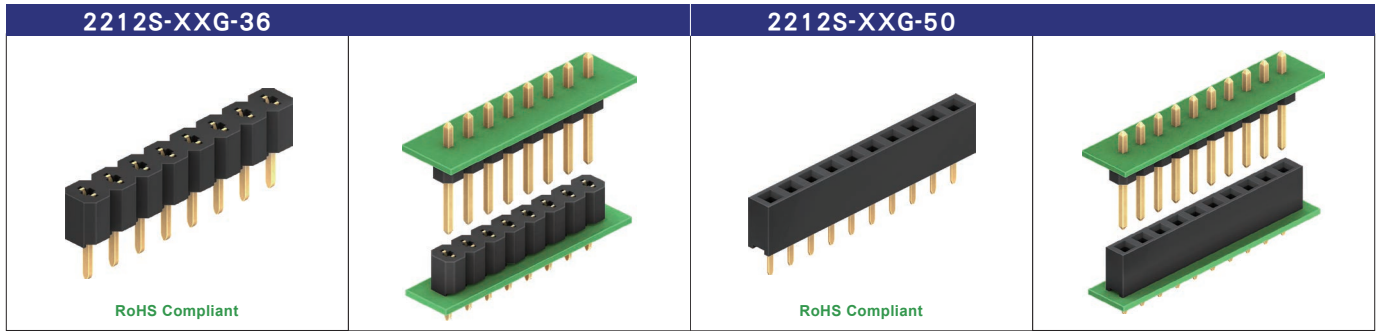
2211SMDI-XXG-BX-XXXX
Special Length
B1, B2 Type
No. of Contacts
Double Insulators
SMD Type

2211SMDI-XXG-BX-XXXX Series:
2.54mm Pin Header Single Row
Double Insulator SMD Type.
Mating Part:
2212 Series.

Pin Header & PCB Socket Series

2.54mm Pitch

UNIT : mm

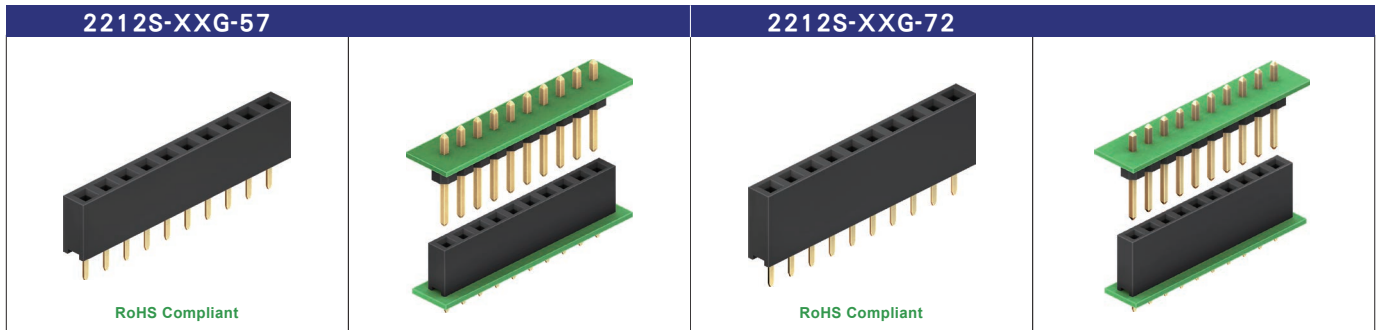


2212S-XXG-36
 Insulator Height
 36=3.6mm
 No. of Contacts
 Straight Type

2212S-XXG-36 Series:
 2.54mm PCB Socket Single Row Two
 Sides Contact Straight Dip Type(H=3.6).
 Mating Part:
 2211 Series.

2212S-XXG-50
 Insulator Height
 50=5.0mm
 No. of Contacts
 Straight Type

2212S-XXG-50 Series:
 2.54mm PCB Socket Single Row
 Three Sides Contact Straight Dip
 Type(H=5.0).
 Mating Part:
 2211 Series.

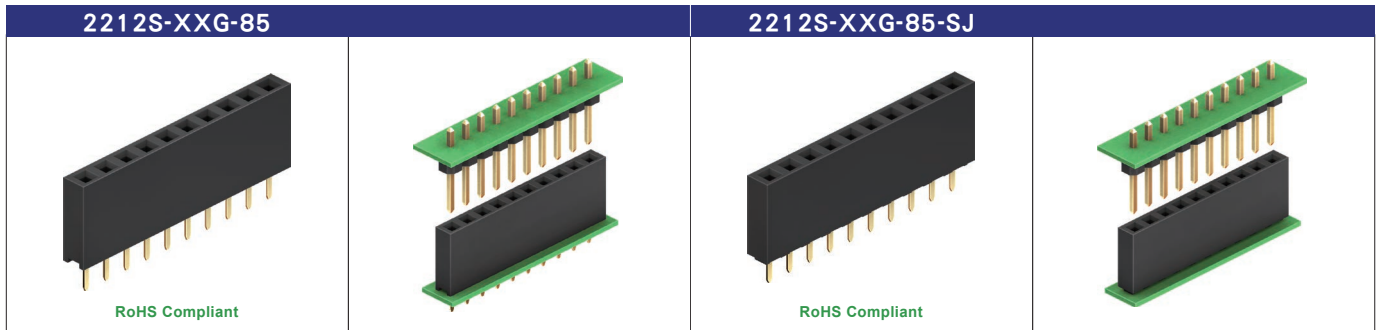


2212S-XXG-57
 Insulator Height
 57=5.7mm
 No. of Contacts
 Straight Type

2212S-XXG-57 Series:
 2.54mm PCB Socket Single Row Two
 Sides Contact Straight Dip Type(H=5.7).
 Mating Part:
 2211 Series.

2212S-XXG-72
 Insulator Height
 72=7.2mm
 No. of Contacts
 Straight Type

2212S-XXG-72 Series:
 2.54mm PCB Socket Single Row
 Three Sides Contact Straight Dip
 Type(H=7.2).
 Mating Part:
 2211 Series.

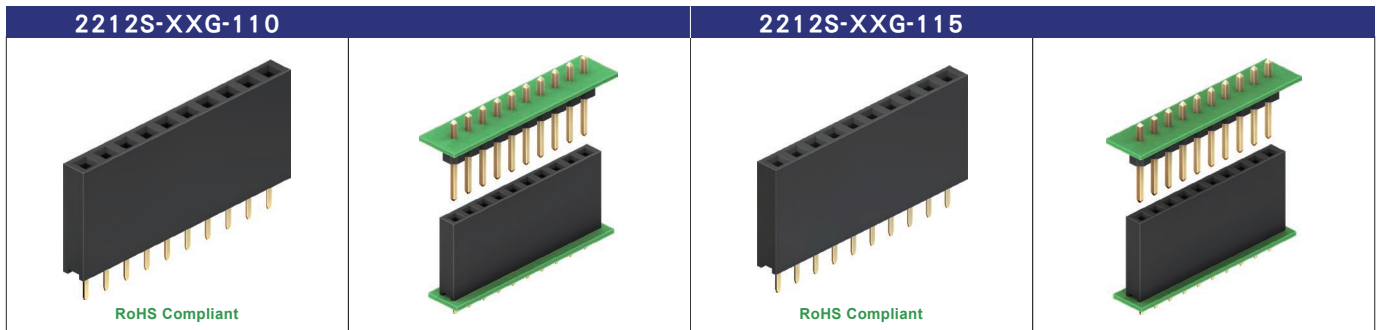


2212S-XXG-85
 Insulator Height
 85=8.5mm
 No. of Contacts
 Straight Type

2212S-XXG-85 Series:
 2.54mm PCB Socket Single Row Two
 Sides Contact Straight Dip Type(H=8.5).
 Mating Part:
 2211 Series.

2212S-XXG-85-SJ
 3 Sides Contact
 Insulator Height
 85=8.5mm
 No. of Contacts
 Straight Type

2212S-XXG-85-SJ Series:
 2.54mm PCB Socket Single Row
 Three Sides Contact Straight Dip
 Type(H=8.5).
 Mating Part:
 2211 Series.



2212S-XXG-110
 Insulator Height
 110=11.00mm
 No. of Contacts
 Straight Type

2212S-XXG-110 Series:
 2.54mm PCB Socket Single Row Two
 Sides Contact Straight Dip Type(H=11.0).
 Mating Part:
 2211 Series.

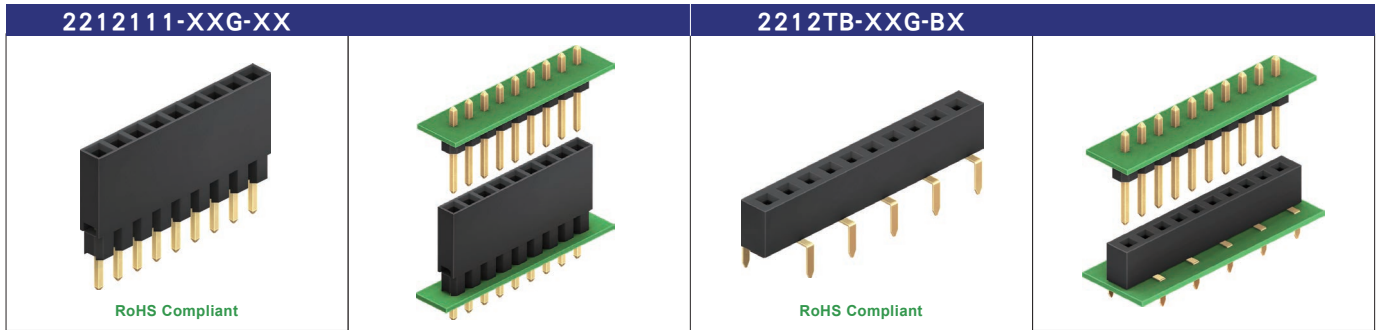
2212S-XXG-115
 Insulator Height
 115=11.5mm
 No. of Contacts
 Straight Type

2212S-XXG-115 Series:
 2.54mm PCB Socket Single Row
 Two Sides Contact Straight Dip
 Type(H=11.5).
 Mating Part:
 2211 Series.

Pin Header & PCB Socket Series

2.54mm Pitch

UNIT : mm

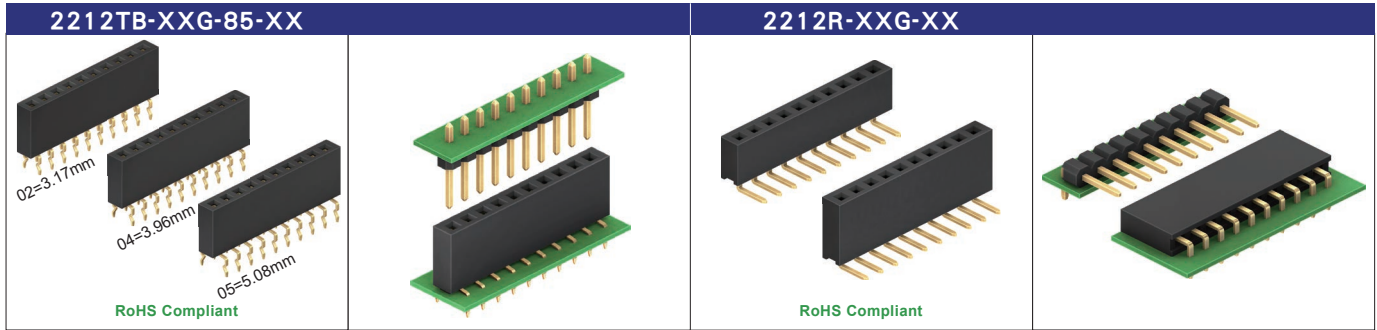


2212111-XXG-XX
Special Length
No. of Contacts
Straight Type

2212111-XXG-XX Series:
2.54mm PCB Socket Single Row
Two Sides Contact Dual Body
Elevated Straight Dip Type.
Mating Part:
2211 Series.

2212TB-XXG-BX
B1,B2 Type
No. of Contacts
Bottom Entry Type

2212TB-XXG-BX Series:
2.54mm PCB Socket Single Row
Three Sides Contact Bottom Entry
Dip Type(H=5.0).
Mating Part:
2211 Series.

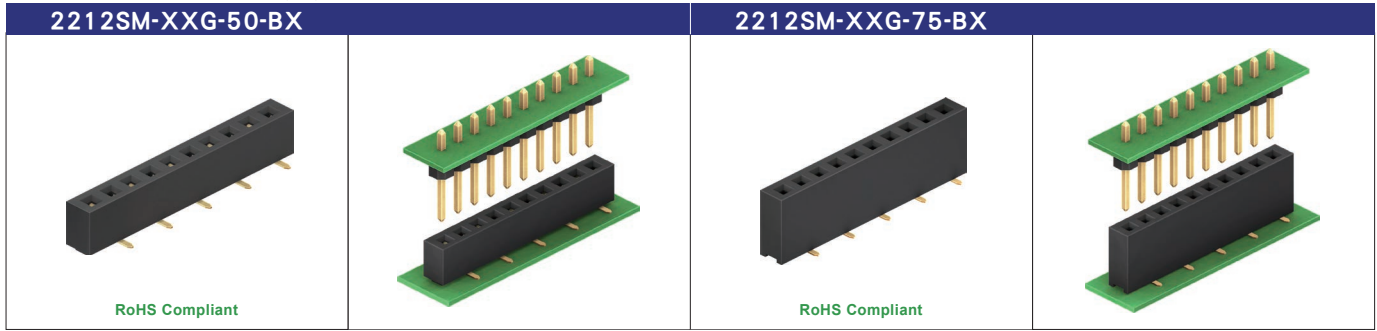


2212TB-XXG-85-XX
Pitch Type
02=3.17mm,04=3.96mm
05=5.08mm Insulator Height
85=8.50mm
No. of Contacts
Bottom Entry Type

2212TB-XXG-85-XX Series:
2.54mm PCB Socket Single Row
Four Sides Contact Bottom Entry
Dip Type(H=8.5).
Mating Part:
2211 Series.

2212R-XXG-XX
Insulator Height
85=8.5mm
57=5.7mm
No. of Contacts
Right Angle Type

2212R-XXG-XX Series:
2.54mm PCB Socket Single Row
Two Sides Contact Right Angle Dip
Type(H=8.5,H=5.7).
Mating Part:
2211 Series.

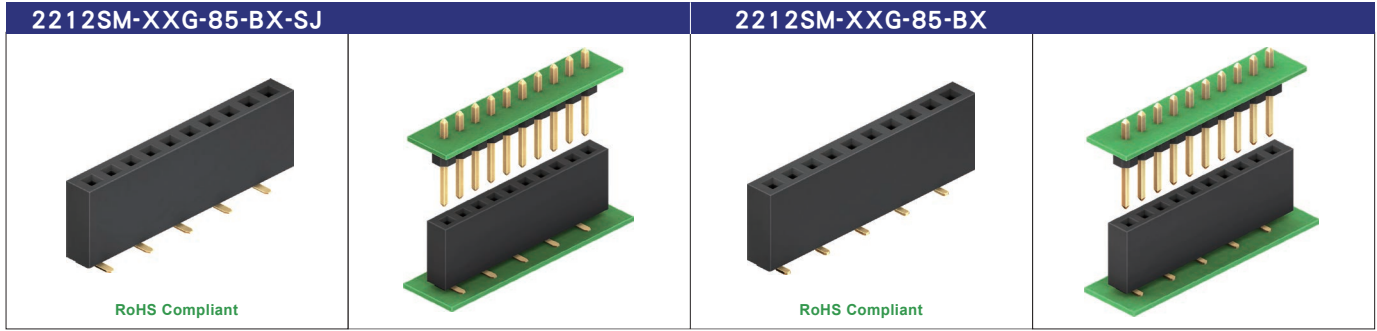


2212SM-XXG-50-BX
B1,B2 Type
Total Height:
5.0mm
No. of Contacts
SMD Type

2212SM-XXG-50-BX Series:
2.54mm PCB Socket Single Row
Three Sides Contact SMD Type(H=5.0).
Mating Part:
2211 Series.

2212SM-XXG-75-BX
B1,B2 Type
Total Height:
7.5mm
No. of Contacts
SMD Type

2212SM-XXG-75-BX Series:
2.54mm PCB Socket Single Row
Three Sides Contact SMD Type(H=7.5).
Mating Part:
2211 Series.



2212SM-XXG-85-BX-SJ
Three Sides
Contact
B1,B2 Type
Plastic Height:
8.5mm
No. of Contacts
SMD Type

2212SM-XXG-85-BX-SJ Series:
2.54mm PCB Socket Single Row
Three Sides Contact SMD Type(H=8.5).
Mating Part:
2211 Series.

2212SM-XXG-85-BX
B1,B2 Type
Insulator Height
85=8.5mm
No. of Contacts
SMD Type

2212SM-XXG-85-BX Series:
2.54mm PCB Socket Single Row
Three Sides Contact SMD Type(H=8.5).
Mating Part:
2211 Series.

Pin Header & PCB Socket Series

2.54mm Pitch



Neltron Industrial Co., Ltd.

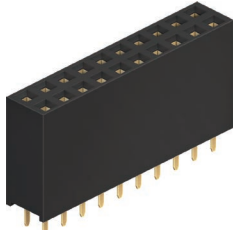
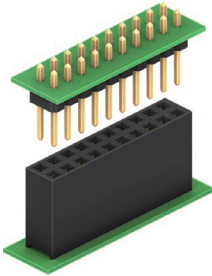
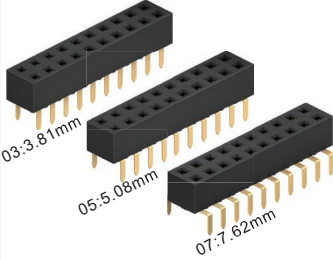
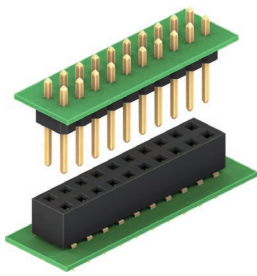
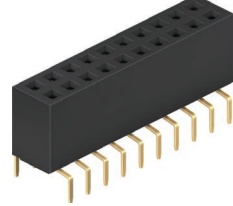
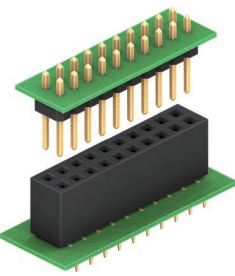
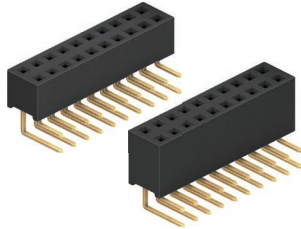
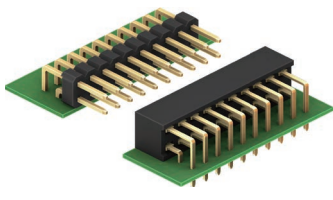
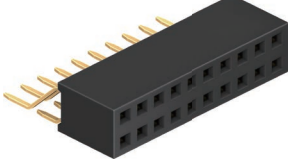
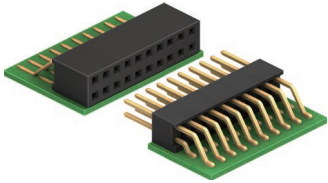
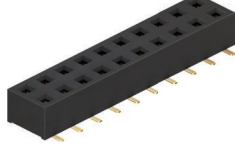
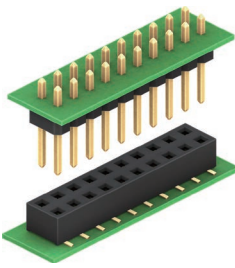
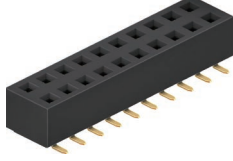
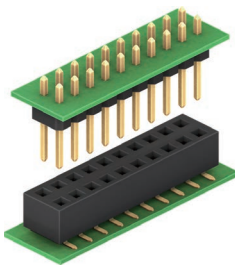
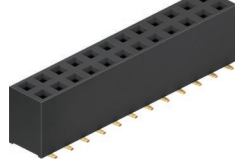
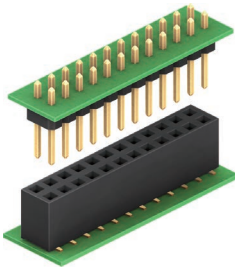
UNIT : mm

2212BR-XXG-XX		2214S-XXG-36	
RoHS Compliant	RoHS Compliant	RoHS Compliant	
<p>2212BR-XXG-XX</p> <ul style="list-style-type: none"> SM: SMD Type Blank: Dip Type No. of Contacts Horizontal Entry Type 	<p>2212BR-XXG-XX Series:</p> <p>2.54mm PCB Socket Single Row Horizontal Entry Three Sides Contact SMD Type(H=3.4). Mating Part: 2211 Series.</p>	<p>2214S-XXG-36</p> <ul style="list-style-type: none"> Insulator Height 36=3.6mm No. of Contacts Straight Type 	<p>2214S-XXG-36 Series:</p> <p>2.54mm PCB Socket Double Rows Two Sides Contact Straight Dip Type(H=3.6). Mating Part: 2213 Series.</p>
2214S-XXG-50		2214S-XXG-57	
RoHS Compliant	RoHS Compliant	RoHS Compliant	
<p>2214S-XXG-50</p> <ul style="list-style-type: none"> Insulator Height 50=5.0mm No. of Contacts Straight Type 	<p>2214S-XXG-50 Series:</p> <p>2.54mm PCB Socket Double Rows Three Sides Contact Straight Dip Type(H=5.0). Mating Part: 2213 Series.</p>	<p>2214S-XXG-57</p> <ul style="list-style-type: none"> Insulator Height 57=5.7mm No. of Contacts Straight Type 	<p>2214S-XXG-57 Series:</p> <p>2.54mm PCB Socket Double Rows Two Sides Contact Straight Dip Type(H=5.7). Mating Part: 2213 Series.</p>
2214S-XXG-72		2214S-XXG-85	
RoHS Compliant	RoHS Compliant	RoHS Compliant	
<p>2214S-XXG-72</p> <ul style="list-style-type: none"> Insulator Height 72=7.2mm No. of Contacts Straight Type 	<p>2214S-XXG-72 Series:</p> <p>2.54mm PCB Socket Double Rows Three Sides Contact Straight Dip Type(H=7.2). Mating Part: 2213 Series.</p>	<p>2214S-XXG-85</p> <ul style="list-style-type: none"> Insulator Height 85=8.5mm No. of Contacts Straight Type 	<p>2214S-XXG-85 Series:</p> <p>2.54mm PCB Socket Double Rows Two Sides Contact Straight Dip Type(H=8.5). Mating Part: 2213 Series.</p>
2214S-XXG-85-SJ		2214S-XXG-110	
RoHS Compliant	RoHS Compliant	RoHS Compliant	
<p>2214S-XXG-85-SJ</p> <ul style="list-style-type: none"> 3 Sides Contact Insulator Height 85=8.5mm No. of Contacts Straight Type 	<p>2214S-XXG-85-SJ Series:</p> <p>2.54mm PCB Socket Double Rows Three Sides Contact Straight Dip Type(H=8.5). Mating Part: 2213 Series.</p>	<p>2214S-XXG-110</p> <ul style="list-style-type: none"> Insulator Height 110=11.0mm No. of Contacts Straight Type 	<p>2214S-XXG-110 Series:</p> <p>2.54mm PCB Socket Double Rows Two Sides Contact Straight Dip Type(H=11.0). Mating Part: 2213 Series.</p>

Pin Header & PCB Socket Series

2.54mm Pitch

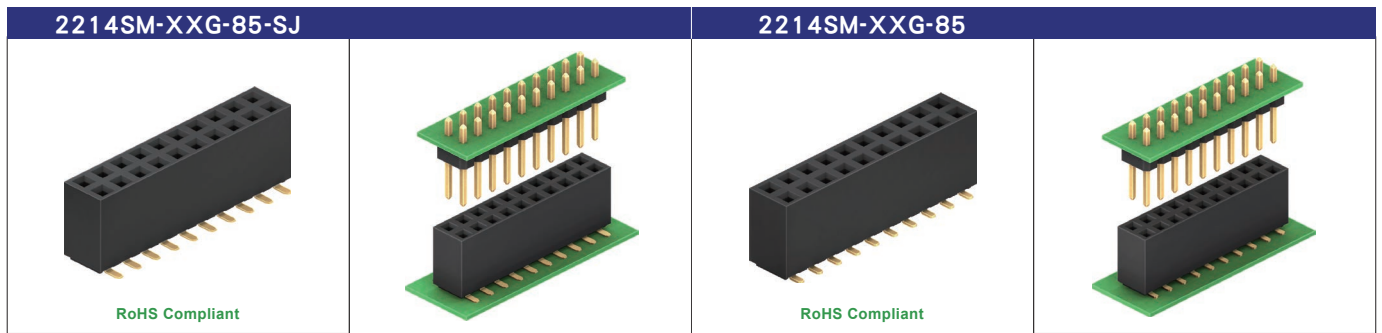
UNIT : mm

2214S-XXG-115		2214TB-XXG-XX	
			
RoHS Compliant		RoHS Compliant	
<p>2214S-XXG-115</p> <ul style="list-style-type: none"> Insulator Height 115=11.5mm No. of Contacts Straight Type 	<p>2214S-XXG-115 Series: 2.54mm PCB Socket Double Rows Two Sides Contact Straight Dip Type(H=11.5). Mating Part: 2213 Series.</p>	<p>2214TB-XXG-XX</p> <ul style="list-style-type: none"> Row to Row Space 03:3.81mm 05:5.08mm 07:7.62mm No. of Contacts Bottom Entry Type 	<p>2214TB-XXG-XX Series: 2.54mm PCB Socket Double Rows Bottom Entry Three Sides Contact Dip Type. Mating Part: 2213 Series.</p>
2214TB-XXG-85-XX		2214R-XXG-XX	
			
RoHS Compliant		RoHS Compliant	
<p>2214TB-XXG-85-XX</p> <ul style="list-style-type: none"> Row to Row Space 06=6.50mm 07=7.62mm Insulator Height 85=8.5mm No. of Contacts Bottom Entry Type 	<p>2214TB-XXG-85-XX Series: 2.54mm PCB Socket Double Rows Bottom Entry Four Sides Contact Dip Type(H=8.5). Mating Part: 2213 Series.</p>	<p>2214R-XXG-XX</p> <ul style="list-style-type: none"> Insulator Height 85=8.5mm 57=5.7mm No. of Contacts Right Angle Type 	<p>2214R-XXG-XX Series: 2.54mm PCB Socket Double Rows Two Sides Contact Right Angle Dip Type(H=8.5,H=5.7). Mating Part: 2213 Series.</p>
2214R-XXG-85-SM-XX		2214SM-XXG-37D-XX	
			
RoHS Compliant		RoHS Compliant	
<p>2214R-XXG-85-SM-XX</p> <ul style="list-style-type: none"> Blank: Standard PG: Peg+ Tape & Reel SMD Type Insulator Height 85=8.5mm No. of Contacts Right Angle Type 	<p>2214R-XXG-85-SM-XX Series: 2.54mm PCB Socket Double Rows Right Angle SMD Type.(H=8.5). Mating Part: 2213 Series.</p>	<p>2214SM-XXG-37D-XX</p> <ul style="list-style-type: none"> Blank: Standard PG: With Peg Total Height 37=3.7mm No. of Contacts SMD Type 	<p>2214SM-XXG-37D Series: 2.54mm PCB Socket Double Rows Three Sides Contact Bottom Entry SMD Type(H=3.7). Mating Part: 2213 Series.</p>
2214SM-XXG-50		2214SM-XXG-75-XX	
			
RoHS Compliant		RoHS Compliant	
<p>2214SM-XXG-50</p> <ul style="list-style-type: none"> Insulator Height 50=5.0mm No. of Contacts SMD Type 	<p>2214SM-XXG-50 Series: 2.54mm PCB Socket Double Rows Three Sides Contact SMD Type(H=5.0). Mating Part: 2213 Series.</p>	<p>2214SM-XXG-75-XX</p> <ul style="list-style-type: none"> Blank: Standard PG: With Peg Insulator Height 75=7.50mm No. of Contacts SMD Type 	<p>2214SM-XXG-75-XX Series: 2.54mm PCB Socket Double Rows Three Sides Contact SMD Type(H=7.5). Mating Part: 2213 Series.</p>

Pin Header & PCB Socket Series

2.54mm Pitch

UNIT : mm

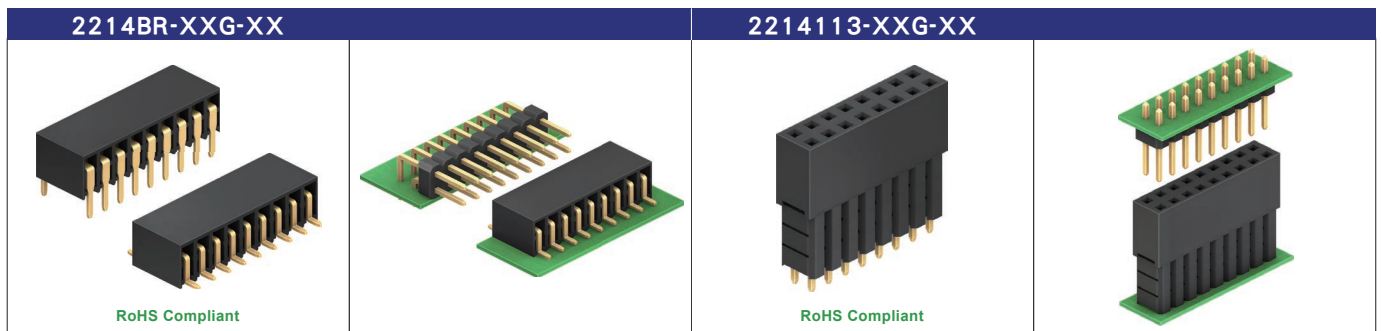


2214SM-XXG-85-SJ
 3 Sides Contact
 Total Height
 85=8.5mm
 No. of Contacts
 SMD Type

2214SM-XXG-85-SJ Series:
 2.54mm PCB Socket Double Rows
 Three Sides Contact SMD Type(H=8.5).
 Mating Part:
 2213 Series.

2214SM-XXG-85
 Insulator Height
 85=8.5mm
 No. of Contacts
 SMD Type

2214SM-XXG-85 Series:
 2.54mm PCB Socket Double Rows
 Four Side Contact SMD Type(H=8.5).
 Mating Part:
 2213 Series.

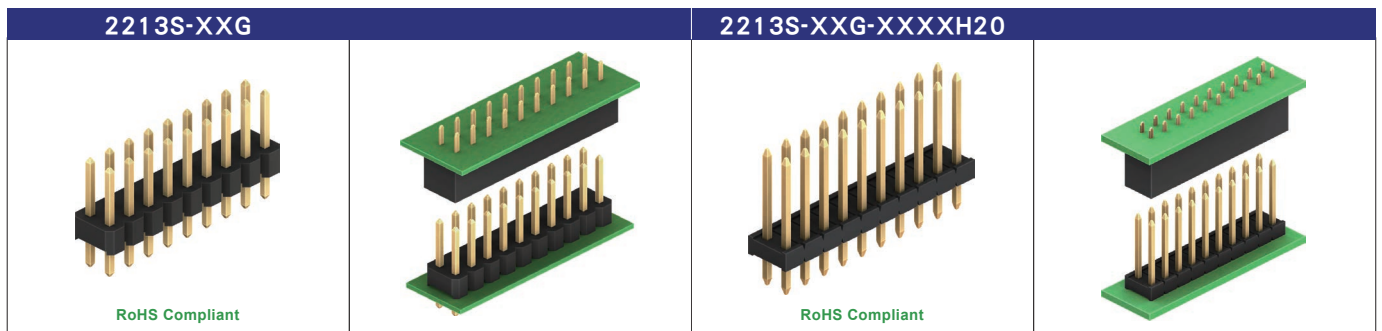


2214BR-XXG-XX
 SM:SMD Type
 Blank; Dip Type
 No. of Contacts
 Horizontal Entry
 Type

2214BR-XXG-XX Series:
 2.54mm PCB Socket Double Rows
 Three Side Contact Horizontal Entry
 SMD Type(H=6.1).
 Mating Part:
 2213 Series.

2214113-XXG-XX
 Special Length
 No. of Contacts
 Elevated Type
 Straight Type

2214113-XXG-XX Series:
 2.54mm PCB Socket Double Rows
 Two Sides Contact Dual Body
 Elevated Straight Dip Type.
 Mating Part:
 2213 Series.

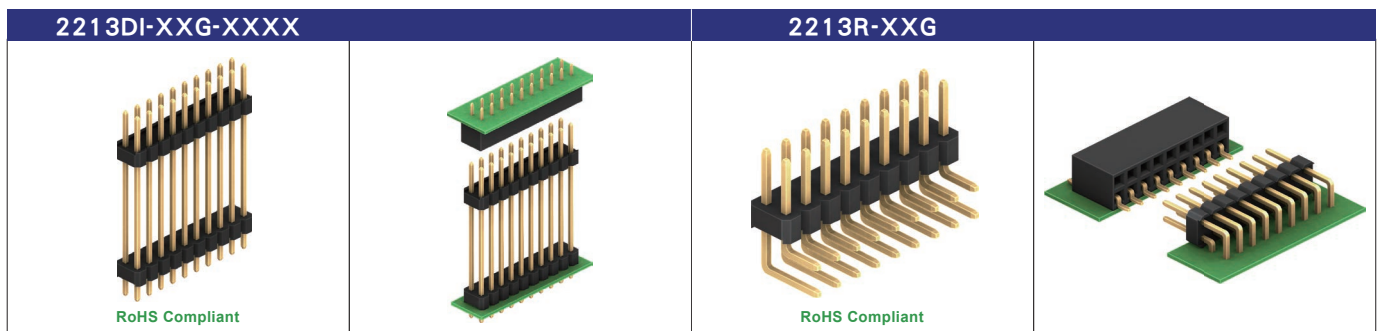


2213S-XXG
 No. of Contacts
 Straight Type

2213S-XXG Series:
 2.54mm Pin Header Double Rows
 Straight Dip Type.
 Mating Part:
 2214 Series.

2213S-XXG-XXXXH20
 Insulator Height
 2.0mm
 Special Length
 No. of Contacts
 Straight Type

2213S-XXG-XXXXH20 Series:
 2.54mm Pin Header Double Rows
 Straight Type.
 Mating Part:
 2214S-XXG-85 Series.



2213DI-XXG-XXXX
 Special Length
 No. of Contacts
 Double Insulators

2213DI-XXG-XXXX Series:
 2.54mm Pin Header Double Rows
 Double Insulators Straight Dip Type.
 Mating Part:
 2214 Series.

2213R-XXG
 No. of Contacts
 Right Angle Type

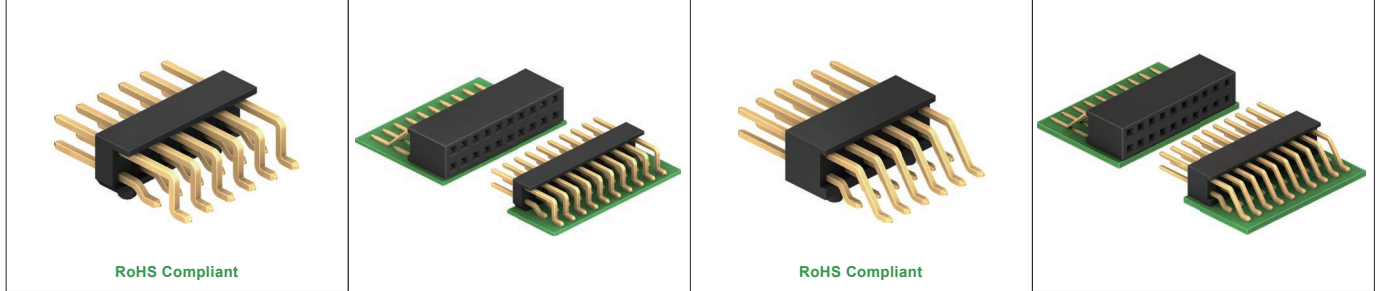
2213R-XXG Series:
 2.54mm Pin Header Double Rows
 Right Angle Dip Type.
 Mating Part:
 2214 Series.

Pin Header & PCB Socket Series

2.54mm Pitch

UNIT : mm

2213R-XXG-SM-6076AXX **2213R-XXXX-SM-PR-001**

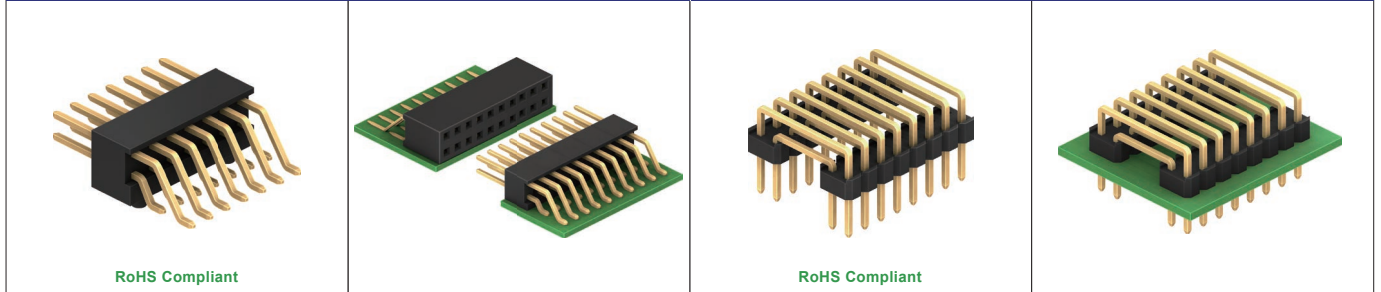


2213R-XXG-SM-6076AXX **2213R-XXXX-SM-PR-001**

PG: With Peg+Tape&Reel Length SMD Type No. of Contacts Right Angle Type
 2213R-XXG-SM-6076AXX Series: 2.54mm Pin Header Double Rows Right Angle SMD Type. Mating Part: 2214R-XXG-85-SM-PR.

Peg+Tape&Reel SMT Type MT: Matt Tin Plated G: Gold Plated No. of Contact Right Angle
 2213R-XXXX-SM-PR-001 Series: 2.54mm Double Rows Right Angle SMD Type. Mating Part: 2214 Series.

2213R-XXXX-SM-PR-002 **2213RUDI-XXG-XXXX**

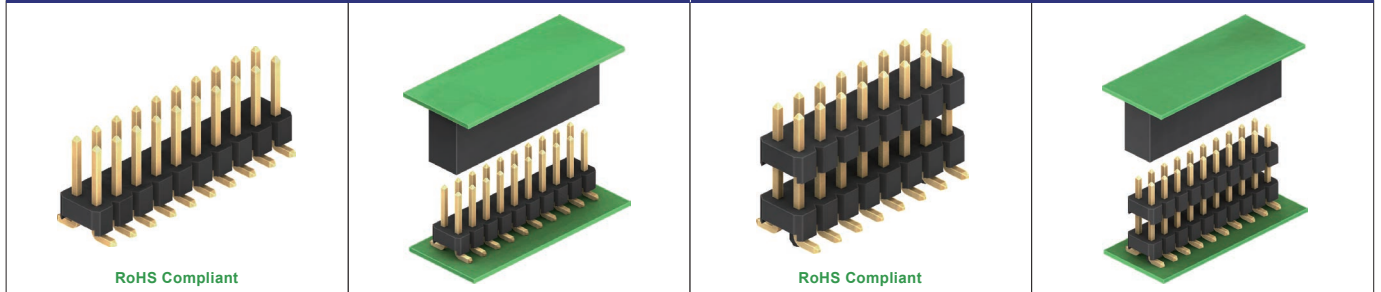


2213R-XXXX-SM-PR-002 **2213RUDI-XXG-XXXX**

Peg+Tape&Reel SMT Type MT: Matt Tin Plated G: Gold Plated No. of Contact Right Angle
 2213R-XXXX-SM-PR-002 Series: 2.54mm Double Rows Right Angle SMD Type. Mating Part: 2214 Series.

Special Length No. of Contacts R/A Double Insulators Type
 2213RUDI-XXG-XXXX Series: 2.54mm Pin Header Double Row R/A Double Insulators Type. Mating Part: 2214 Series.

2213SM-XXG-XXXX **2213SMDI-XXG-XX-XXXX**

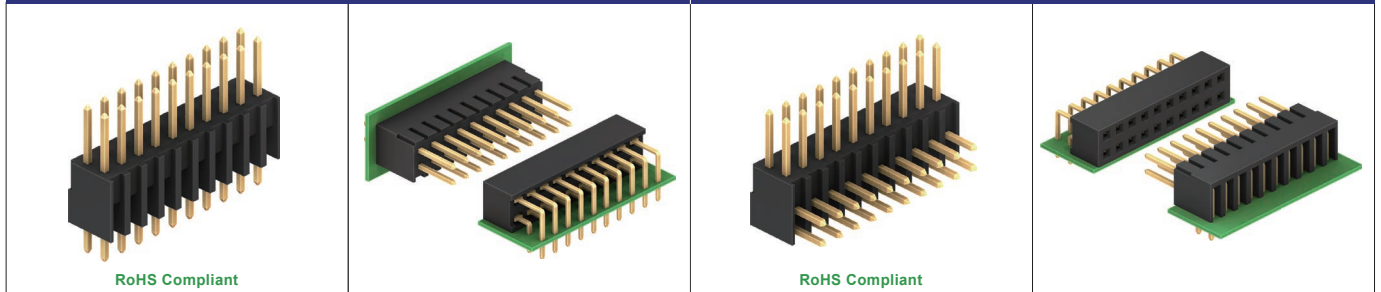


2213SM-XXG-XXXX **2213SMDI-XXG-XX-XXXX**

Blank: Standard PG: With Peg No. of Contacts SMD Type
 2213SM-XXG-XXXX Series: 2.54mm Pin Header Double Rows SMD Type. Mating Part: 2214 Series.

Blank: Standard PG: With Peg Special Length No. of Contacts Double Insulators SMD Type
 2213SMDI-XXG-XX-XXXX Series: 2.54mm Pin Header Double Rows Double Insulator SMD Type. Mating Part: 2214 Series.

2215S-XXG **2215R-XXG**



2215S-XXG **2215R-XXG**

No. of Contacts Straight Type
 2215S-XXG Series: 2.54mm Wide Body Pin Header Double Rows Straight Dip Type. Mating Part: 2214 Series.

No. of Contacts Right Angle Type
 2215R-XXG Series: 2.54mm Wide Body Pin Header Double Rows R/A Dip Type. Mating Part: 2214 Series.

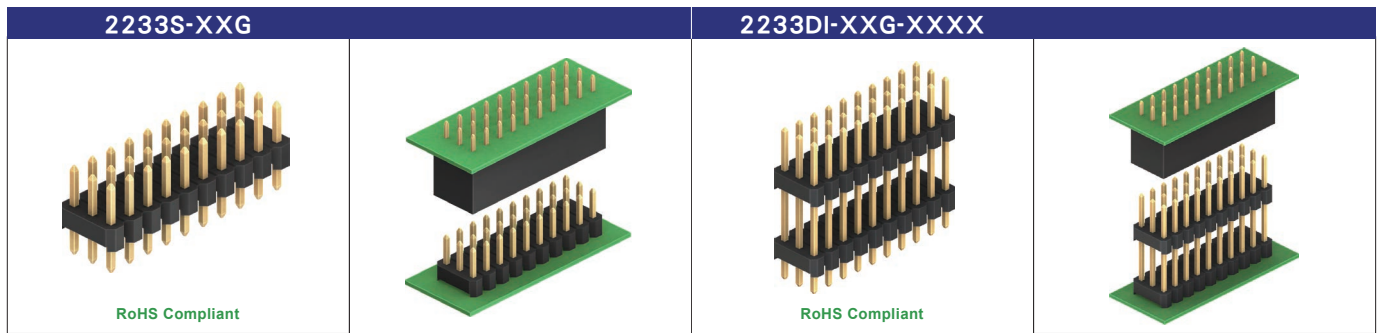
Pin Header & PCB Socket Series

2.54mm Pitch



Neltron Industrial Co., Ltd.

UNIT : mm

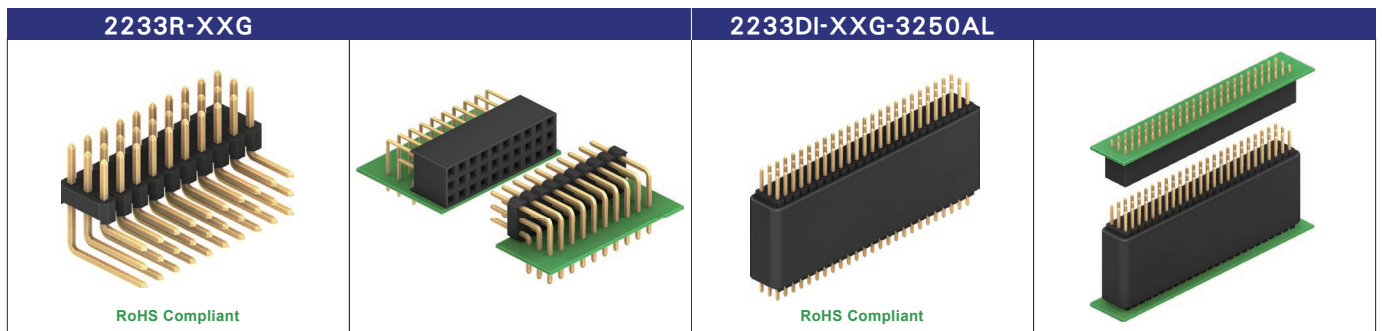


2233S-XXG
No. of Contacts
Straight Type

2233S-XXG Series:
2.54mm Pin Header Triple Rows
Straight Dip Type.
Mating Part:
2234 Series.

2233DI-XXG-XXXX
Special Length
No. of Contacts
Double Insulators

2233DI-XXG-XXXX Series:
2.54mm Pin Header Triple Rows
Double Insulators Straight Dip Type.
Mating Part:
2234 Series.

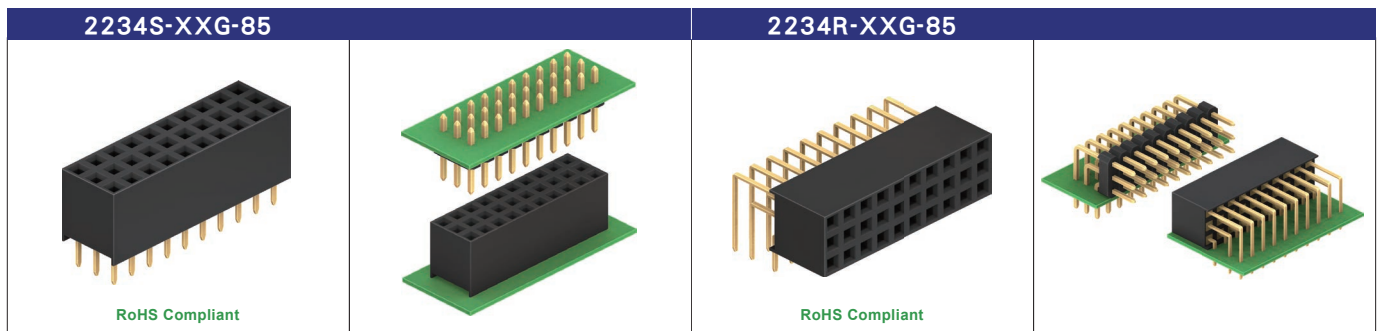


2233R-XXG
No. of Contacts
Right Angle Type

2233R-XXG Series:
2.54mm Pin Header Triple Rows
Right Angle Dip Type.
Mating Part:
2234 Series.

2233DI-XXG-3250AL
Special Length
No. of Contacts
Double Insulators

2233DI-XXG-3250AL Series:
2.54mm Pin Header Molding Triple
Rows EMI Shielding Straight Dip Type.
Mating Part:
2234 Series.

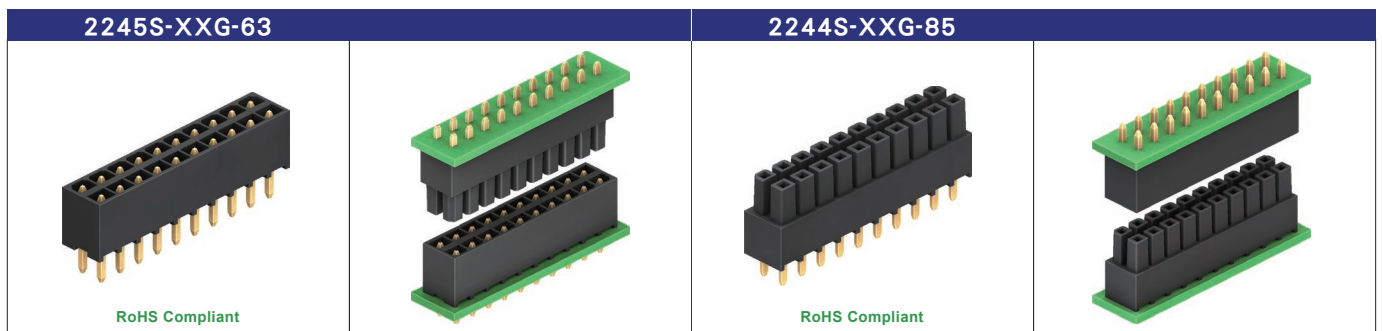


2234S-XXG-85
Insulator Height
85=8.5mm
No. of Contacts
Straight Type

2234S-XXG-85 Series:
2.54mm PCB Socket Triple Rows
Straight Dip Type (H=8.5).
Mating Part:
2233 Series.

2234R-XXG-85
Insulator Height
85=8.5mm
No. of Contacts
Right Angle Type

2234R-XXG-85 Series:
2.54mm PCB Socket Triple Rows
Right Angle Dip Type (H=8.5).
Mating Part:
2233 Series.



2245S-XXG-63
No. of Contacts
Straight Type

2245S-XXG-63 Series:
2.54mm Pin Header Double Rows
Straight Type.
Mating Part:
2244S-XXG-85 Series.

2244S-XXG-85
No. of Contacts
Straight Type

2244S-XXG-85 Series:
2.54mm PCB Socket Double Row
Straight Type.
2245S-XXG-63 Series.

Pin Header & PCB Socket Series

2.54/ 3.96mm Pitch



Neltron Industrial Co., Ltd.

UNIT : mm

2228XG-XX		2224S-XX	
<p>RoHS Compliant</p>		<p>RoHS Compliant</p>	
<p>2228XG-XX</p> <ul style="list-style-type: none"> Insulator Color Total Height A: 4.5mm/ B: 6.47mm C: 6.0mm/ D: 8.0mm E: 8.0mm/ G: 13.0mm 	<p>2228 Series:</p> <p>2.54mm Mini Jumper (Shunt).</p> <p>Mating Part:</p> <p>2213 or 2211 Series.</p>	<p>2224S-XX</p> <ul style="list-style-type: none"> No. of Contacts Straight Type 	<p>2224S-XX Series:</p> <p>2.54mm PCB Socket Straight Dip Type.</p> <p>Mating Part:</p> <p>2211 Series.</p>

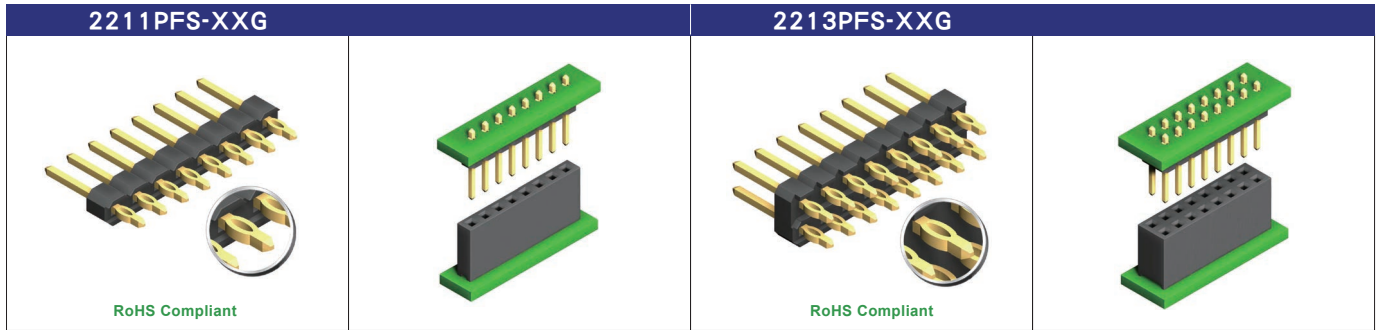
2224R-XX		2224BE-XX	
<p>RoHS Compliant</p>		<p>RoHS Compliant</p>	
<p>2224R-XX</p> <ul style="list-style-type: none"> No. of Contacts Right Angle Type 	<p>2224R-XX Series:</p> <p>2.54mm PCB Socket Right Angle Dip Type.</p> <p>Mating Part:</p> <p>2211 Series.</p>	<p>2224BE-XX</p> <ul style="list-style-type: none"> No. of Contacts Bottom Entry Type 	<p>2224BE-XX Series:</p> <p>2.54mm PCB Socket Bottom Entry Dip Type.</p> <p>Mating Part:</p> <p>2211 Series.</p>

41815S-XX		41815R-XX	
<p>RoHS Compliant</p>		<p>RoHS Compliant</p>	
<p>41815S-XX</p> <ul style="list-style-type: none"> No. of Contacts Straight Type 	<p>41815S-XX Series:</p> <p>3.96mm PCB Socket Straight Dip Type.</p> <p>Mating Part:</p> <p>2219 Series.</p>	<p>41815R-XX</p> <ul style="list-style-type: none"> No. of Contacts Right Angle Type 	<p>41815R-XX Series:</p> <p>3.96mm PCB Socket Right Angle Dip Type.</p> <p>Mating Part:</p> <p>2219 Series.</p>

41815BE-XX	
<p>RoHS Compliant</p>	
<p>41815BE-XX</p> <ul style="list-style-type: none"> No. of Contacts Bottom Entry Type 	<p>41815BE-XX Series:</p> <p>3.96mm PCB Socket Bottom Entry Dip Type.</p> <p>Mating Part:</p> <p>2219 Series.</p>

2.54mm Pitch

UNIT : mm



RoHS Compliant

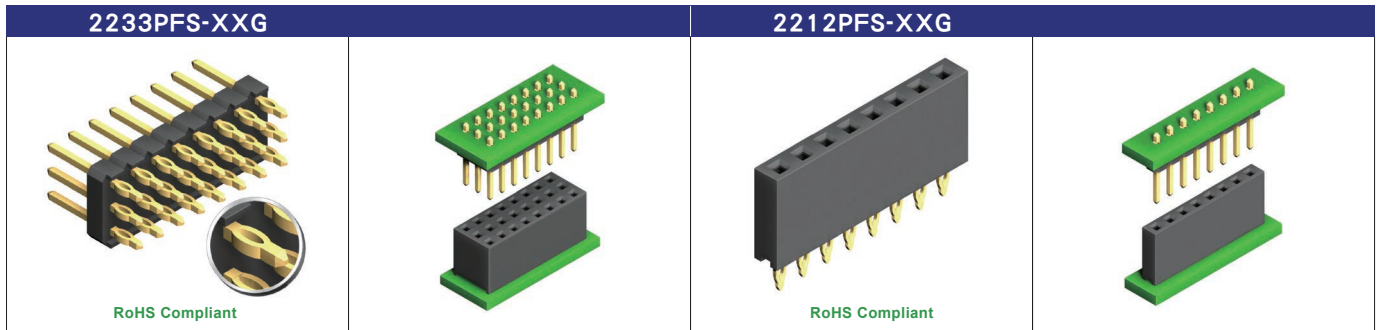
RoHS Compliant

2211PFS-XXG
 No. of Contacts
 Straight Type
 PF: Press-Fit

2211PFS-XXG Series:
 2.54mm Pin Header Single Rows
 Straight Dip & Press-Fit Type.
 Mating Part:
 2212PFS-XXG Series.

2213PFS-XXG
 No. of Contacts
 Straight Type
 PF: Press-Fit

2213PFS-XXG Series:
 2.54mm Pin Header Double Rows
 Straight Dip & Press-Fit Type.
 Mating Part:
 2214PFS-XXG Series.



RoHS Compliant

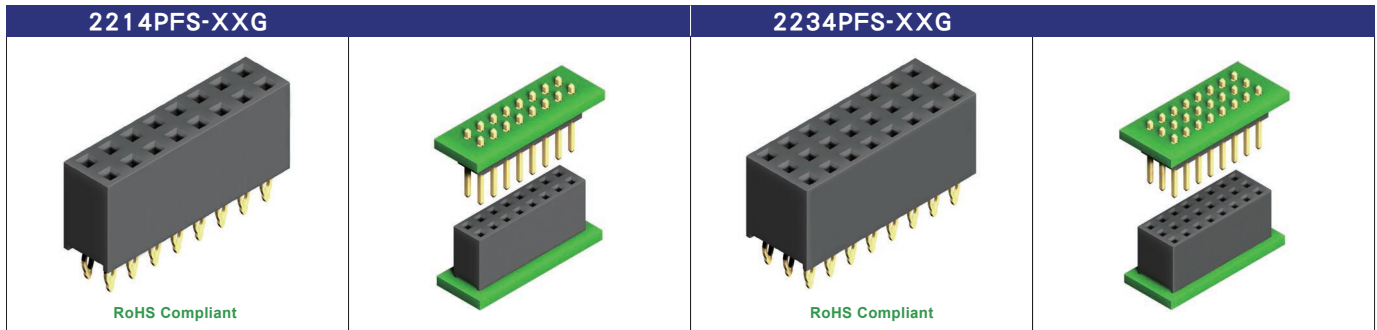
RoHS Compliant

2233PFS-XXG
 No. of Contacts
 Straight Type
 PF: Press-Fit

2233PFS-XXG Series:
 2.54mm Pin Header Triple Rows
 Straight Dip & Press-Fit Type.
 Mating Part:
 2234PFS-XXG Series.

2212PFS-XXG
 No. of Contacts
 Straight Type
 PF: Press-Fit

2212PFS-XXG Series:
 2.54mm PCB Socket Single Rows
 Straight Dip & Press-Fit Type.
 Mating Part:
 2211PFS-XXG Series.



RoHS Compliant

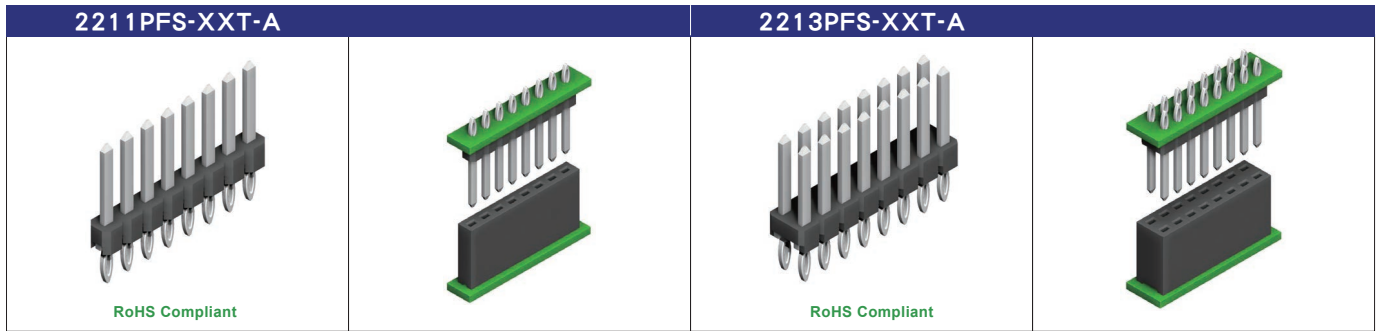
RoHS Compliant

2214PFS-XXG
 No. of Contacts
 Straight Type
 PF: Press-Fit

2214PFS-XXG Series:
 2.54mm PCB Socket Double
 Rows Straight Dip & Press-Fit Type.
 Mating Part:
 2213PFS1-XXG Series.

2234PFS-XXG
 No. of Contacts
 Straight Type
 PF: Press-Fit

2234PFS-XXG Series:
 2.54mm PCB Socket Triple Rows
 Straight Dip & Press-Fit Type.
 Mating Part:
 2233 Series.



RoHS Compliant

RoHS Compliant

2211PFS-XXT-A
 No. of Contacts
 Straight Type
 PF: Press-Fit


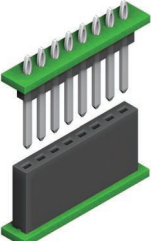

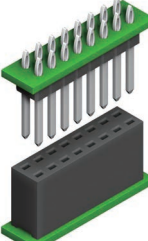
2211PFS-XXT-A Series:
 2.54mm Pin Header Single
 Rows Straight Dip & Press-Fit Type.
 Mating Part:
 2212PFS-XXG-A Series.

2213PFS-XXT-A
 No. of Contacts
 Straight Type
 PF: Press-Fit

2213PFS-XXT-A Series:
 2.54mm Pin Header Double Rows
 Straight Dip & Press-Fit Type.
 Mating Part:
 2214PFS-XXG-A Series.

2.54 / 3.50 / 4.00mm Pitch

UNIT : mm


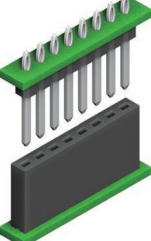

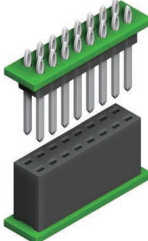
2351PFS-XXT-A		2353PFS-XXT-A	
			
RoHS Compliant		RoHS Compliant	

2351PFS-XXT-A
 No. of Contacts
 Straight Type
 PF: Press-Fit

2351PFS-XXT-A Series:
 3.50mm Pin Header Single Rows
 Straight Dip & Press-Fit Type.
 Mating Part:
 2352PFS-XXG-A Series.

2353PFS-XXT-A
 No. of Contacts
 Straight Type
 PF: Press-Fit

2353PFS-XXT-A Series:
 3.50mm Pin Header Double Rows
 Straight Dip & Press-Fit Type.
 Mating Part:
 2354PFS-XXG-A Series.

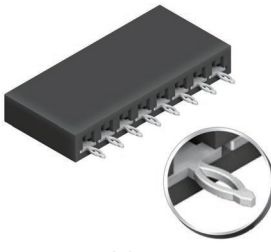
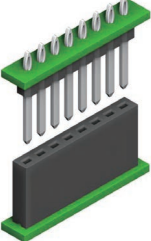
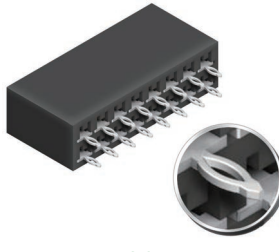
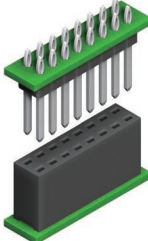
2401PFS-XXT-A		2403PFS-XXT-A	
			
RoHS Compliant		RoHS Compliant	

2401PFS-XXT-A
 No. of Contacts
 Straight Type
 PF: Press-Fit

2401PFS-XXT-A Series:
 4.00mm Pin Header Single Rows
 Straight Dip & Press-Fit Type.
 Mating Part:
 2402PFS-XXG-A Series.

2403PFS-XXT-A
 No. of Contacts
 Straight Type
 PFS: Press-Fit

2403PFS-XXT-A Series:
 4.00mm Pin Header Double Rows
 Straight Dip & Press-Fit Type.
 Mating Part:
 2404PFS-XXG-A Series.

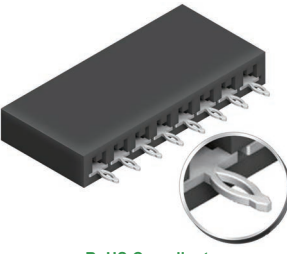
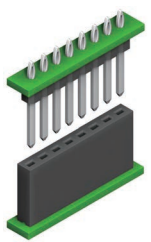
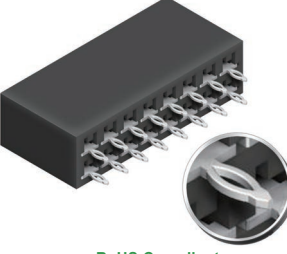
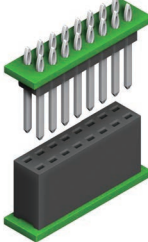
2212PFS-XXG-A		2214PFS-XXG-A	
			
RoHS Compliant		RoHS Compliant	

2212PFS-XXG-A
 No. of Contacts
 Straight Type
 PFS: Press-Fit

2212PFS-XXG-A Series:
 2.54mm PCB Socket Single Rows
 Straight Dip & Press-Fit Type.
 Mating Part:
 2211PFS-XXT-A Series.

2214PFS-XXG-A
 No. of Contacts
 Straight Type
 PFS: Press-Fit

2214PFS-XXG-A Series:
 2.54mm PCB Socket Double Rows
 Straight Dip & Press-Fit Type.
 Mating Part:
 2213PFS-XXT-A Series.

2352PFS-XXG-A		2353PFS-XXG-A	
			
RoHS Compliant		RoHS Compliant	

2352PFS-XXG-A
 No. of Contacts
 Straight Type
 PFS: Press-Fit

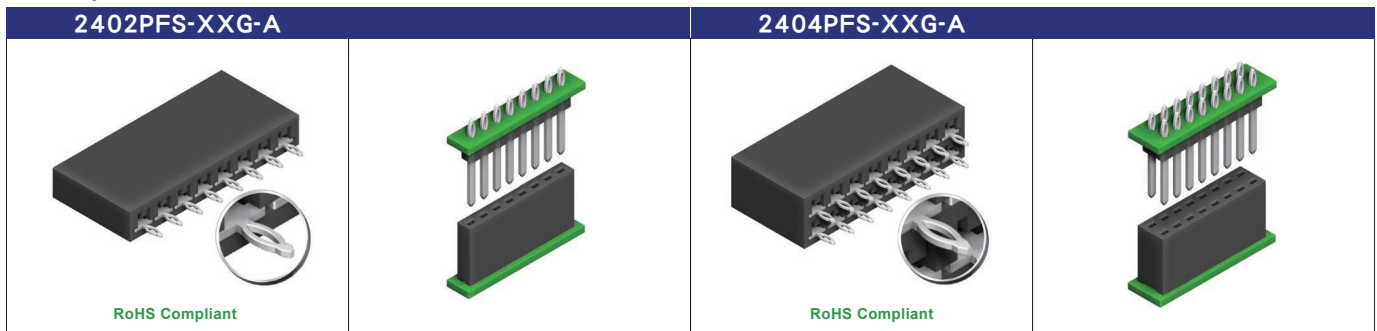
2351PFS-XXT-A Series:
 3.50mm PCB Socket Single Rows
 Straight Dip & Press-Fit Type.
 Mating Part:
 2351PFS-XXT-A Series.

2353PFS-XXG-A
 No. of Contacts
 Straight Type
 PFS: Press-Fit

2353PFS-XXG-A Series:
 3.50mm PCB Socket Double Rows
 Straight Dip & Press-Fit Type.
 Mating Part:
 2353PFS-XXT-A Series.

2.54 / 4.00mm Pitch

UNIT : mm

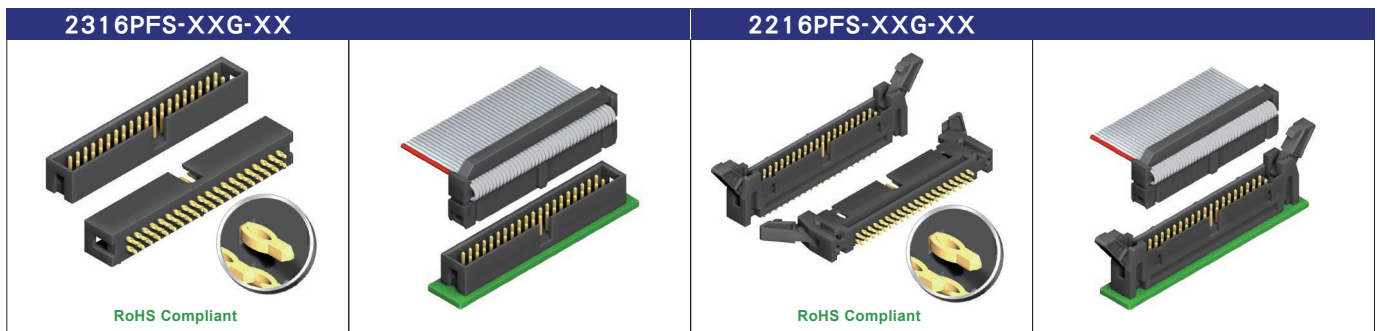


2402PFS-XXG-A
 No. of Contacts
 Straight Type
 PFS: Press-Fit

2402PFS-XXG-A Series:
 4.00mm PCB Socket Single Rows
 Straight Dip & Press-Fit Type.
 Mating Part:
 2401PFS-XXT-A Series.

2404PFS-XXG-A
 No. of Contacts
 Straight Type
 PFS: Press-Fit

2404PFS-XXG-A Series:
 4.00mm PCB Socket Double Rows
 Straight Dip & Press-Fit Type.
 Mating Part:
 2403PFS-XXT-A Series.



2316PFS-XXG-XX
 Ejector Length
 01: Short Ejector
 02: Long Ejector
 No. of Contacts
 Straight Type
 PFS: Press-Fit

2316PFS-XXG-XX Series:
 2.54mm Box Header Straight
 Dip & Press-Fit Type.
 Mating Part:
 4401 Series.

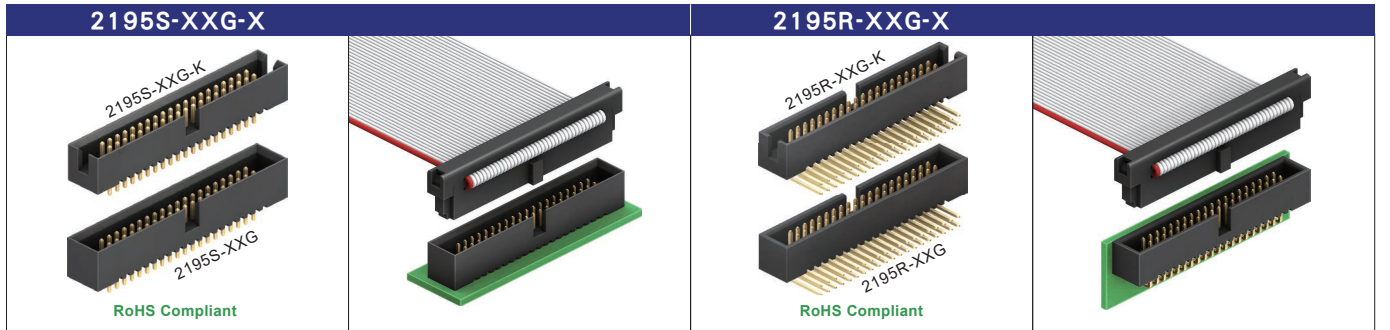
2216PFS-XXG-XX
 Ejector Length
 01: Short Ejector
 02: Long Ejector
 No. of Contacts
 Straight Type
 PFS: Press-Fit

2216PFS-XXG-XX Series:
 2.54mm Shrouded Header With
 Ejector Straight Dip & Press-Fit Type.
 Mating Part:
 4401 Series.

Box & Shrouded Header Series

1.27X1.27mm Pitch

UNIT : mm

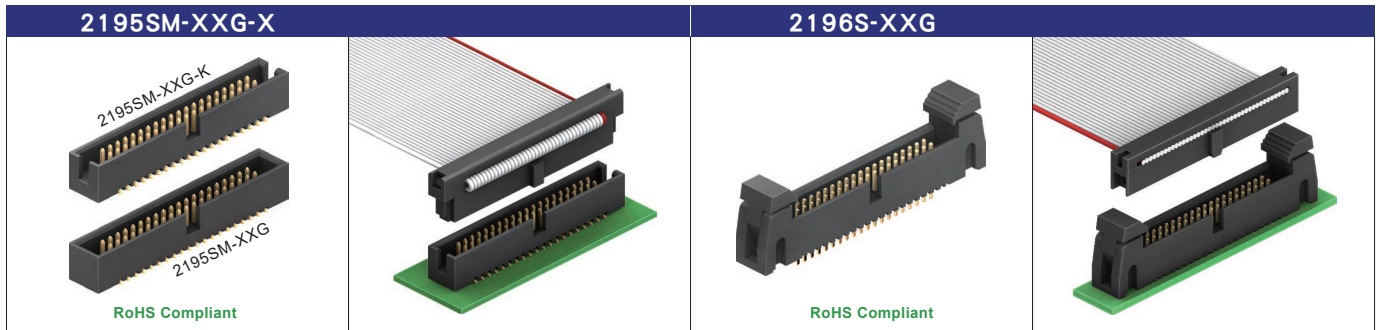


2195S-XXG-X
 Blank W/O Key
 K:With Key
 No. of Contacts
 Straight Type

2195S-XXG-X Series:
 1.27X1.27mm Box Header Straight
 Dip Type.
 Mating Part:
 4412 Series.

2195R-XXG-X
 Blank W/O Key
 K:With Key
 No. of Contacts
 Right Angle Type

2195R-XXG-X Series:
 1.27X1.27mm Box Header Right Angle
 Dip Type.
 Mating Part:
 4412 Series.

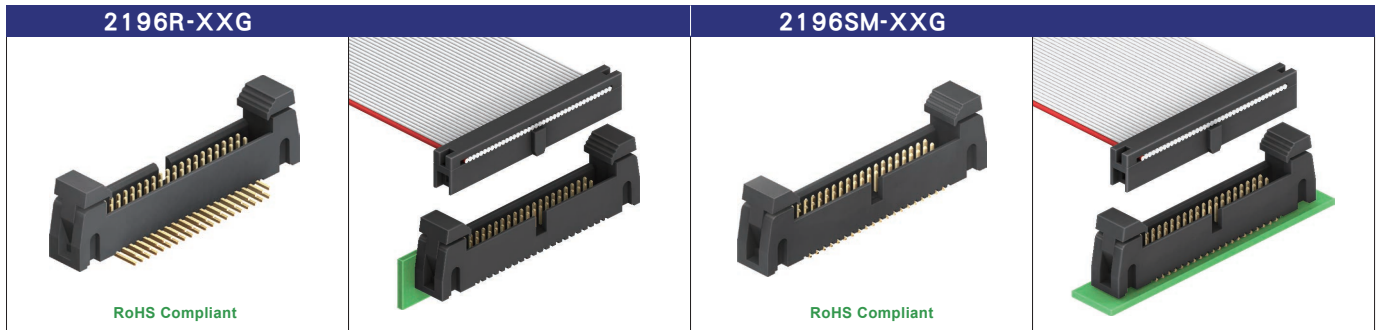


2195SM-XXG-X
 Blank W/O Key
 K:With Key
 No. of Contacts
 SMD Type

2195SM-XXG Series:
 1.27X1.27mm Box Header SMD Type.
 Mating Part:
 4412 Series.

2196S-XXG
 No. of Contacts
 Straight Type

2196S-XXG Series:
 1.27X1.27mm Shrouded Header With
 Ejector Straight Dip Type.
 Mating Part:
 4412 Series.

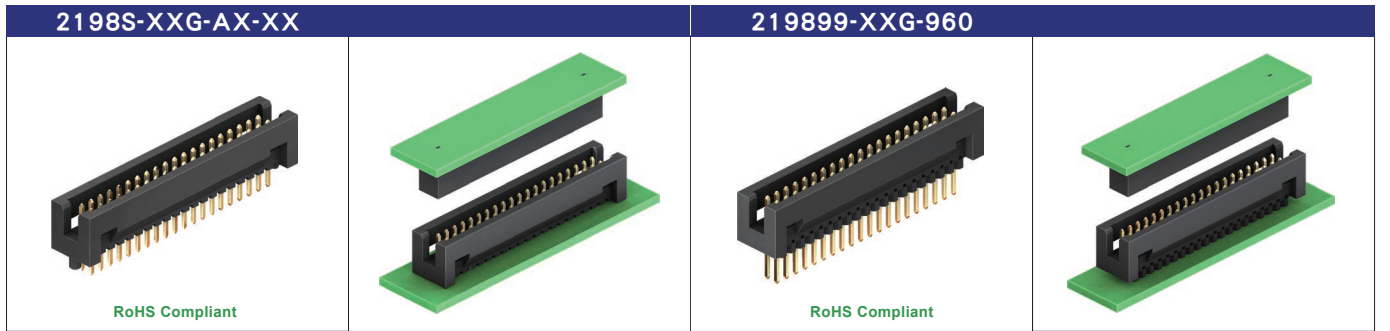


2196R-XXG
 No. of Contacts
 Right Angle Type

2196R-XXG Series:
 1.27X1.27mm Shrouded Header With
 Ejector Right Angle Dip Type.
 Mating Part:
 4412 Series.

2196SM-XXG
 No. of Contacts
 SMD Type

2196SM-XXG Series:
 1.27X1.27mm Shrouded Header With
 Ejector SMD Type.
 Mating Part:
 4412 Series.



2198S-XXG-AX-XX
 Blank: Standard
 PG: With Peg
 Dip Length
 A1=1.9mm
 A2=2.4mm
 A3=3.0mm
 No. of Contacts
 Straight Type

2198S-XXG-AX Series:
 1.27X1.27mm Box Header Without
 Key Straight Dip Type.
 Mating Part:
 2200SB Series.

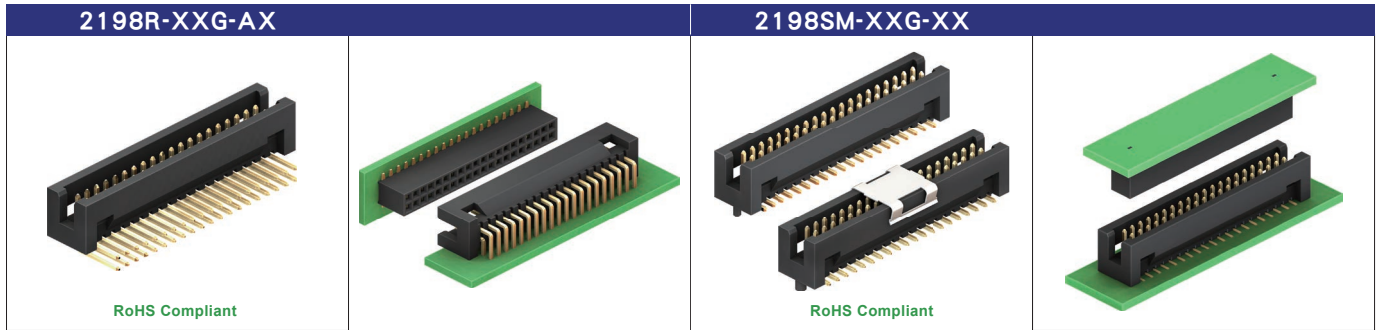
219899-XXG-960
 Special Length
 960:Standard Type
 No. of Contacts
 Straight Type

219899-XXG-960 Series:
 1.27X1.27mm Box Header
 Without Key Dual Body
 Elevated Straight Dip Type.
 Mating Part:
 2200SB Series.

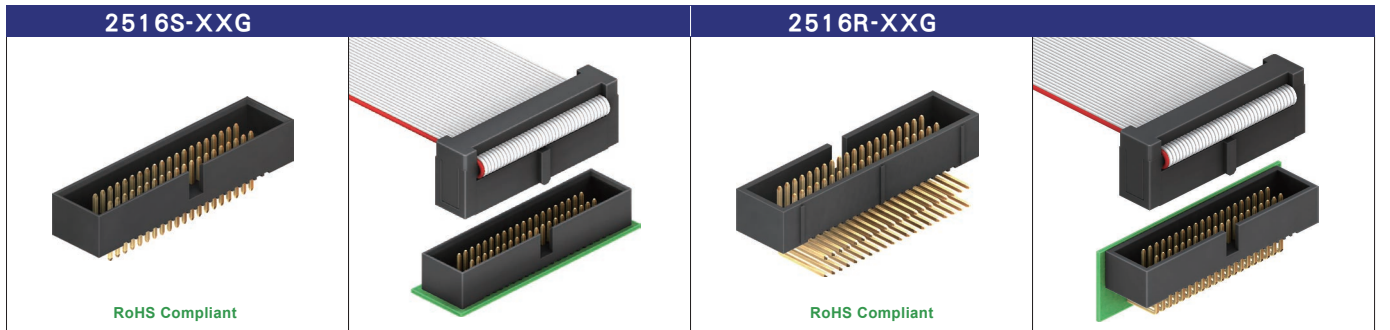
Box & Shrouded Header Series

1.27X1.27 / 1.27X2.54 / 2.00mm Pitch

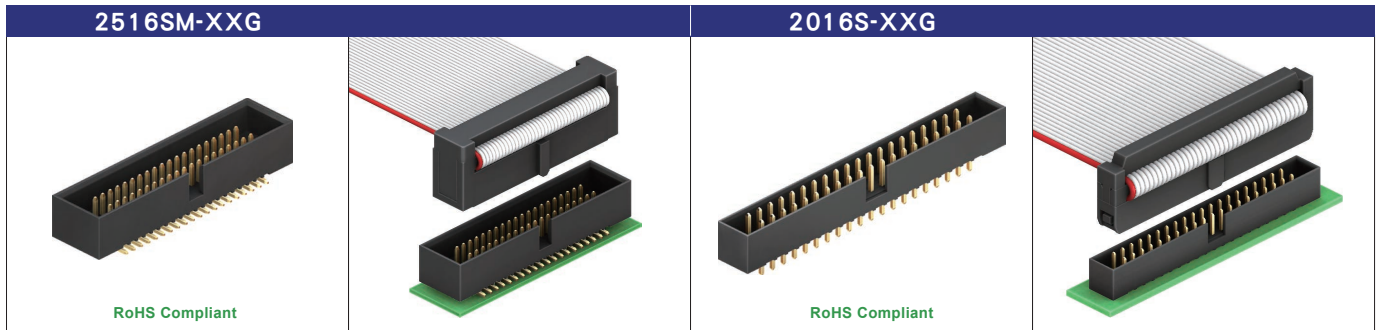
UNIT : mm



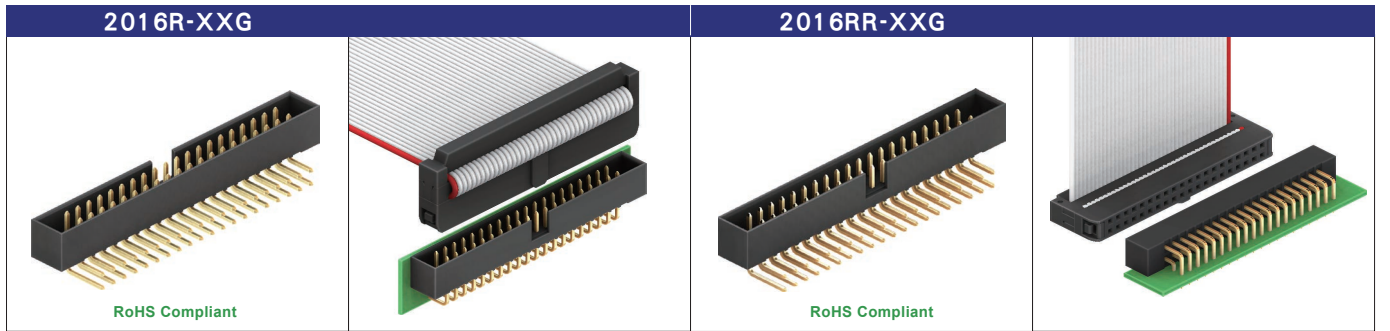
<p>2198R-XXG-AX</p> <ul style="list-style-type: none"> Dip Length A1=1.9mm A2=2.4mm A3=3.0mm No. of Contacts Right Angle Type 	<p>2198R-XXG-AX Series: 1.27X1.27mm Box Header Without Key Right Angle Dip Type. Mating Part: 2200SB Series.</p>	<p>2198SM-XXG-XX</p> <ul style="list-style-type: none"> Blank: Standard PG: With Peg No. of Contacts SMD Type 	<p>2198SM-XXG Series: 1.27X1.27mm Box Header Without Key SMD Type. Mating Part: 2200SB Series.</p>
--	---	--	---



<p>2516S-XXG</p> <ul style="list-style-type: none"> No. of Contacts Straight Type 	<p>2516S-XXG Series: 1.27X2.54mm Box Header Straight Dip Type. Mating Part: 4501 Series.</p>	<p>2516R-XXG</p> <ul style="list-style-type: none"> No. of Contacts Right Angle Type 	<p>2516R-XXG Series: 1.27X2.54mm Box Header Right Angle Dip Type. Mating Part: 4501 Series.</p>
--	---	---	--



<p>2516SM-XXG</p> <ul style="list-style-type: none"> No. of Contacts SMD Type 	<p>2516SM-XXG Series: 1.27X2.54mm Box Header SMD Type. Mating Part: 4501 Series.</p>	<p>2016S-XXG</p> <ul style="list-style-type: none"> No. of Contacts Straight Type 	<p>2016S-XXG Series: 2.00mm Box Header Straight Dip Type. Mating Part: 4400 Series.</p>
--	---	--	--

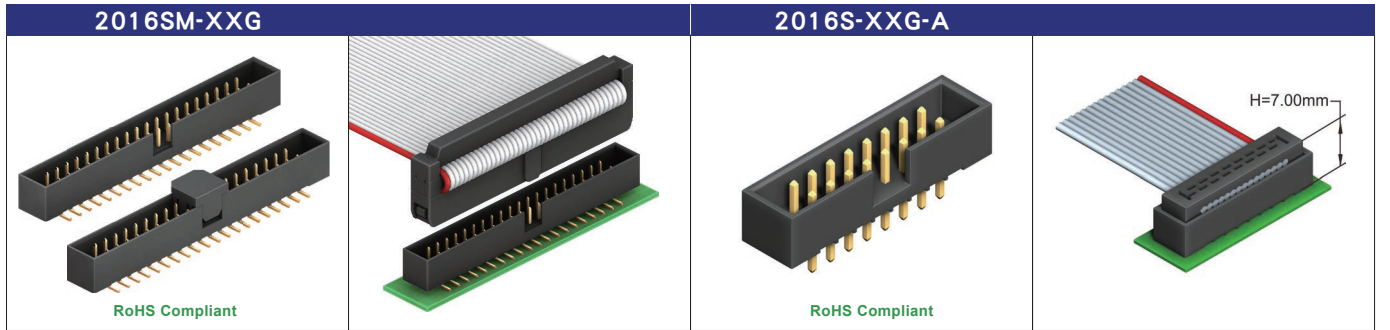


<p>2016R-XXG</p> <ul style="list-style-type: none"> No. of Contacts Right Angle Type 	<p>2016R-XXG Series: 2.00mm Box Header Right Angle Dip Type. Mating Part: 4400 Series.</p>	<p>2016RR-XXG</p> <ul style="list-style-type: none"> No. of Contacts Reverse Right Angle Type 	<p>2016RR-XXG Series: 2.00mm Box Header Reverse Right Angle Dip Type. Mating Part: 4400 Series.</p>
---	---	--	--

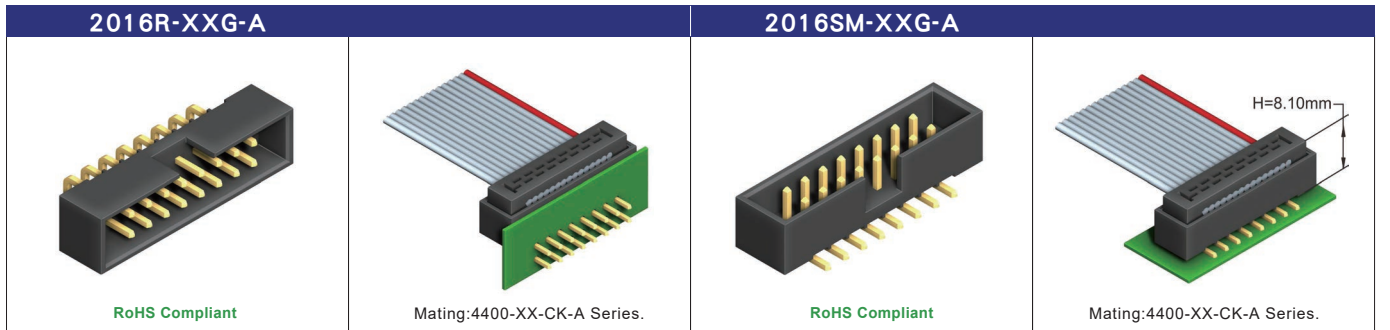
Box & Shrouded Header Series

2.00mm Pitch

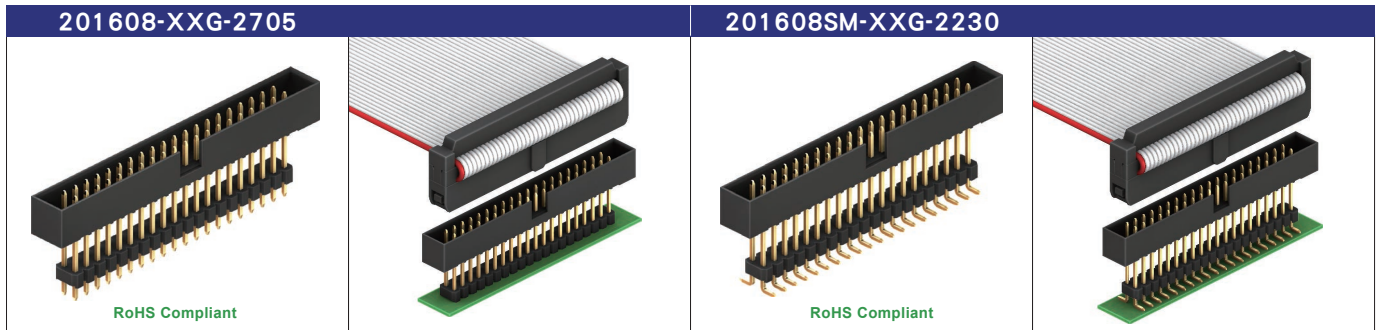
UNIT : mm



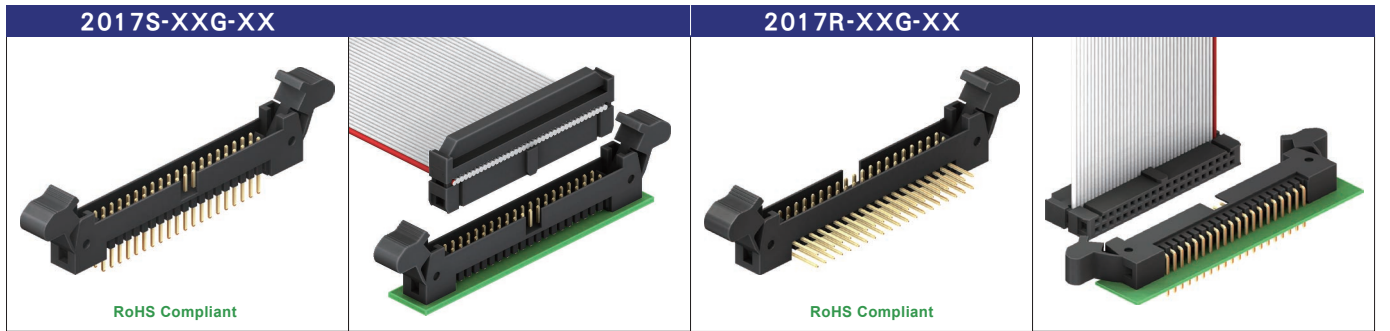
<p>2016SM-XXG</p> <ul style="list-style-type: none"> No. of Contacts SMD Type <p>2016SM-XXG Series: 2.00mm Box Header SMD Type. Mating Part: 4400 Series.</p>	<p>2016S-XXG-A</p> <ul style="list-style-type: none"> Low Profile No. of Contacts Straight Type <p>2016S-XXG-A Series: 2.00mm Box Header Straight Low Profile Type (Mating Height 7.00mm). Mating Part: 4400-XX-CK-A Series.</p>
--	--



<p>2016R-XXG-A</p> <ul style="list-style-type: none"> Low Profile No. of Contacts Right Angle Type <p>2016R-XXG-A Series: 2.00mm Box Header Right Angle Low Profile Type. Mating Part: 4400-XX-CK-A Series.</p>	<p>2016SM-XXG-A</p> <ul style="list-style-type: none"> Low Profile No. of Contacts SMD Type <p>2016SM-XXG-A Series: 2.00mm Box Header SMD Low Profile Type (Mating Height 8.10mm). Mating Part: 4400-XX-CK-A Series.</p>
---	--



<p>201608-XXG-2705</p> <ul style="list-style-type: none"> Special Length 2705: Standard No. of Contacts Straight Type <p>201608-XXG-2705 Series: 2.00mm Box Header Dual Body Elevated Straight Dip Type. Mating Part: 4400 Series.</p>	<p>201608SM-XXG-2230</p> <ul style="list-style-type: none"> Special Length 2230: Standard No. of Contacts SMD Type <p>201608SM-XXG-2230 Series: 2.00mm Box Header Dual Body Elevated SMD Type. Mating Part: 4400 Series.</p>
--	--

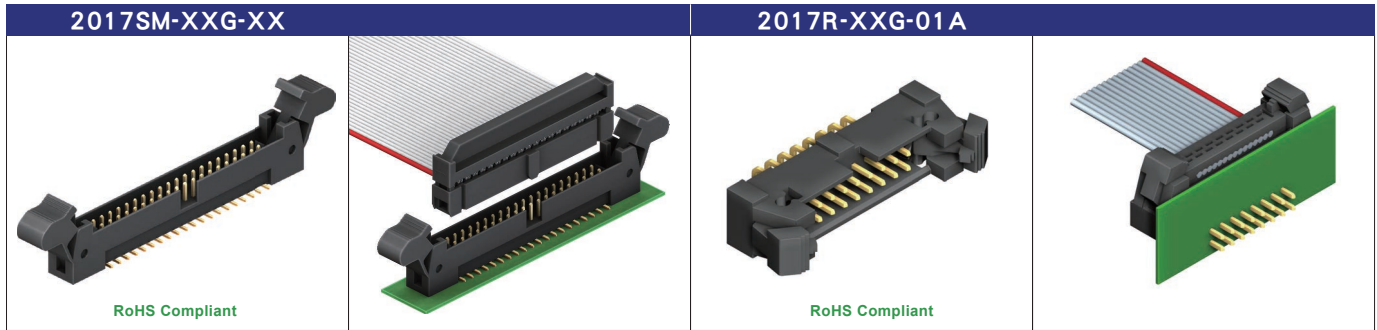


<p>2017S-XXG-XX</p> <ul style="list-style-type: none"> 01: Short Ejector 02: Long Ejector No. of Contacts Straight Type <p>2017S-XXG-XX Series: 2.00mm Shrouded Header With Ejector Straight Dip Type. Mating Part: 4400 Series.</p>	<p>2017R-XXG-XX</p> <ul style="list-style-type: none"> 01: Short Ejector 02: Long Ejector No. of Contacts Right Angle Type <p>2017R-XXG-XX Series: 2.00mm Shrouded Header With Ejector Right Angle Dip Type. Mating Part: 4400 Series.</p>
---	---

Box & Shrouded Header Series

2.00 / 2.54mm Pitch

UNIT : mm

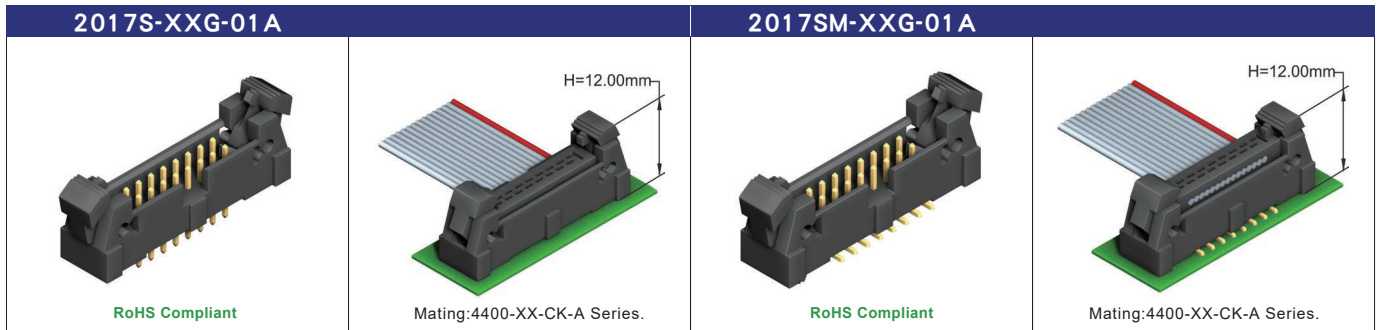


2017SM-XXG-XX
 01: Short Ejector
 02: Long Ejector
 No. of Contacts
 SMD Type

2017SM-XXG-XX Series:
 2.00mm Shrouded Header With
 Ejector SMD Type.
 Mating Part:
 4400 Series.

2017R-XXG-01A
 A: Low Profile
 01: Short Latch
 No. of Contacts
 Right Angle Type

2017R-XXG-01A Series:
 2.00mm Shrouded Header With
 Ejector Right Angle Dip Low Profile
 Type.
 Mating Part:
 4400-XX-CK-A Series.

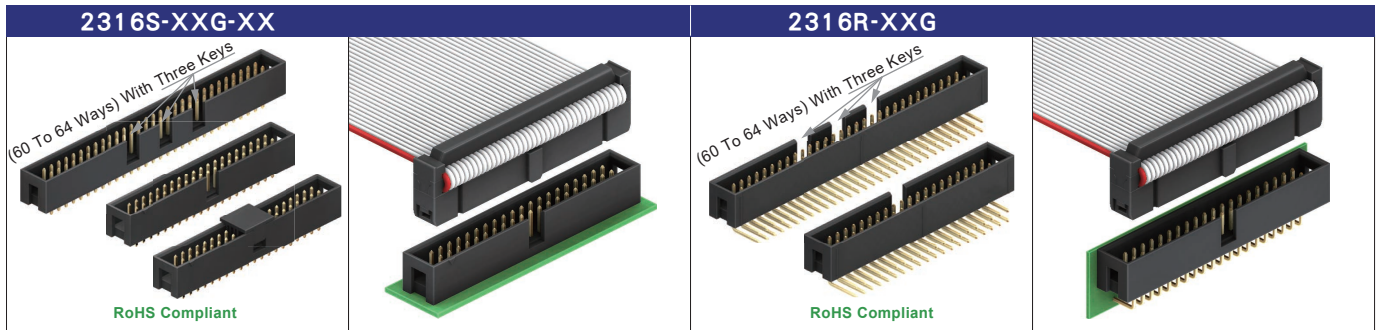


2017S-XXG-01A
 A: Low Profile
 01: Short Ejector
 No. of Contacts
 Straight Type

2017S-XXG-01A Series:
 2.00mm Shrouded Header With
 Ejector Straight Dip Low Profile Type
 (Mating Height 12.00mm).
 Mating Part:
 4400-XX-CK-A Series.

2017SM-XXG-01A
 A: Low Profile
 01: Short Latch
 No. of Contacts
 SMD Type

2017SM-XXG-01A Series:
 2.00mm Shrouded Header With
 Ejector SMD Low Profile Type
 (Mating Height 12.00mm).
 Mating Part:
 4400-XX-CK-A Series.



2316S-XXG-XX
 Blank: Standard
 PG: With Peg
 No. of Contacts
 Straight Type

2316S-XXG-XX Series:
 2.54mm Box Header Straight
 Dip Type.
 Mating Part:
 4401 Series.

2316R-XXG
 No. of Contacts
 Right Angle Type

2316R-XXG Series:
 2.54mm Box Header Right Angle
 Dip Type.
 Mating Part:
 4401 Series.



2316SM-XXG-XX
 Blank: Standard
 PG: With Peg
 No. of Contacts
 SMD Type

2316SM-XXG-XX Series:
 2.54mm Box Header SMD Type.
 Mating Part:
 4401 Series.

2316113-XXG-1500
 Special Length
 1500=15.00mm
 No. of Contacts
 Straight Type

2316113-XXG-1500 Series:
 2.54mm Box Header Dual Body
 Elevated Straight Dip Type.
 Mating Part:
 4401 Series.

Box & Shrouded Header Series

2.54mm Pitch

UNIT : mm

2316113SM-XXG-1300		2316S-XXG-XX	
			
<p>RoHS Compliant</p> <p>2316113SM-XXG-1300</p> <ul style="list-style-type: none"> Special Length 1300=13.0mm No. of Contacts SMD Type 	<p>2316113SM-XXG-1300 Series: 2.54mm Box Header Dual Body Elevated SMD Type.</p> <p>Mating Part: 4401 Series.</p>	<p>RoHS Compliant</p> <p>2316S-XXG-XX</p> <ul style="list-style-type: none"> Ejector Length 01: Short Ejector 02: Long Ejector No. of Contacts Straight Type 	<p>2316S-XXG-XX Series: 2.54mm Box Header With Ejector Straight Dip Type.</p> <p>Mating Part: 4401 Series.</p>
2316R-XXG-XX		2316SM-XXG-XX	
			
<p>RoHS Compliant</p> <p>2316R-XXG-XX</p> <ul style="list-style-type: none"> Ejector Length 01: Short Ejector 02: Long Ejector No. of Contacts Right Angle Type 	<p>2316R-XXG-XX Series: 2.54mm Box Header With Ejector Right Angle Dip Type.</p> <p>Mating Part: 4401 Series.</p>	<p>RoHS Compliant</p> <p>2316SM-XXG-XX</p> <ul style="list-style-type: none"> Ejector Length 01: Short Ejector 02: Long Ejector No. of Contacts SMD Type 	<p>2316SM-XXG-XX Series: 2.54mm Box Header With Ejector SMD Type.</p> <p>Mating Part: 4401 Series.</p>
2216S-XXG-XX		2216R-XXG-XX	
			
<p>RoHS Compliant</p> <p>2216S-XXG-XX</p> <ul style="list-style-type: none"> (50, 60 and 64 Ways) With Three Keys Ejector Length 01: Short Ejector 02: Long Ejector No. of Contacts Straight Type 	<p>2216S-XXG-XX Series: 2.54mm Shrouded Header With Ejector Straight Dip Type.</p> <p>Mating Part: 4401 Series.</p>	<p>RoHS Compliant</p> <p>2216R-XXG-XX</p> <ul style="list-style-type: none"> (50, 60 and 64 Ways) With Three Keys Ejector Length 01: Short Ejector 02: Long Ejector No. of Contacts Right Angle Type 	<p>2216R-XXG-XX Series: 2.54mm Shrouded Header With Ejector Right Angle Dip Type.</p> <p>Mating Part: 4401 Series.</p>
2216SM-XXG-XX		2216RB-XXSG-02X	
			
<p>RoHS Compliant</p> <p>2216SM-XXG-XX</p> <ul style="list-style-type: none"> (50, 60 and 64 Ways) With Three Keys Ejector Length 01: Short Ejector 02: Long Ejector No. of Contacts SMD Type 	<p>2216SM-XXG-XX Series: 2.54mm Shrouded Header With Ejector SMD Type.</p> <p>Mating Part: 4401 Series.</p>	<p>RoHS Compliant</p> <p>2216RB-XXSG-02X</p> <ul style="list-style-type: none"> Long Ejector Selective Gold Plated No. of Contacts Double Ports Right Angle Type 	<p>2216RB-XXSG-02X Series: 2.54mm Shrouded Header With Long Ejector Double Ports Right Angle Type.</p> <p>Mating Part: 5118H-XXSR Series.</p>

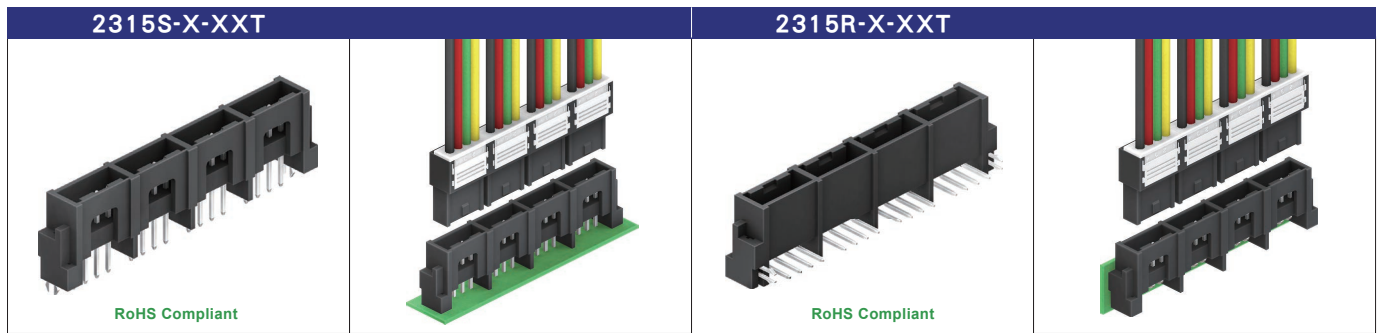
Box & Shrouded Header Series

2.54mm Pitch



Neltron Industrial Co., Ltd.

UNIT : mm



2315S-X-XXT
 No. of Contacts
 No. of Ports
 Straight Type

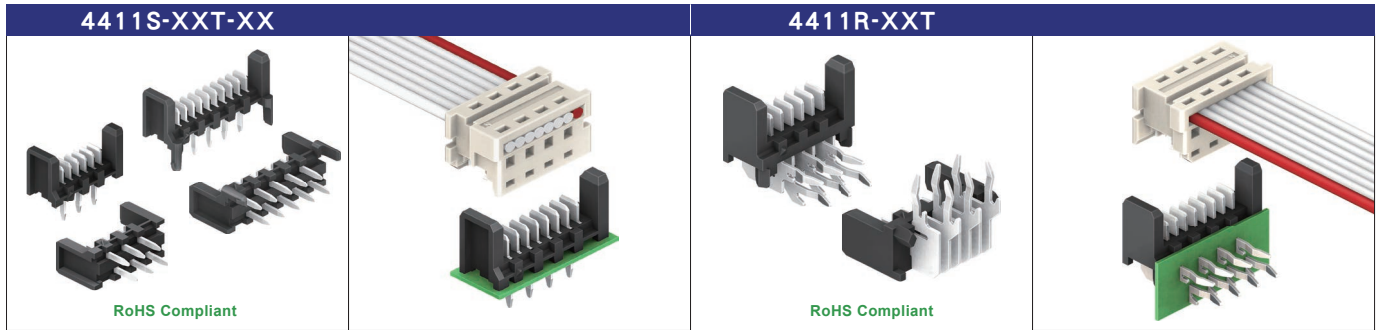
2315S-X-XXT Series:
 2.54mm PCB Mount Header
 Straight Dip Type.
 Mating Part:
 2314H-04 Series.

2315R-X-XXT
 No. of Contacts
 No. of Ports
 Right Angle Type

2315R-X-XXT Series:
 2.54mm PCB Mount Header
 Right Angle Dip Type.
 Mating Part:
 2314H-04 Series.

1.27 / 2.00mm Pitch

UNIT : mm

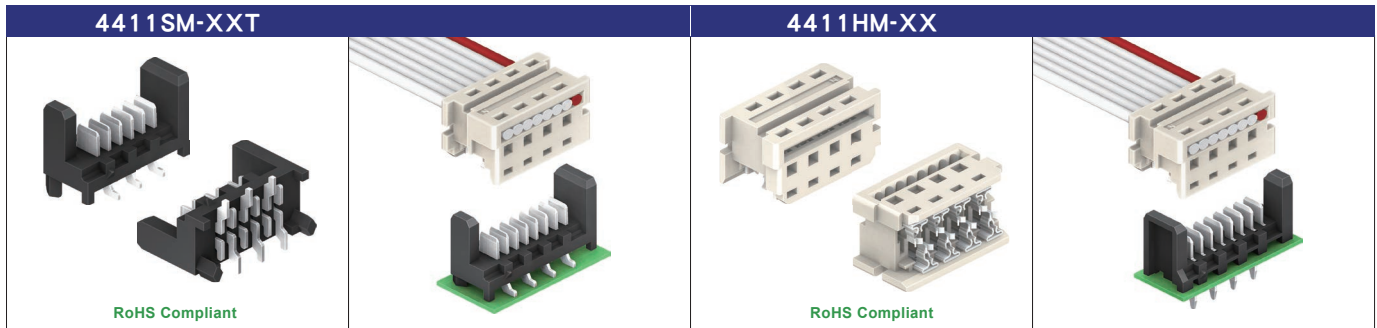


4411S-XXT-XX
 Blank: Without Peg
 PG: With Peg
 No. of Contacts
 Straight Type

4411S-XXT Series:
 1.27mm IDC Connector
 Straight Dip Type.
 Mating Part:
 4411HM-XX Series.

4411R-XXT
 No. of Contacts
 Right Angle Type

4411R-XXT Series:
 1.27mm IDC Connector Right
 Angle Dip Type.
 Mating Part:
 4411HM-XX Series.

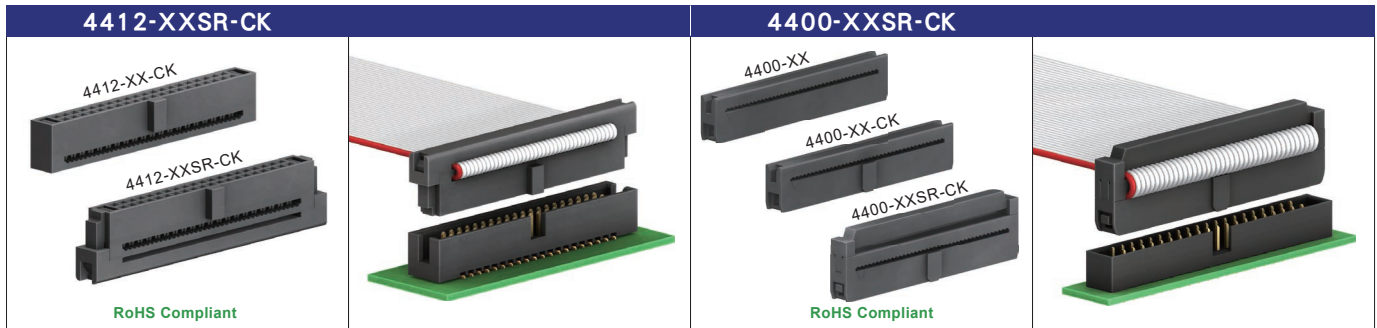


4411SM-XXT
 No. of Contacts
 SMD Type

4411SM-XXT Series:
 1.27mm IDC Connector
 SMD Type.
 Mating Part:
 4411HM-XX Series.

4411HM-XX
 No. of Contacts
 Housing

4411HM-XX Series:
 1.27mm Socket Housing Flat
 Cable IDC Type Connector.
 Mating Part:
 4411S(R)(SM)-XX Series.

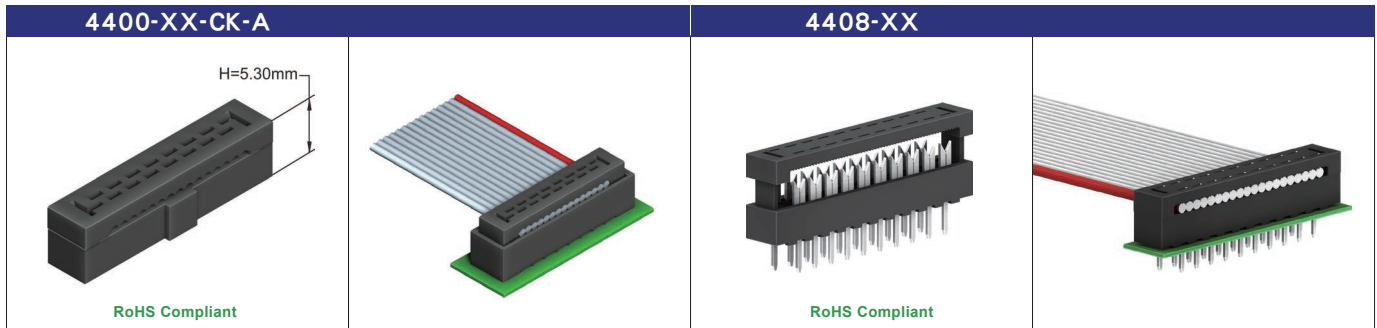


4412-XXSR-CK
 Blank: Without Center Key
 CK: With Center Key
 Blank: Without Strain Relief
 SR: With Strain Relief
 No. of Contacts

4412-XXSR-CK Series:
 1.27mm IDC Socket.
 Mating Part:
 2195S(R)(SM)-XXG-K Series.

4400-XXSR-CK
 Blank: Without Center Key
 CK: With Center Key
 Blank: Without Strain Relief
 SR: With Strain Relief
 No. of Contacts

4400-XXSR-CK Series:
 2.00mm IDC Socket.
 Mating Part:
 2016S(R)(SM)-XXG Series.



4400-XX-CK-A
 Low Profile
 With Center Key
 No. of Contacts


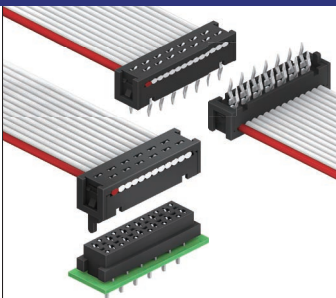
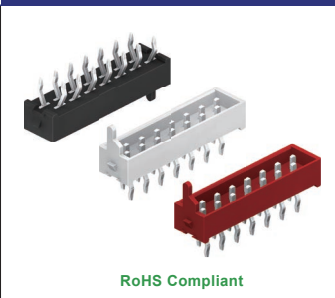
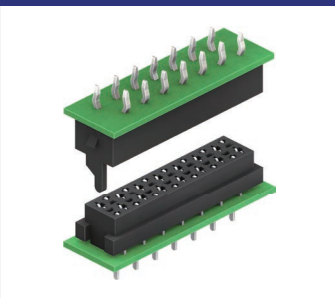
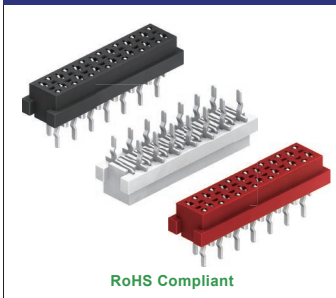
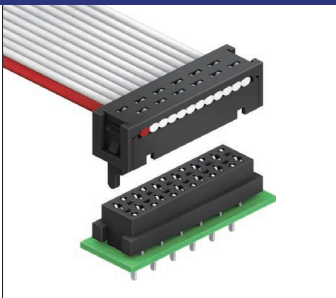
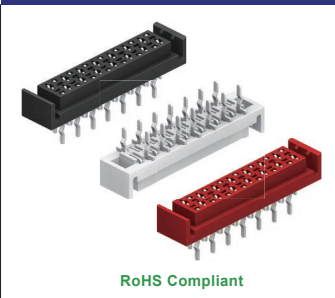
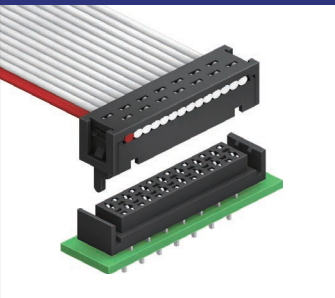
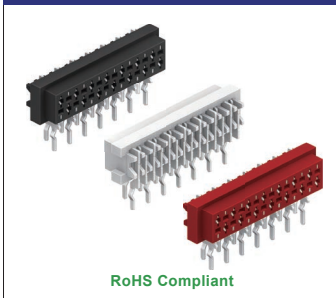
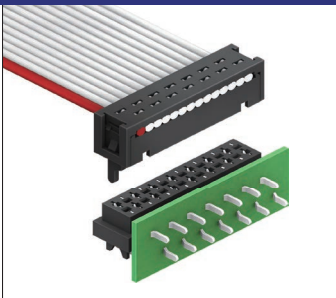
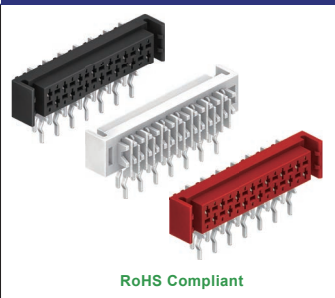
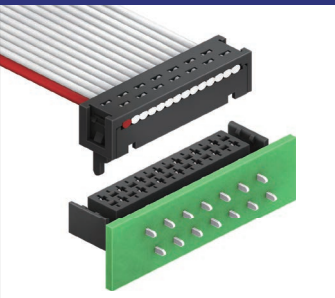
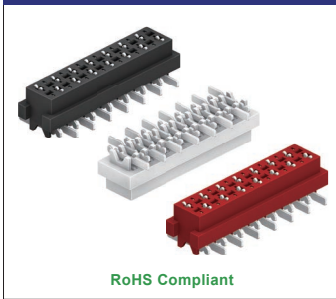
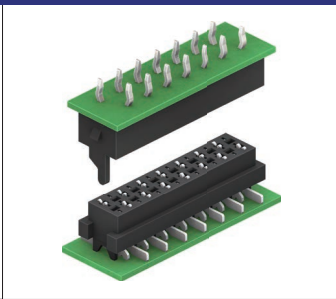
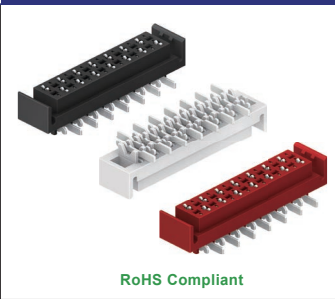
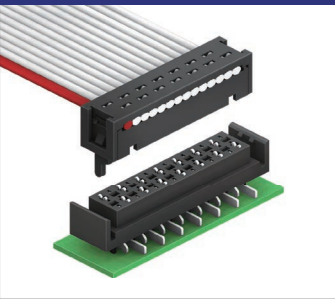
4400-XX-CK-A Series:
 2.00mm IDC Socket Low Profile
 Type.
 Mating Part:
 2016S(R)(SM)-XXG-A Series.

4408-XX
 No. of Contacts

4408-XX Series:
 2.00mm IDC Plug Dip Type.
 4408-XX Mating
 2.0mm PC. Board.

2.54mm Pitch

UNIT : mm

4409-XX-XX		4409AP-XX-XX	
			
4409-XX-XX Blank: Standard (Red Color) BK: Black WH: White No. of Contacts 4409: Paddle Board Type 4409A: Plug on Wire Type	4409(A)-XX-XX Series: 2.54mm IDC Connector (Paddle Board Type & Plug on Wire Type). Mating Part: 4409-XX-XX Mating PC. Board 4409A-XX-XX Mating 4409AR, 4409AS, 4409SM Series.	4409AP-XX-XX Blank: Standard (Red Color) BK: Black, WH: White No. of Contacts Plug Type	4409AP-XX Series: 2.54mm IDC Connector Plug Dip Type. Mating Part: 4409AR, 4409AS, 4409SM Series.
4409AS-XX-XX		4409AS-XX-A-XX	
			
4409AS-XX-XX Blank: Standard (Red Color) BK: Black WH: White No. of Contacts Straight Type	4409AS-XX Series: 2.54mm PCB Connector Socket Straight Dip Type. Mating Part: 4409A, 4409AP Series.	4409AS-XX-A-XX Blank: Standard (Red Color) BK: Black, WH: White Blank: Standard, A: With Lock No. of Contacts Straight Type	4409AS-XX-A Series: 2.54mm PCB Connector Socket With Lock Straight Dip Type. Mating Part: 4409A, 4409AP Series.
4409AR-XX-XX		4409AR-XX-A-XX	
			
4409AR-XX-XX Blank: Standard (Red Color) BK: Black, WH: White No. of Contacts Right Angle Type	4409AR-XX Series: 2.54mm PCB Connector Socket Right Angle Dip Type. Mating Part: 4409A, 4409AP Series.	4409AR-XX-A-XX Blank: Standard (Red Color) BK: Black, WH: White With Lock No. of Contacts Right Angle Type	4409AR-XX-A-XX Series: 2.54mm PCB Connector Socket With Lock Right Angle Dip Type. Mating Part: 4409A, 4409AP Series.
4409SM-XX-XX		4409SM-XX-A-XX	
			
4409SM-XX-XX Blank: Standard (Red Color) BK: Black, WH: White No. of Contacts SMD Type	4409SM-XX Series: 2.54mm PCB Connector Socket SMD Type. Mating Part: 4409A, 4409AP Series.	4409SM-XX-A-XX Blank: Standard (Red Color) BK: Black, WH: White A: With Lock No. of Contacts SMD Type	4409SM-XX-A Series: 2.54mm PCB Connector Socket With Lock SMD Type. Mating Part: 4409A, 4409AP Series.

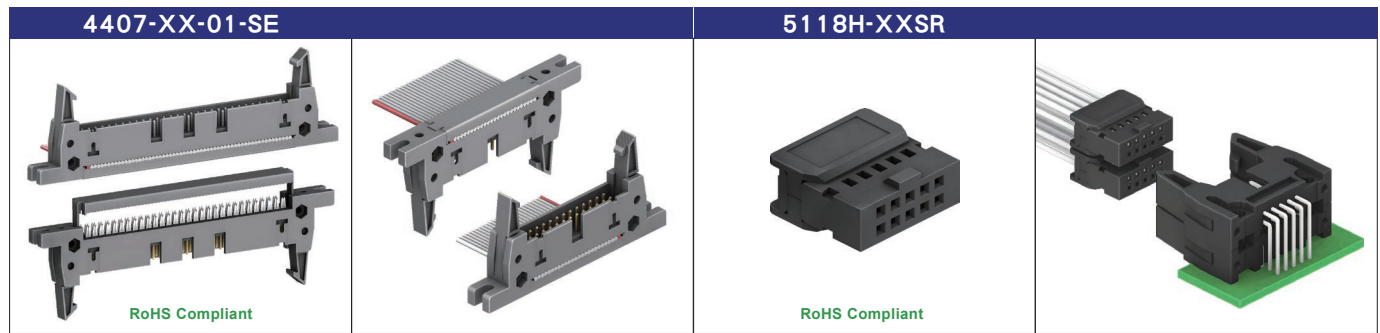
2.54mm Pitch

UNIT : mm

4401-XXSR-XX		4401-XXSR-XX	
 <p>RoHS Compliant</p>		 <p>RoHS Compliant</p>	
<p>4401-XXSR-XX</p> <ul style="list-style-type: none"> Blank: With Center Key 01: Without Center Key Blank: Without Strain Relief SR: With Strain Relief No. of Contacts 	<p>4401-XXSR Series: 2.54mm IDC Socket. Mating Part: 2216 & 2316S Series.</p>	<p>4401-XXSR-XX</p> <ul style="list-style-type: none"> BU: Blue; GR: Grey RD: Red; YL: Yellow GN: Green; WH: White SR: With Strain Relief No. of Contacts 	<p>4401-XXSR Series: 2.54mm IDC Socket. Mating Part: 2216 & 2316S Series.</p>
4401-XXSRA-XX-XX		4401A-XXSR-XX-XX-SJ	
 <p>RoHS Compliant</p>		 <p>RoHS Compliant</p>	
<p>4401-XXSRA-XX-XX</p> <ul style="list-style-type: none"> Blank Black Color BU: Blue; GR: Grey Blank: With Center Key 01: Without Center Key SRA: With Butterfly Strain Relief No. of Contacts 	<p>4401-XXSRA Series: 2.54mm IDC Socket. Mating Part: 2316S Series.</p>	<p>4401A-XXSR-XX-XX-SJ</p> <ul style="list-style-type: none"> 2 Side Contact Blank: Black; GR: Grey BU: Blue; GN: Green Blank: Selective Gold 1u" 05: Selective Gold 5u" 15: Selective Gold 15u" SR: With Strain Relief No. of Contacts 	<p>4401A-XXSR-XX-XX-SJ Series: 2.54mm IDC Socket with Strain Relief. Mating Part: 2216 & 2316S Series.</p>
4402-XXSR		4403-XXX-LP-XX	
 <p>RoHS Compliant</p>		 <p>RoHS Compliant</p>	
<p>4402-XXSR</p> <ul style="list-style-type: none"> Blank: Without Strain Relief SR: With Strain Relief No. of Contacts 	<p>4402-XXSR Series: 2.54mm Socket IDC Card Edge Connector. Mating Part: PC. Board.</p>	<p>4403-XXX-LP-XX</p> <ul style="list-style-type: none"> Blank: Standard Insulator Height 45=4.5mm, 60=6.0mm Blank: Standard LP: Low Profile T: Tin Plated G: Gold Plated No. of Contacts 	<p>4403-XX-LP-XX Series: 2.54mm Plug IDC Transition Connector Dip Type. Mating Part: PC. Board.</p>
4404A-XX		4406-XXSR-01	
 <p>RoHS Compliant</p>		 <p>RoHS Compliant</p>	
<p>4404A-XX</p> <ul style="list-style-type: none"> No. of Contacts Row to Row Space A: 7.62mm B: 15.24mm 	<p>4404A(B)-XX Series: 2.54mm Plug IDC Connector Dip Type(Space:A , B Type). Mating Part: PC. Board.</p>	<p>4406-XXSR-01</p> <ul style="list-style-type: none"> Blank: With Mounting Ear 01: Without Mounting Ear Blank: Without Strain Relief SR: With Strain Relief No. of Contacts 	<p>4406-XXSR-01 Series: 2.54mm Box Header IDC Type Connector. Mating Part: 4401 Series.</p>

2.54mm Pitch

UNIT : mm



4407-XX-01-SE

- Blank: Long Ejector
- Blank: Short Ejector
- Blank: With Mounting Ear
- 01: Without Mounting Ear
- No. of Contacts

4407-XX-01-SE Series:
2.54mm IDC Header With Ejector.
Mating Part: 4401 Series.

5118H-XXSR


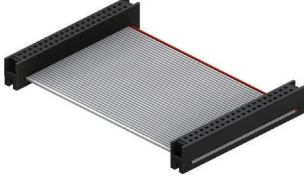
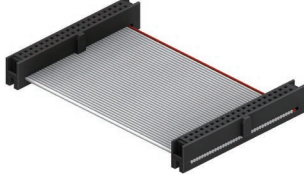
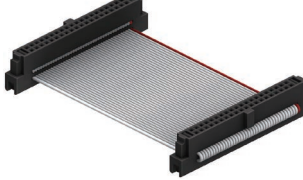
- With SR
- No. of Contacts

5118H-XXSR Series:
2.54mm IDC Socket
Mating Part:
2216RA(RB)-XXG-02.

IDC Flat Cable Assembly

1.27 / 2.00 / 2.54mm

UNIT : mm

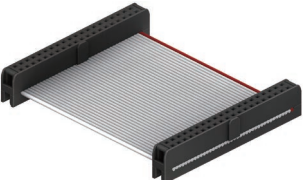

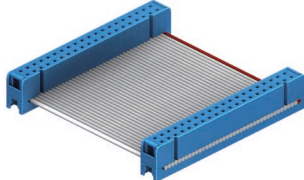
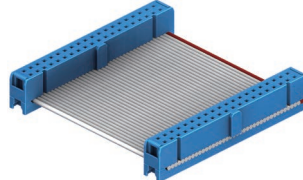
4411H-XXT_X2	4412-XX_X2	4412-XX-CK_X2	4412-XXSR-CK_X2
			
RoHS Compliant	RoHS Compliant	RoHS Compliant	RoHS Compliant

1.27mm IDC Cable Assembly.
4411H-XXT_X2
T : Tin Plated
No. of Contacts

1.27mm IDC Cable Assembly.
4412-XX_X2
No. of Contacts

1.27mm IDC Cable Assembly.
4412-XX-CK_X2
CK: With Center Key
No. of Contacts

1.27mm IDC Cable Assembly.
4412-XXSR-CK_X2
CK: With Center Key
SR: With Strain Relief
No. of Contacts

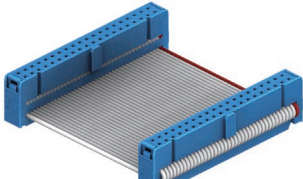



4400-XX-CK_X2	4400-XXSR-CK_X2	4401-XX-XX-01_X2	4401-XX-XX_X2
			
RoHS Compliant	RoHS Compliant	RoHS Compliant	RoHS Compliant

2.00mm IDC Cable Assembly.
4401-XX-CK_X2
CK : With Center Key
No. of Contacts

2.00mm IDC Cable Assembly.
4401-XXSR-CK_X2
CK : With Center Key
SR: With Strain Relief
No. of Contacts

2.54mm IDC Cable Assembly.
4401-XX-XX-01_X2
01: Without Center Key
BU: Blue ; GR: Grey
RD:Red ; YL:Yellow
GN:Green ; WH:White
No. of Contacts

2.54mm IDC Cable Assembly.
4401-XX-XX_X2
BU: Blue ; GR: Grey
RD:Red ; YL:Yellow
GN:Green ; WH:White
No. of Contacts

4401-XXSR-XX_X2	4402-XX_X2	4402-XXSR_X2	4409-XX-XX_X2
			
RoHS Compliant	RoHS Compliant	RoHS Compliant	RoHS Compliant

2.54mm IDC Cable Assembly.
4401-XXSR-XX_X2
BU: Blue ; GR: Grey
RD:Red ; YL:Yellow
GN:Green ; WH:White
Blank: Without Strain Relief
SR: With Strain Relief
No. of Contacts

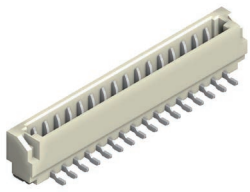
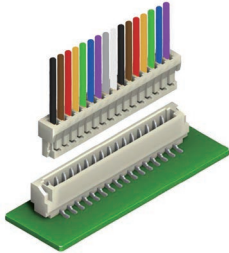

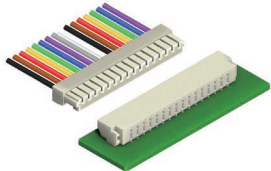
2.54mm IDC Cable Assembly.
4402-XX_X2
No. of Contacts

2.54mm IDC Cable Assembly.
4402-XXSR_X2
SR: With Strain Relief
No. of Contacts

2.54mm IDC Cable Assembly.
4409-XX-XX_X2
Blank : Red
BK : Black
No. of Contacts

0.80 / 1.00mm Pitch

UNIT : mm


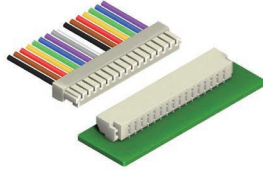
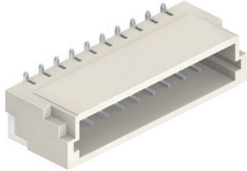
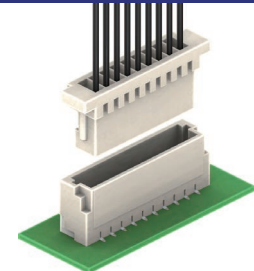
1700S-XX-SM		1700R-XX-SM	
			
RoHS Compliant		RoHS Compliant	

1700S-XX-SM
 SMD Type
 No. of Contacts
 Straight Type

1700S-XX-SM Series:
 0.80mm Wafer Single Row Straight SMD Type.
 Mating Part: 1700H-XX Series.

1700R-XX-SM
 SMD Type
 No. of Contacts
 Right Angle Type

1700R-XX-SM Series:
 0.80mm Wafer Single Row R/A SMD Type.
 Mating Part: 1700H-XX Series.

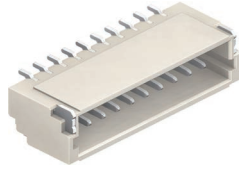
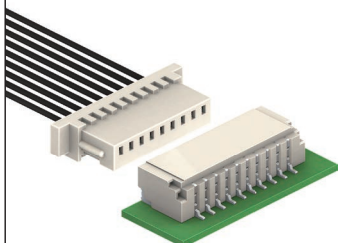
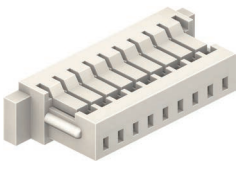
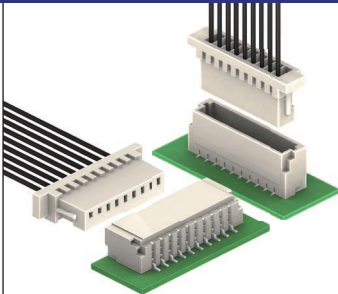
1700H-XX		1600S-XX-SM	
			
RoHS Compliant		RoHS Compliant	

1700H-XX
 No. of Contacts
 Housing

1700H-XX Series:
 0.80mm Housing Single Row Connector.
 Mating Part: 1700S(R)-XX-SM Series.

1600S-XX-SM
 SMD Type
 No. of Contacts
 Straight Type

1600S-XX-SM Series:
 1.00mm Wafer Single Row Straight SMD Type.
 Mating Part: 1600H-XX Series.

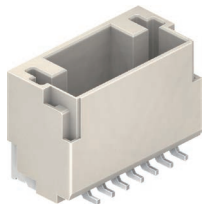

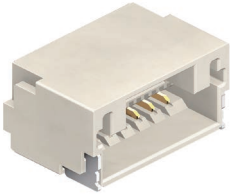
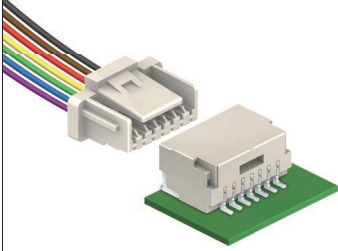
1600R-XX-SM		1600H-XX	
			
RoHS Compliant		RoHS Compliant	

1600R-XX-SM
 SMD Type
 No. of Contacts
 Right Angle Type

1600R-XX-SM Series:
 1.00mm Wafer Single Row R/A SMD Type.
 Mating Part: 1600H-XX Series.

1600H-XX
 No. of Contacts
 Housing

1600H-XX Series:
 1.00mm Housing Single Row Connector.
 Mating Part: 1600S(R)-XX-SM Series.

1600S-XXX-SM-LK		1600R-XXX-SM-LK	
			
RoHS Compliant		RoHS Compliant	

1600S-XXX-SM-LK
 With Lock
 SMD Type
 No. of Contacts
 Straight Type

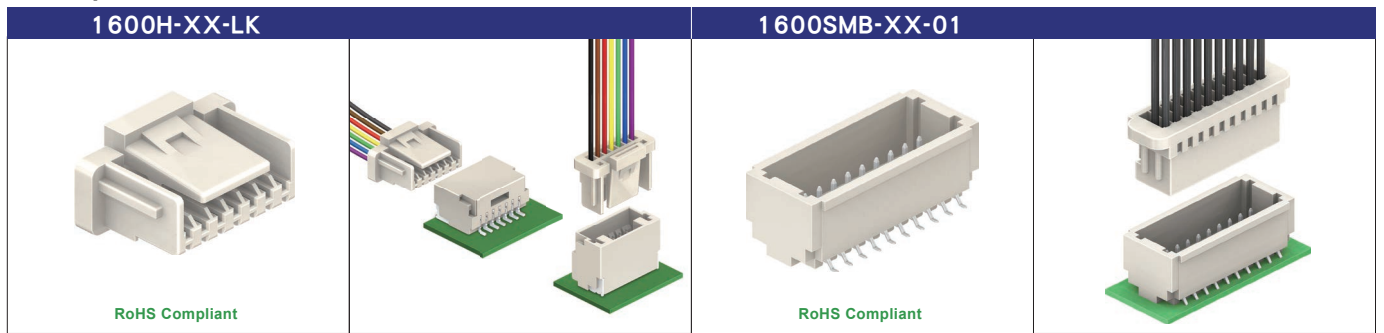
1600S-XXX-SM-LK Series:
 1.00mm Wafer Single Row Straight SMD With Lock Type Connector.
 Mating Part: 1600H-XX-LK Series.

1600R-XXX-SM-LK
 With Lock
 SMD Type
 No. of Contacts
 Right Angle Type

1600R-XXX-SM-LK Series:
 1.00mm Wafer Single Row R/A With Lock Type Connector.
 Mating Part: 1600H-XX-LK Series.

1.00 / 1.20mm Pitch

UNIT : mm

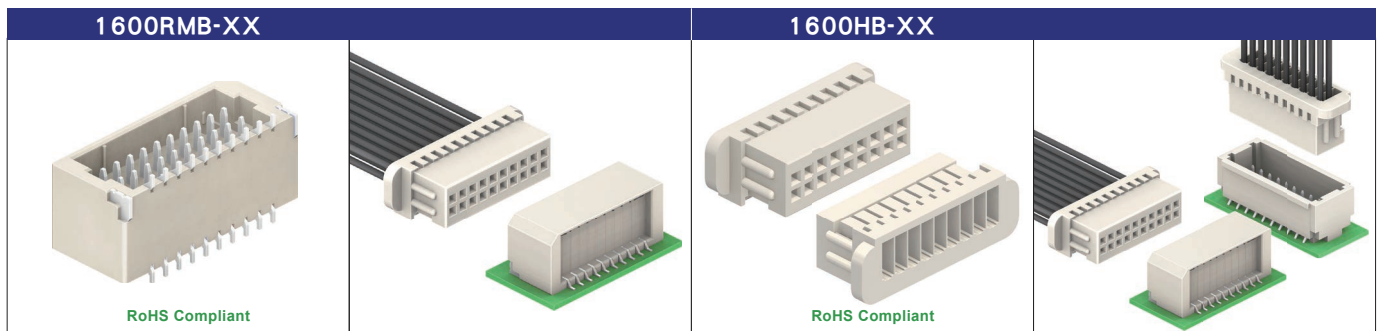


1600H-XX-LK
 With Lock
 No. of Contacts
 Housing

1600H-XX-LK Series:
 1.00mm Housing Single Row With
 Lock Type Connector.
 Mating Part:
 1600S(R)-XX-SM-LK Series.

1600SMB-XX-01
 Blank: With Peg
 01: Without Peg
 No. of Contacts
 Straight SMD Type

1600SMB-XX Series:
 1.00mm Wafer Double Rows Straight
 SMD Type.
 Mating Part:
 1600HB-XX Series.

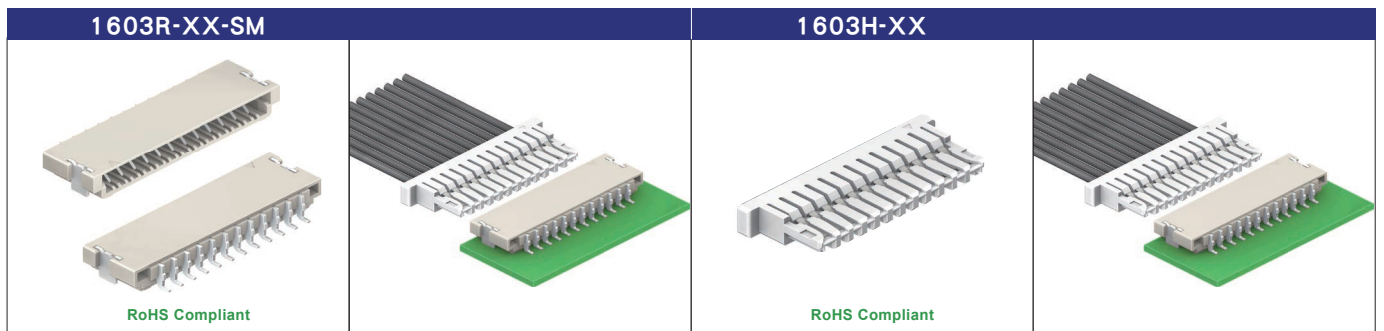


1600RMB-XX
 No. of Contacts
 Right Angle SMD Type

1600RMB-XX Series:
 1.00mm Wafer Double Rows R/A
 SMD Type.
 Mating Part:
 1600HB-XX Series.

1600HB-XX
 No. of Contacts
 Double Rows
 Housing

1600HB-XX Series:
 1.00mm Housing Double Rows
 Connector.
 Mating Part:
 1600SMB(RMB)-XX Series.

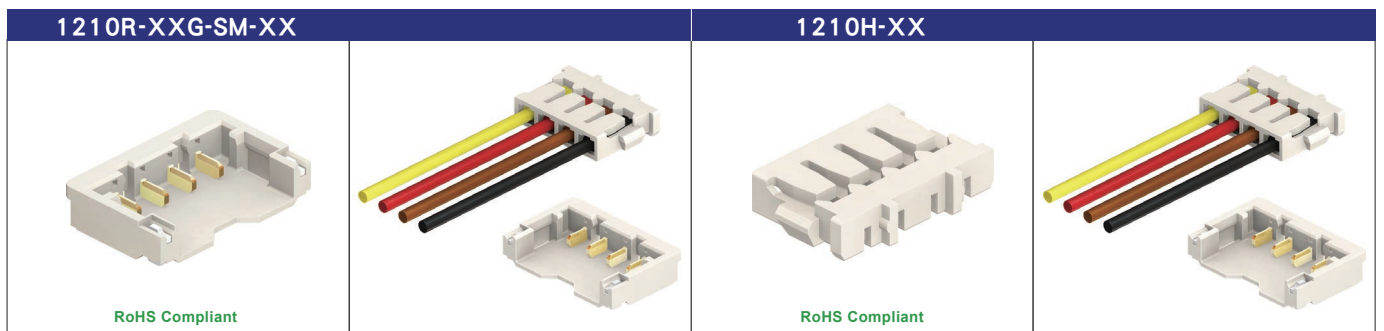


1603R-XX-SM
 SMD Type
 No. of Contacts
 Right Angle Type

1603R-XX-SM Series:
 1.00mm Wafer Single Row R/A SMD
 Type.
 Mating Part:
 1603H-XX Series.

1603H-XX
 No. of Contacts
 Housing

1603H-XX Series:
 1.00mm Housing Single Row Connector.
 Mating Part:
 1600R-XX-SM Series.



1210R-XXG-SM-XX
 IV:Ivory
 BK:Black
 SM:SMD Type
 No. of Contacts
 Right Angle Type

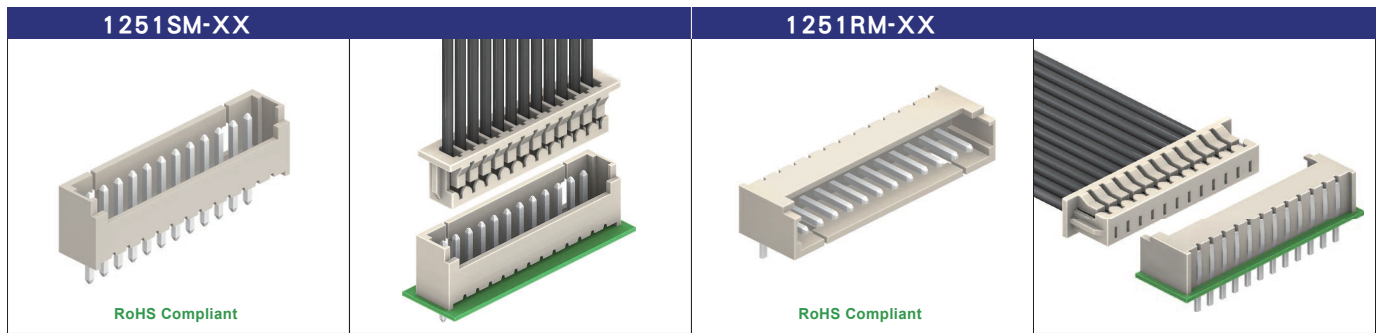
1210R-XXG-SM-XX Series:
 1.20mm Wafer Single Row R/A SMD
 Type.
 Mating Part:
 1210H-XX Series.

1210H-XX
 No. of Contacts
 Housing

1210H-XX Series:
 1.20mm Housing Single Row Connector.
 Mating Part:
 1210R-XXX-SM-XX Series.

1.25mm Pitch

UNIT : mm

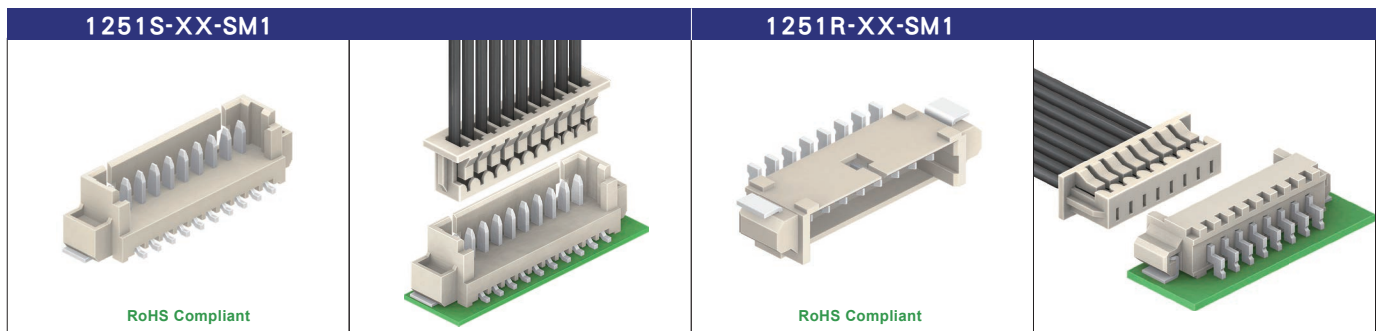


1251SM-XX
 No. of Contacts
 Straight Type

1251SM-XX Series:
 1.25mm Wafer Single Row Straight Type.
 Mating Part:
 1250HM-XX Series.

1251RM-XX
 No. of Contacts
 Right Angle Type

1251RM-XX Series:
 1.25mm Wafer Single Row R/A Type.
 Mating Part:
 1250HM-XX Series.

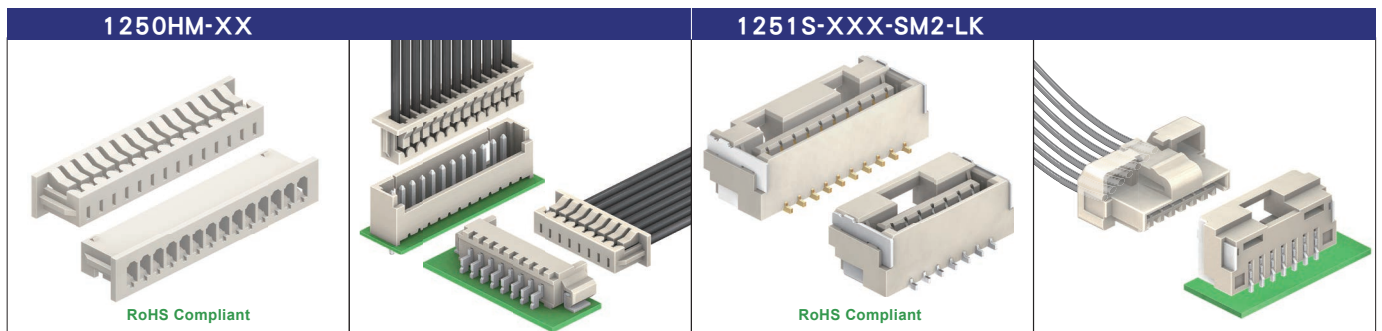


1251S-XX-SM1
 SMD Type
 No. of Contacts
 Straight Type

1251S-XX-SM1 Series:
 1.25mm Wafer Single Row SMD Type.
 Mating Part:
 1250HM-XX Series.

1251R-XX-SM1
 SMD Type
 No. of Contacts
 Right Angle Type

1251R-XX-SM1 Series:
 1.25mm Wafer Single Row R/A SMD Type.
 Mating Part:
 1250HM-XX Series.

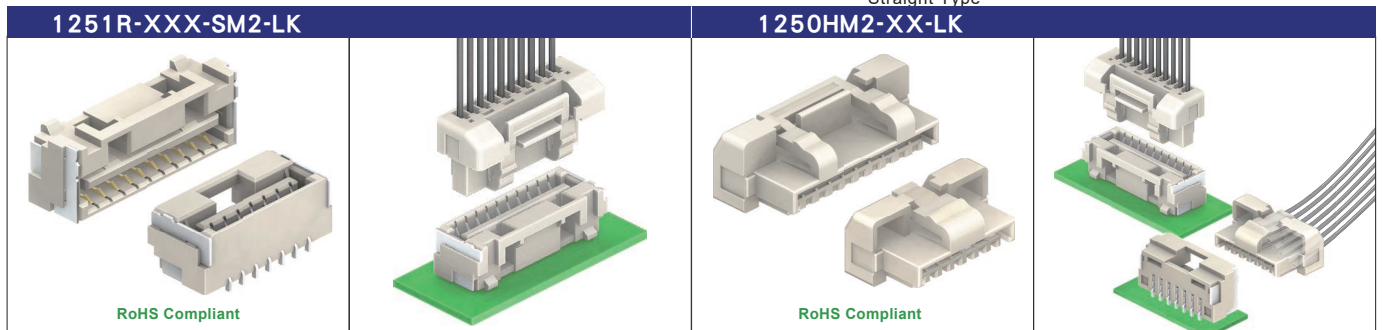


1250HM-XX
 No. of Contacts
 Single Row Housing

1250HM-XX Series:
 1.25mm Housing Single Row Connector.
 Mating Part:
 1251SM(RM)-XX, 1251S(R)-XX-SM1 Series.

1251S-XXX-SM2-LK
 With Lock
 SM2:SMD Type
 Blank:Matte Tin Plated
 G:Gold Plated
 SG>Selective Gold Plated
 No. of Contacts
 Straight Type

1251S-XXX-SM2-LK Series:
 1.25mm Wafer Single Row Straight With Lock Type.
 Mating Part:
 1250HM2-XX-LK Series.



1251R-XXX-SM2-LK
 With Lock
 SM2:SMD Type
 Blank:Matte Tin Plated
 G:Gold Plated
 SG>Selective Gold Plated
 No. of Contacts
 Right Angle Type

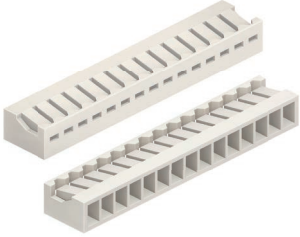
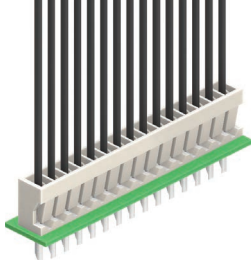
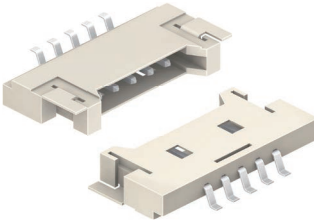
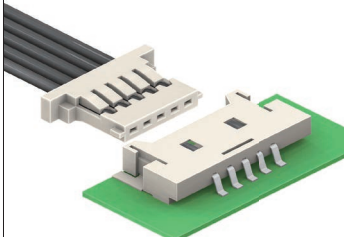
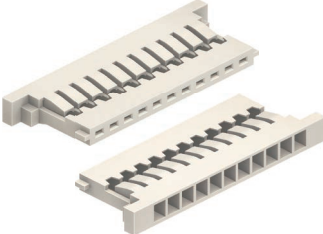
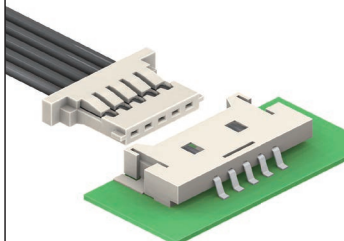
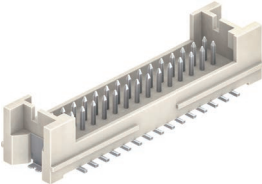
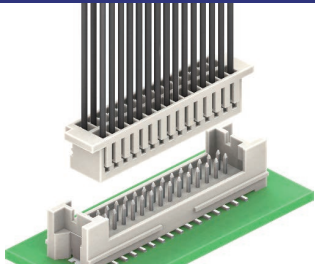
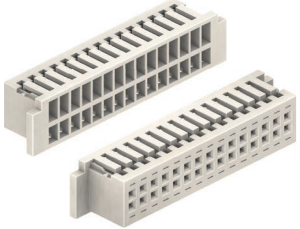
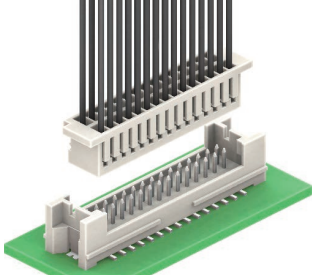
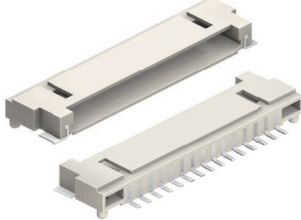
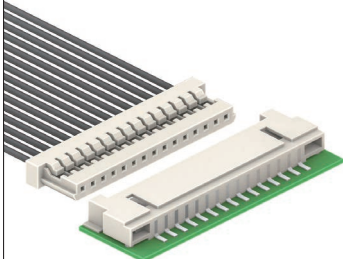
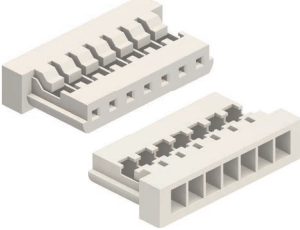
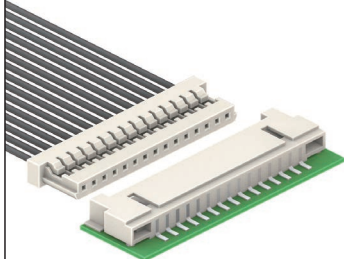
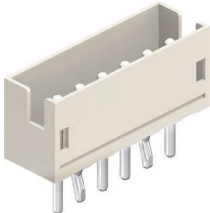
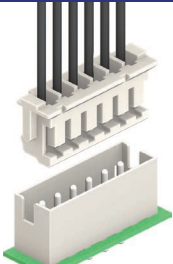
1251R-XXX-SM2-LK Series:
 1.25mm Wafer Single Row R/A With Lock Type.
 Mating Part:
 1250HM2-XX-LK Series.

1250HM2-XX-LK
 Lock
 No. of Contacts
 Housing

1250HM2-XX-LK Series:
 1.25mm Housing Single Row With Lock Connector.
 Mating Part:
 1251S(R)-XXX-SM2-LK Series.

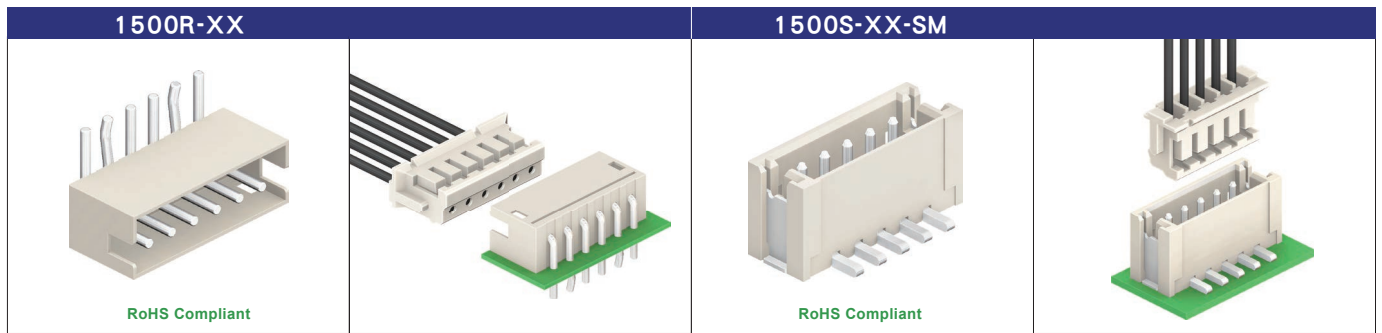
1.25 / 1.50mm Pitch

UNIT : mm

1252H-XX		1253R-XX-SM	
			
RoHS Compliant		RoHS Compliant	
1252H-XX No. of Contacts Single Row Housing	1252H-XX Series: 1.25mm Single Row Housing Board-In Type. Mating Part: PC. Board.	1253R-XX-SM SMD Type No. of Contacts Right Angle Type	1253R-XX-SM Series: 1.25mm Wafer Single Row Right Angle SMD Type. Mating Part: 1253H-XX Series.
1253H-XX		1254SMB-XX	
			
RoHS Compliant		RoHS Compliant	
1253H-XX No. of Contacts Single Row Housing	1253H-XX Series: 1.25mm Housing Single Row Connector. Mating Part: 1253R-XX-SM Series.	1254SMB-XX No. of Contacts Double Rows SMD Type	1254SMB-XX Series: 1.25mm Wafer Double Rows Straight SMD Type. Mating Part: 1254HB-XX Series.
1254HB-XX		1255R-XX-SM	
			
RoHS Compliant		RoHS Compliant	
1254HB-XX No. of Contacts Double Rows Housing	1254HB-XX Series: 1.25mm Housing Double Rows Connector. Mating Part: 1254SMB-XX Series.	1255R-XX-SM SMD Type No. of Contacts Right Angle Type	1255R-XX-SM Series: 1.25mm Wafer Single Row R/A SMD Type. Mating Part: 1255H-XX Series.
1255H-XX		1500S-XX	
			
RoHS Compliant		RoHS Compliant	
1255H-XX No. of Contacts Housing	1255H-XX Series: 1.25mm Housing Single Row Connector. Mating Part: 1255R-XX-SM Series.	1500S-XX No. of Contacts Straight Type	1500S-XX Series: 1.50mm Wafer Single Row Straight Dip Type. Mating Part: 1500H-XX Series.

1.50mm Pitch

UNIT : mm

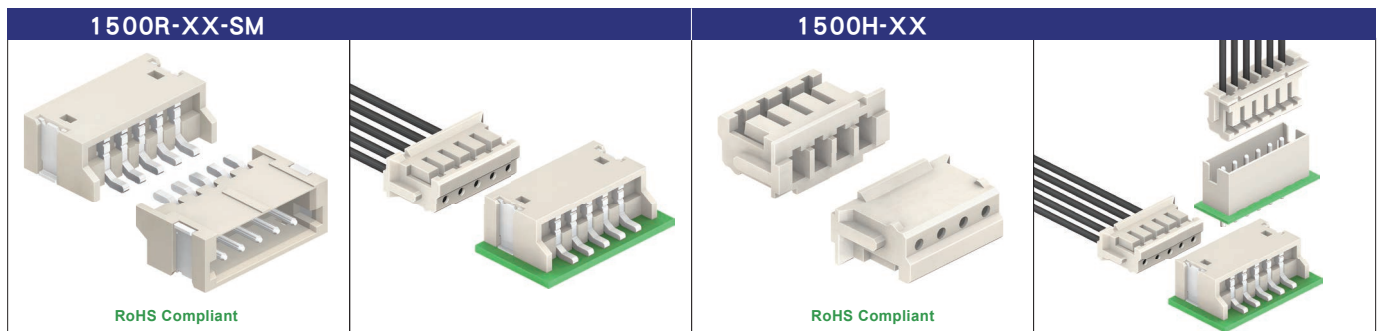


1500R-XX
 No. of Contacts
 Right Angle Type

1500R-XX Series:
 1.50mm Wafer Single Row R/A Dip Type.
 Mating Part:
 1500H-XX Series.

1500S-XX-SM
 SMD Type
 No. of Contacts
 Straight Type

1500S-XX-SM Series:
 1.50mm Wafer Single Row Straight SMD Type.
 Mating Part:
 1500H-XX Series.

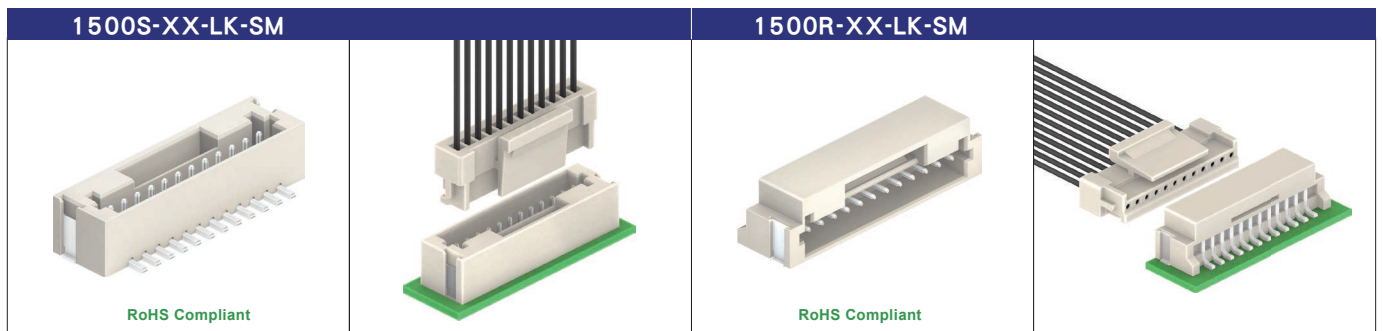


1500R-XX-SM
 SMD Type
 No. of Contacts
 Right Angle Type

1500R-XX-SM Series:
 1.50mm Wafer Single Row Right Angle SMD Type.
 Mating Part:
 1500H-XX Series.

1500H-XX
 No. of Contacts
 Single Row
 Housing

1500H-XX Series:
 1.50mm Housing Single Row Connector.
 Mating Part:
 1500S(R)-XX-(SM) Series.

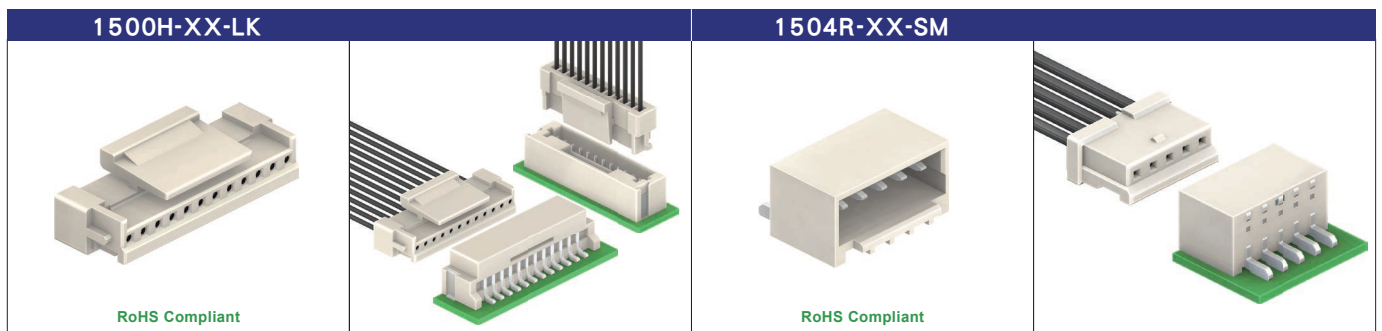


1500S-XX-LK-SM
 SMD Type
 With Lock
 No. of Contacts
 Straight Type

1500S-XX-LK-SM Series:
 1.50mm Wafer Single Row Straight With Lock Type Connector.
 Mating Part:
 1500H-XX-LK Series.

1500R-XX-LK-SM
 SMD Type
 With Lock
 No. of Contacts
 Right Angle Type

1500R-XX-LK-SM Series:
 1.50mm Wafer Single Row Right Angle With Lock Type Connector.
 Mating Part:
 1500H-XX-LK Series.



1500H-XX-LK
 With Lock
 No. of Contacts
 Single Row
 Housing

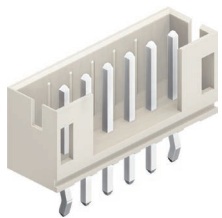
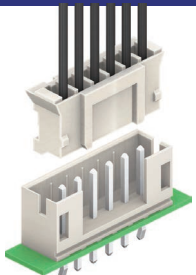
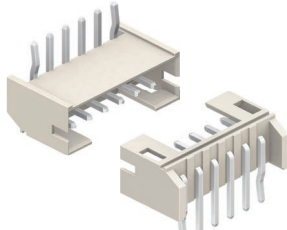
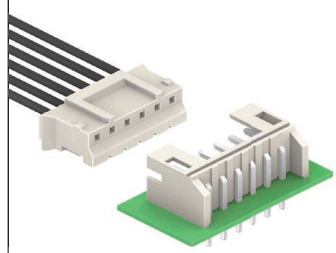
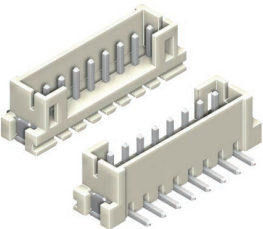
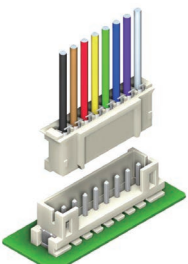
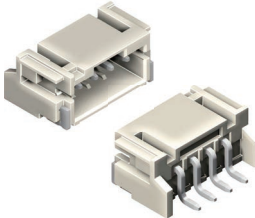
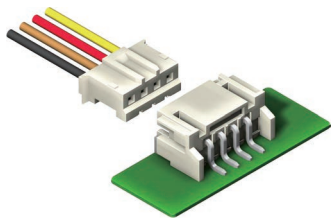
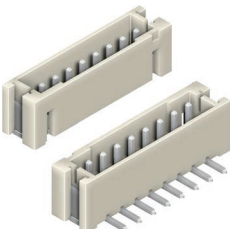

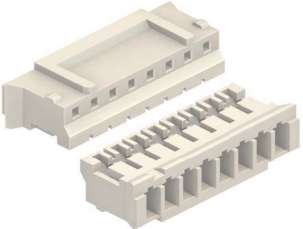
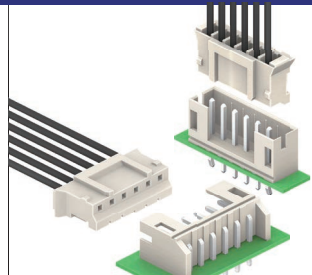
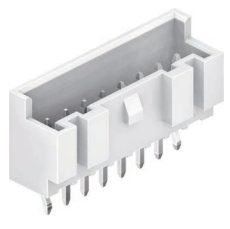
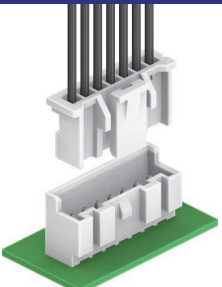
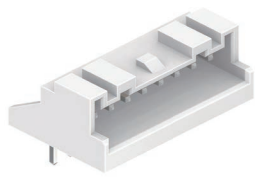
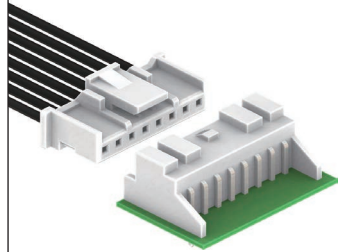
1500H-XX-LK Series:
 1.50mm Housing Single Row With Lock Type Connector.
 Mating Part:
 1500S(R)-XX-LK-SM Series.

1504R-XX-SM
 SMD Type
 No. of Contacts
 Right Angle Type

1504R-XX-SM Series:
 1.50mm Wafer R/A SMD Type
 Mating Part:
 1504H-XX

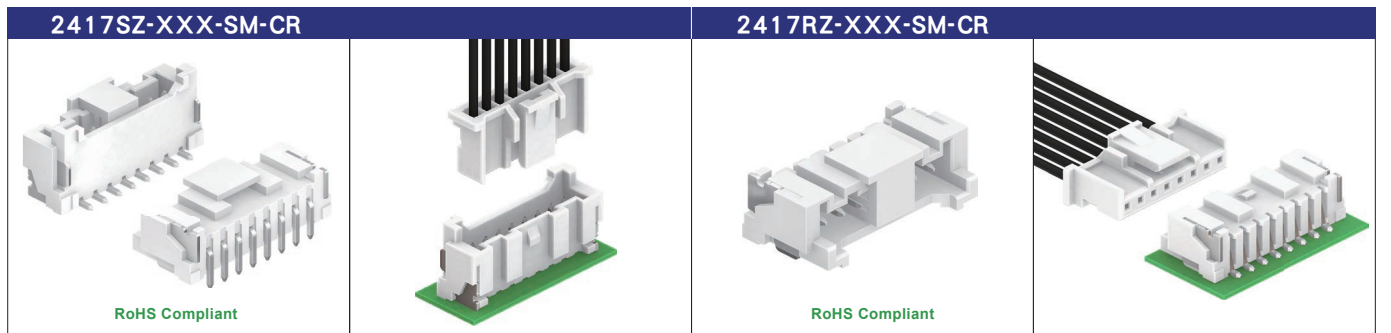
2.00mm Pitch

UNIT : mm

2417SJ-XX		2417RJ-XX	
			
RoHS Compliant		RoHS Compliant	
<p>2417SJ-XX</p> <ul style="list-style-type: none"> No. of Contacts Straight Type 	<p>2417SJ-XX Series:</p> <p>2.00mm Wafer Single Row Straight Dip Type.</p> <p>Mating Part: 2418HJ-XX Series.</p>	<p>2417RJ-XX</p> <ul style="list-style-type: none"> No. of Contacts Right Angle Type 	<p>2417RJ-XX Series:</p> <p>2.00mm Wafer Single Row Right Angle Dip Type.</p> <p>Mating Part: 2418HJ-XX Series.</p>
2417SJ-XX-SM1-02		2417RJ-XX-SM2-02	
			
RoHS Compliant		RoHS Compliant	
<p>2417SJ-XX-SM1-02</p> <ul style="list-style-type: none"> Without Post SMD Type No. of Contacts Straight Type 	<p>2417SJ-XX-SM1-02 Series:</p> <p>2.00mm Wafer Single Row Straight SMD Type.</p> <p>Mating Part: 2418HJ-XX Series.</p>	<p>2417RJ-XX-SM2-02</p> <ul style="list-style-type: none"> Without Post SMD Type No. of Contacts Right Angle Type 	<p>2417RJ-XX-SM2-02 Series:</p> <p>2.00mm Wafer Single Row Right Angle SMD Type.</p> <p>Mating Part: 2418HJ-XX Series.</p>
2417SJ-XX-SM2		2418HJ-XX	
			
RoHS Compliant		RoHS Compliant	
<p>2417SJ-XX-SM2</p> <ul style="list-style-type: none"> SMD Type No. of Contacts Straight Type 	<p>2417SJ-XX-SM2 Series:</p> <p>2.0mm Wafer Single Row Straight SMD Type.</p> <p>Mating Part: 2418HJ-XX Series.</p>	<p>2418HJ-XX</p> <ul style="list-style-type: none"> No. of Contacts Single Row Housing 	<p>2418HJ-XX Series:</p> <p>2.00mm Housing Single Row Connector.</p> <p>Mating Part: 2417SJ(RJ)-XX-(SM)(02) Series.</p>
2417SZ-XXX-XX		2417RZ-XXX-PG	
			
RoHS Compliant		RoHS Compliant	
<p>2417SZ-XXX-XX</p> <ul style="list-style-type: none"> Blank : Without Peg PG : With Peg G : Gold Plated T : Tin Plated No. of Contacts Straight Type 	<p>2417SZ-XXX-XX Series:</p> <p>2.00mm Wafer Single Row Straight Type.</p> <p>Mating Part: 2418HZ-XX Series.</p>	<p>2417RZ-XXX-PG</p> <ul style="list-style-type: none"> PG : With Peg G : Gold Plated T : Tin Plated No. of Contacts Right Angle Type 	<p>2417RZ-XXX-PG Series:</p> <p>2.00mm Wafer Single Row R/A With Peg Type.</p> <p>Mating Part: 2418HZ-XX Series.</p>

2.00mm Pitch

UNIT : mm



2417SZ-XXX-SM-CR

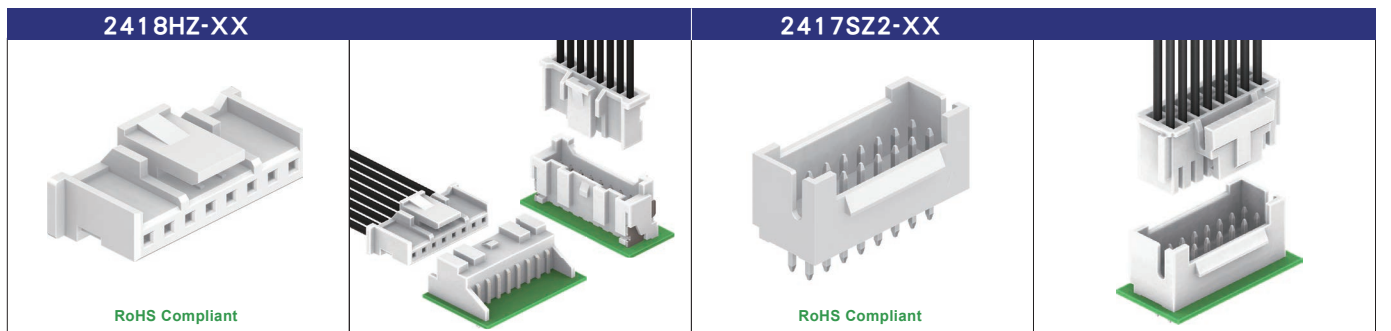
CR : Cap+Tape&Reel
SMD Type
G : Gold Plated
T : Tin Plated
No. of Contacts
Straight Type

2417SZ-XXX-SM-CR Series:
2.00mm Wafer Single Row Straight
SMD Type.
Mating Part:
2418HZ-XX Series.

2417RZ-XXX-SM-CR

CR : Cap+Tape&Reel
SMD Type
G : Gold Plated
T : Tin Plated
No. of Contacts
Right Angle Type

2417RZ-XXX-SM-CR Series:
2.00mm Wafer Single Row R/A SMD
Type.
Mating Part:
2418HZ-XX Series.



2418HZ-XX

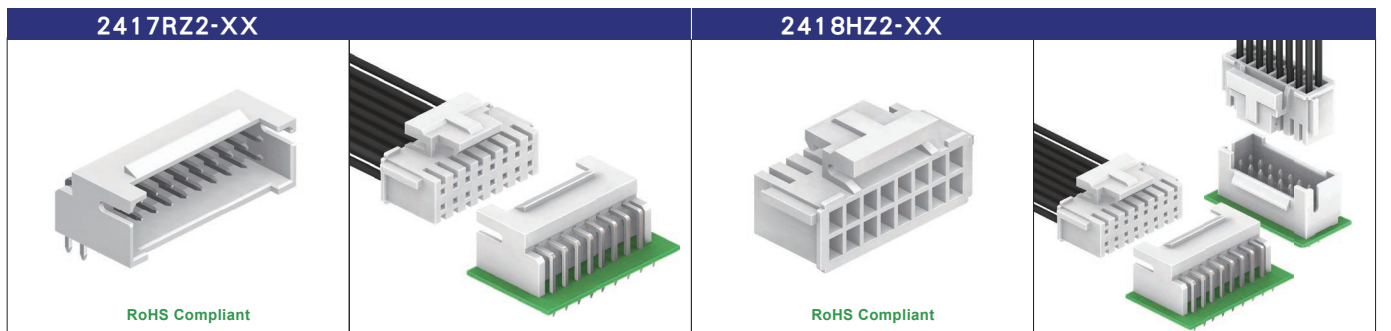
No. of Contacts
Housing

2418HZ-XX Series:
2.00mm Housing Single Row Connector.
Mating Part:
2417SZ(RZ)-XXT-XX,
2417SZ(RZ)-XXT-SM-CR Series.

2417SZ2-XX

No. of Contacts
Straight Type

2417SZ2-XX Series:
2.00mm Wafer Double Rows Straight
Type.
Mating Part:
2418HZ2-XX Series.



2417RZ2-XX

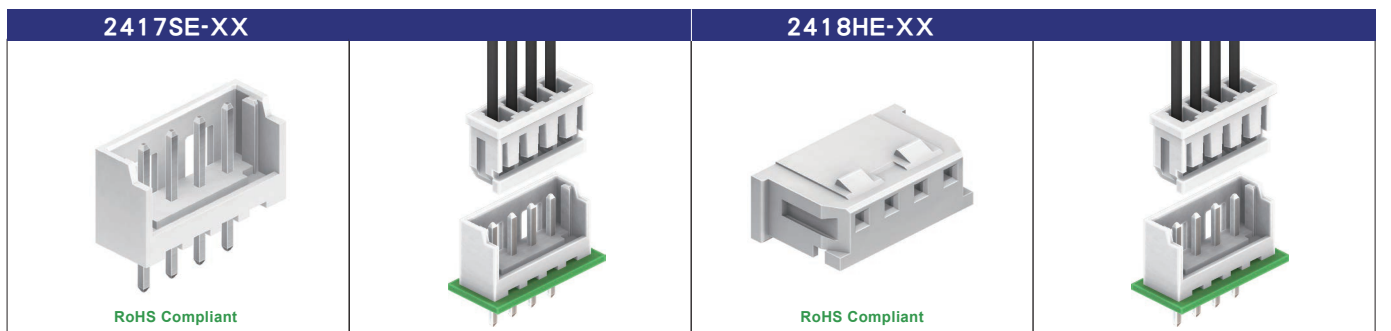
No. of Contacts
Right Angle Type

2417RZ2-XX Series:
2.00mm Wafer Double Rows Right
Angle Type.
Mating Part:
2418HZ2-XX Series.

2418HZ2-XX

No. of Contacts
Housing

2418HZ2-XX Series:
2.00mm Housing Double Rows Connector
Mating Part:
2417SZ2(RZ2)-XX Series.



2417SE-XX

No. of Contacts
Straight Type

2417SE-XX Series:
2.00mm Wafer Single Row Straight
Type.
Mating Part:
2418HE-XX Series.

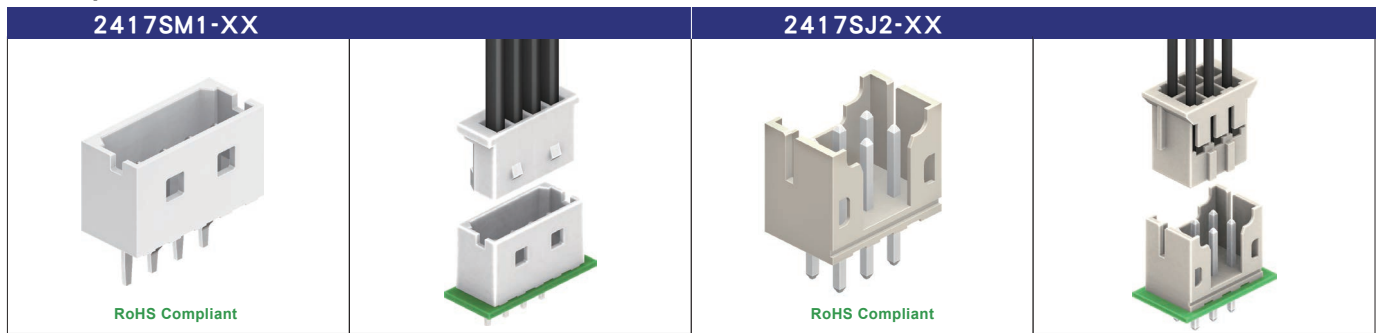
2418HE-XX

No. of Contacts
Housing

2418HE-XX Series:
2.00mm Housing Single Row Connector.
Mating Part:
2417SE-XX Series.

2.00 / 2.20 mm Pitch

UNIT : mm

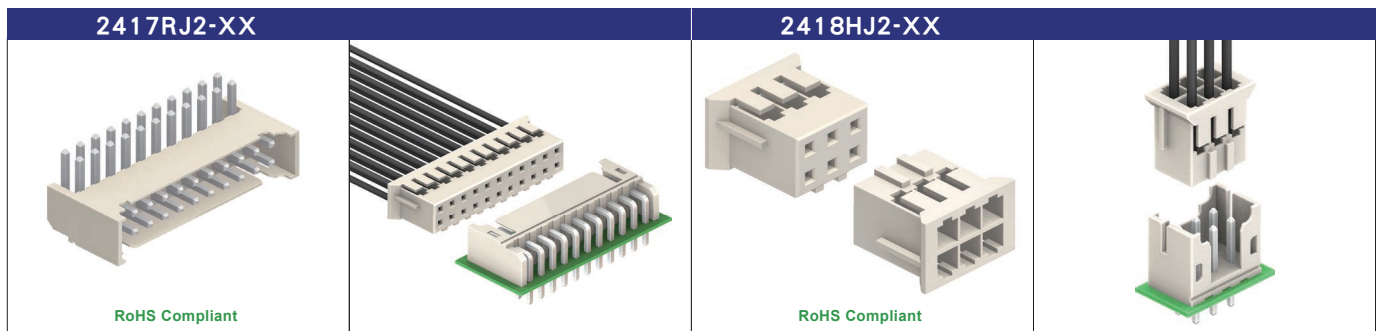


2417SM1-XX
 No. of Contacts
 Straight Type

2417SM1-XX Series:
 2.00mm Wafer Single Row Straight Type.
 Mating Part:
 2418HM1-XX Series.

2417SJ2-XX
 No. of Contacts
 Double Rows
 Straight Type

2417SJ2-XX Series:
 2.00mm Wafer Double Rows Straight Dip Type.
 Mating Part:
 2418HJ2-XX Series.

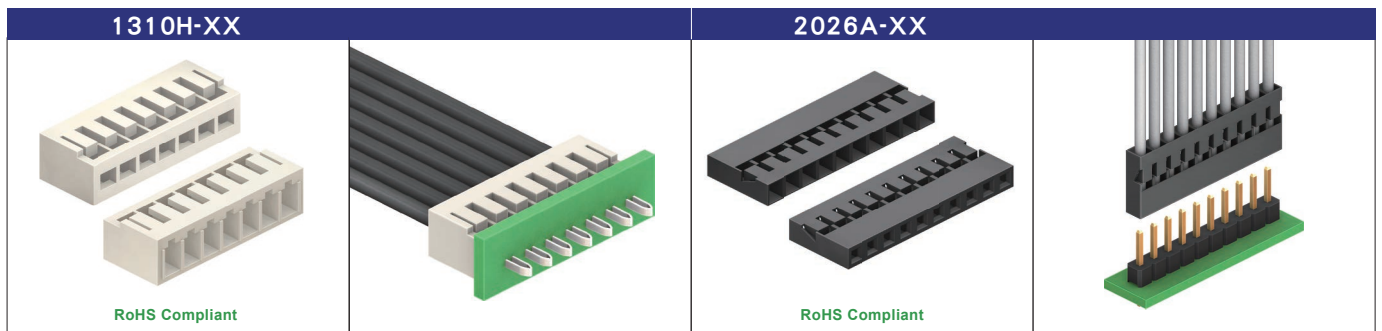


2417RJ2-XX
 No. of Contacts
 Double Rows
 Right Angle Type

2417RJ2-XX Series:
 2.00mm Wafer Double Rows Right Angle Dip Type.
 Mating Part:
 2418HJ2-XX Series.

2418HJ2-XX
 No. of Contacts
 Double Rows
 Housing

2418HJ2-XX Series:
 2.00mm Housing Double Rows Connector.
 Mating Part:
 2417SJ2(RJ2)-XX Series.

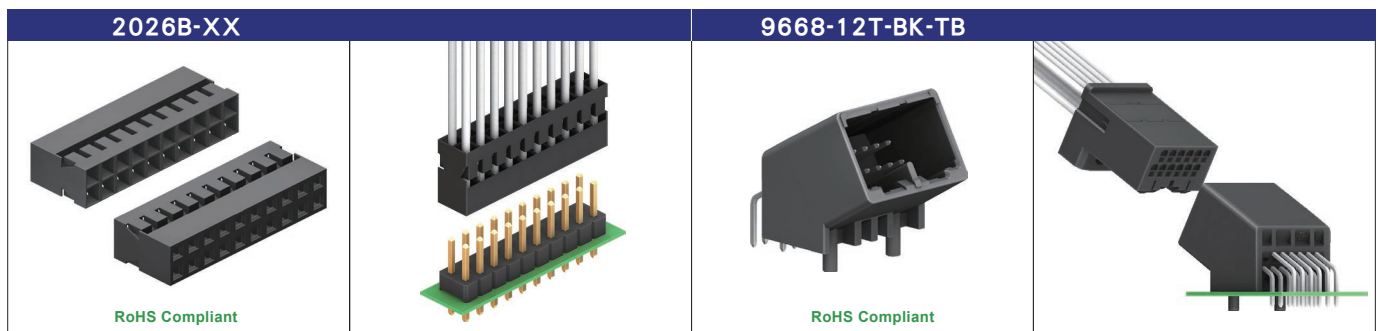


1310H-XX
 No. of Contacts
 H: Straight Type
 HR: Right Angle Type

1310H(HR)-XX Series:
 2.00mm Housing Single Row Straight & R/A Board-In Type Connector.
 Mating Part:
 PC. Board.

2026A-XX
 No. of Contacts
 Single Row Housing

2026A-XX Series:
 2.00mm Housing Single Row Connector.
 Mating Part:
 2210S(R)-XX Series.



2026B-XX
 No. of Contacts
 Double Rows Housing

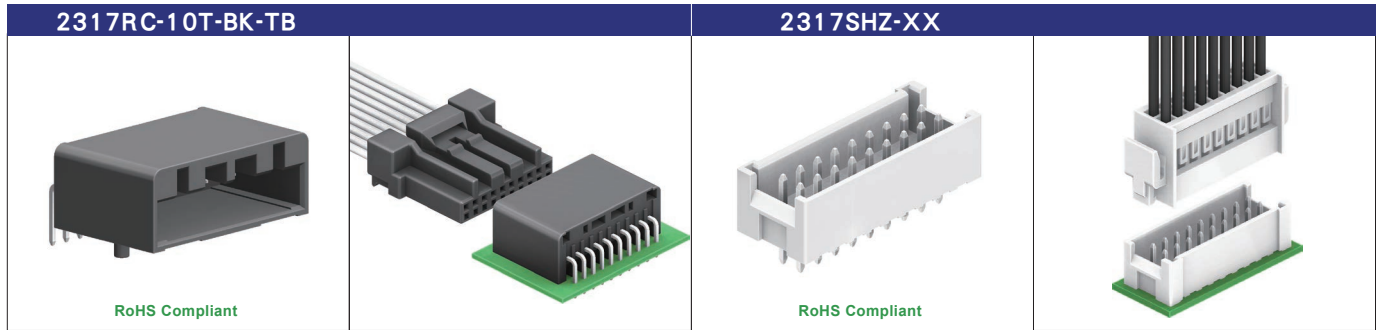
2026B-XX Series:
 2.00mm Housing Double Rows Connector.
 Mating Part:
 2208S-XX, 2208R-XX Series.

9668-12T-BK-TB
 Tube
 Black
 No. of Contacts

9668-12T-BK-TB Series:
 2.20mm Pin Header Double Rows 30 Degree Type.
 Mating Part:
 9668H-12 Series.

2.50mm Pitch

UNIT : mm

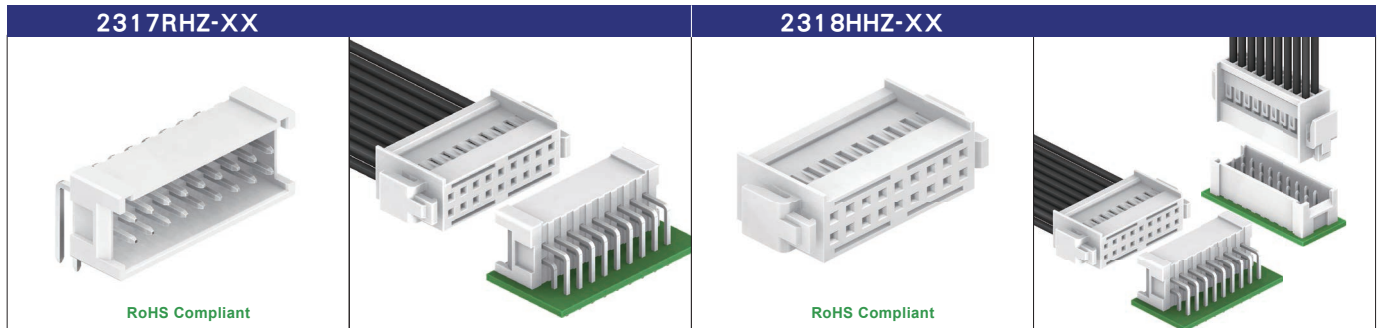


2317RC-10T-BK-TB
 Tube
 Black
 No. of Contacts
 Right Angle Type

2317RC-10T-BK-TB Series:
 2.50mm Wafer Single Row Right Angle Type.
 Mating Part:
 2318HC-10 Series.

2317SHZ-XX
 No. of Contacts
 Straight Type

2317SHZ-XX Series:
 2.50mm Wafer Double Rows Straight Type.
 Mating Part:
 2318HHZ-XX Series.

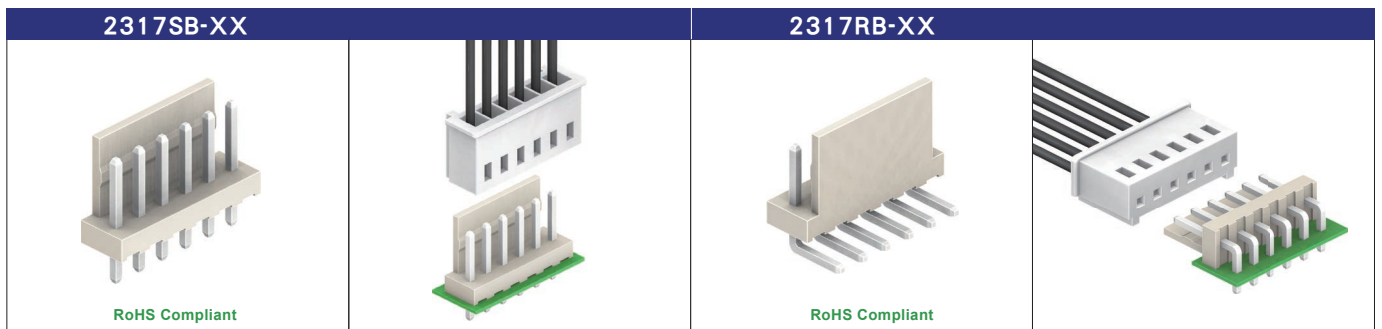


2317RHZ-XX
 No. of Contacts
 Right Angle Type

2317RHZ-XX Series:
 2.50mm Wafer Double Rows Right Angle Type.
 Mating Part:
 2318HHZ-XX Series.

2318HHZ-XX
 No. of Contacts
 Housing

2318HHZ-XX Series:
 2.50mm Housing Double Rows Connector.
 Mating Part:
 2317SHZ-XX, 2317RHZ-XX Series.

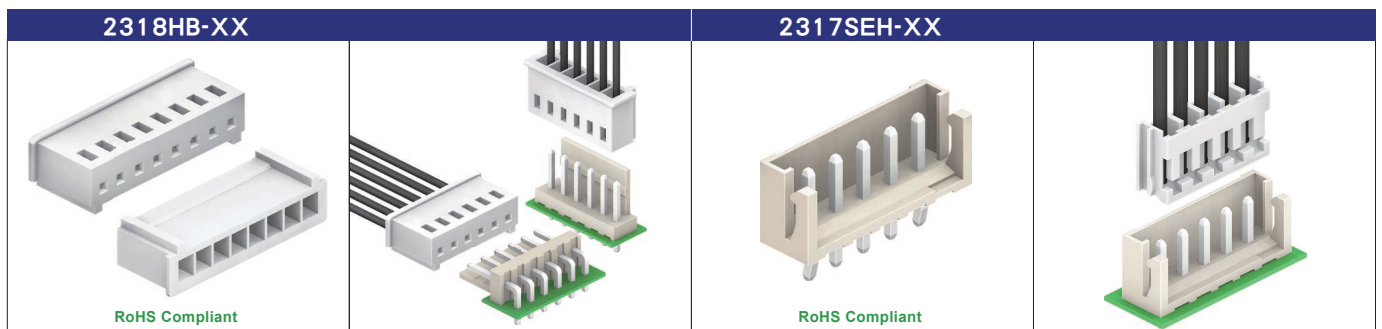


2317SB-XX
 No. of Contacts
 Straight Type

2317SB-XX Series:
 2.50mm Wafer Single Row Straight Dip Type.
 Mating Part:
 2318HB-XX Series.

2317RB-XX
 No. of Contacts
 Right Angle Type

2317RB-XX Series:
 2.50mm Wafer Single Row Right Angle Dip Type.
 Mating Part:
 2318HB-XX Series.



2318HB-XX
 No. of Contacts
 Housing

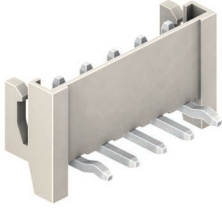
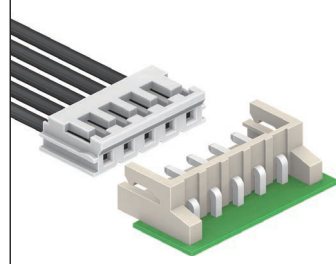
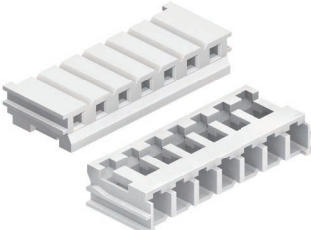
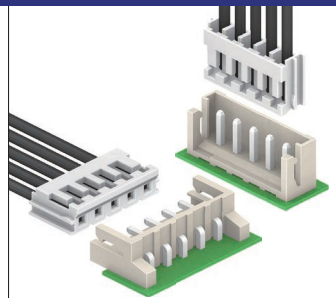
2318HB-XX Series:
 2.50mm Housing Single Row Connector.
 Mating Part:
 2317SB(RB)-XX Series.

2317SEH-XX
 No. of Contacts
 Straight Type

2317SEH-XX Series:
 2.50mm Wafer Single Row Straight Dip Type.
 Mating Part:
 2318HEH-XX Series.

2.50mm Pitch

UNIT : mm

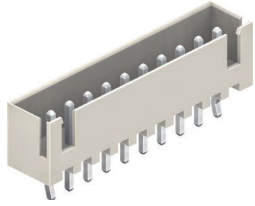
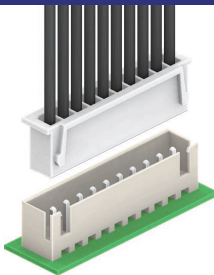
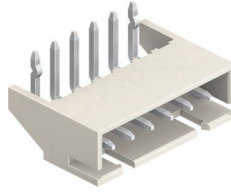
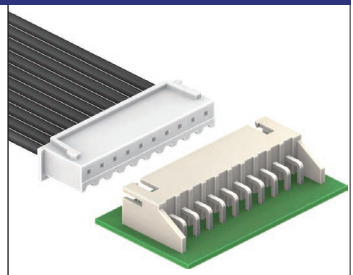
2317REH-XX		2318HEH-XX	
			
RoHS Compliant		RoHS Compliant	

2317REH-XX
 No. of Contacts
 Right Angle Type

2317REH-XX Series:
 2.50mm Wafer Single Row
 Right Angle Dip Type.
 Mating Part:
 2318HEH-XX Series.

2318HEH-XX
 No. of Contacts
 Housing

2318HEH-XX Series:
 2.50mm Housing Single Row
 Connector.
 Mating Part:
 2317SEH(REH)-XX Series.

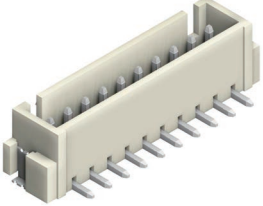
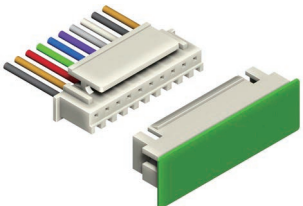
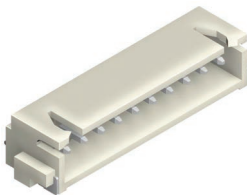
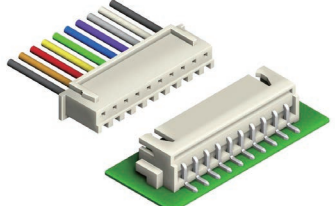
2317SJ-XX		2317RJ-XX	
			
RoHS Compliant		RoHS Compliant	

2317SJ-XX
 No. of Contacts
 Straight Type

2317SJ-XX Series:
 2.50mm Wafer Single Row Straight
 Dip Type.
 Mating Part:
 2318HJ-XX Series.

2317RJ-XX
 No. of Contacts
 Right Angle Type

2317RJ-XX Series:
 2.50mm Wafer Single Row Right Angle
 Dip Type.
 Mating Part:
 2318HJ-XX Series.

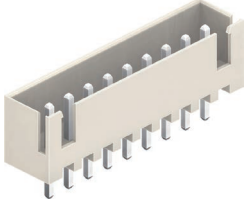
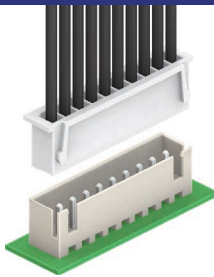
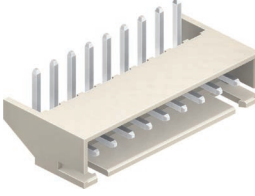
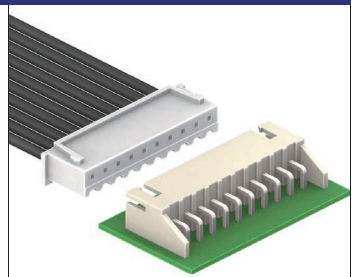
2317SJ-XX-SMA		2317RJ-XX-SMA	
			
RoHS Compliant		RoHS Compliant	

2317SJ-XX-SMA
 SMD Type
 No. of Contacts
 Straight Type

2317SJ-XX-SM Series:
 2.50mm Wafer Single Row Straight
 SMD Type.
 Mating Part:
 2318HJ-XX Series.

2317RJ-XX-SMA
 SMD Type
 No. of Contacts
 Right Angle Type

2317SJ-XX-SM Series:
 2.50mm Wafer Single Row Right Angle
 SMD Type.
 Mating Part:
 2318HJ-XX Series.

2317SJ-XX-K0		2317RJ-XX-K0	
			
RoHS Compliant		RoHS Compliant	

2317SJ-XX-K0
 W/O Kink
 No. of Contacts
 Straight Type

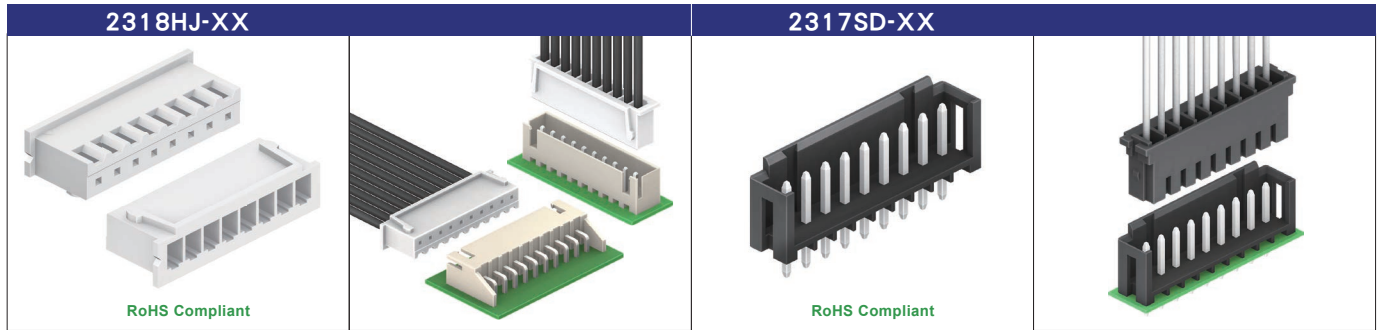
2317SJ-XX-K0 Series:
 2.50mm Wafer Single Row Straight
 Dip W/O Kink Type.
 Mating Part:
 2318HJ-XX Series.

2317RJ-XX-K0
 W/O Kink
 No. of Contacts
 Right Angle Type

2317RJ-XX-K0 Series:
 2.50mm Wafer Single Row Right Angle
 Dip W/O Kink Type.
 Mating Part:
 2318HJ-XX Series.

2.50mm Pitch

UNIT : mm

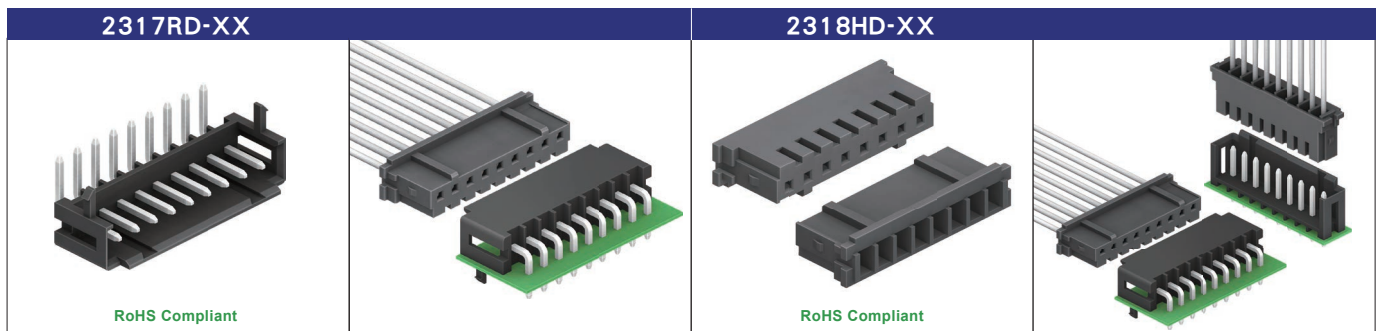


2318HJ-XX
 No. of Contacts
 Housing

2318HJ-XX Series:
 2.50mm Housing Single Row
 Connector.
 Mating Part:
 2317SJ(RJ)-XX Series.

2317SD-XX
 No. of Contacts
 Straight Type

2317SD-XX Series:
 2.50mm Wafer Single Row Straight
 Dip Type.
 Mating Part:
 2318HD-XX Series.

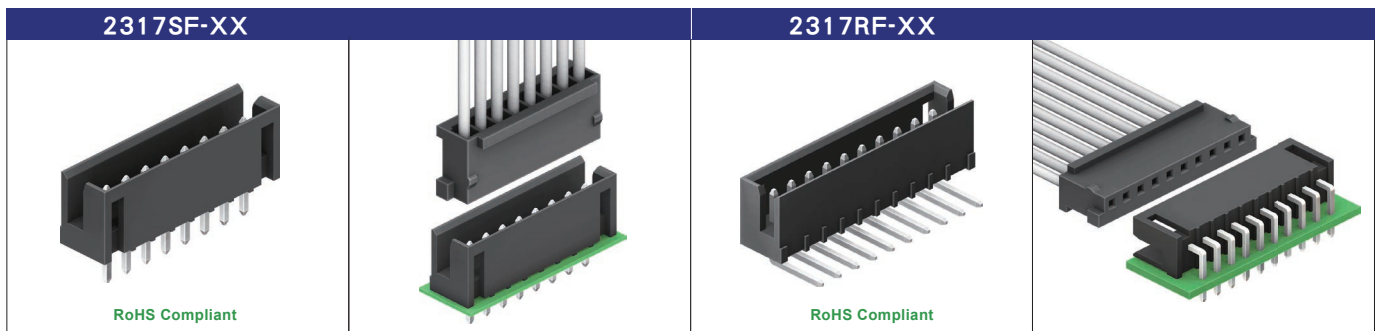


2317RD-XX
 No. of Contacts
 Right Angle Type

2317RD-XX Series:
 2.50mm Wafer Single Row Right
 Angle Dip Type.
 Mating Part:
 2318HD-XX Series.

2318HD-XX
 No. of Contacts
 Housing

2318HD-XX Series:
 2.50mm Housing Single Row
 Connector.
 Mating Part:
 2317SD(RD)-XX Series.

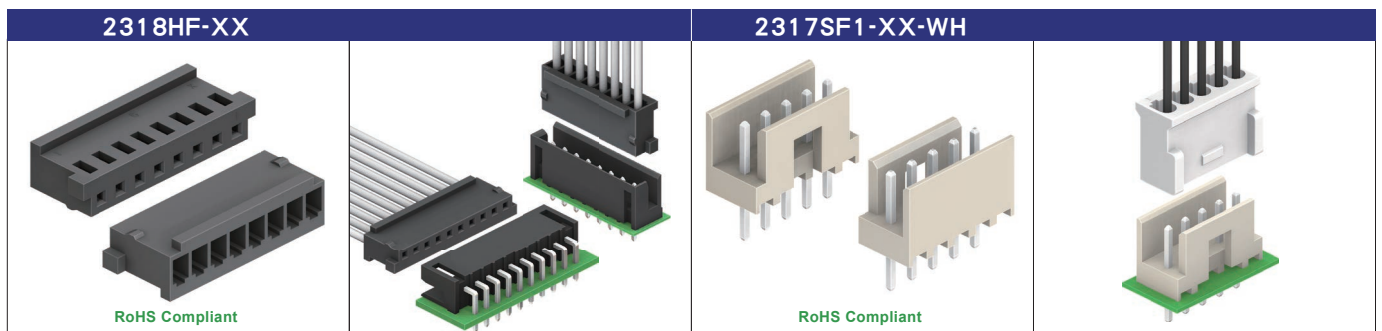


2317SF-XX
 No. of Contacts
 Straight Type

2317SF-XX Series:
 2.50mm Wafer Single Row Straight
 Dip Type.
 Mating Part:
 2318HF-XX Series.

2317RF-XX
 No. of Contacts
 Right Angle Type

2317RF-XX Series:
 2.50mm Wafer Single Row Right Angle
 Dip Type.
 Mating Part:
 2318HF-XX Series.



2318HF-XX
 No. of Contacts
 Housing

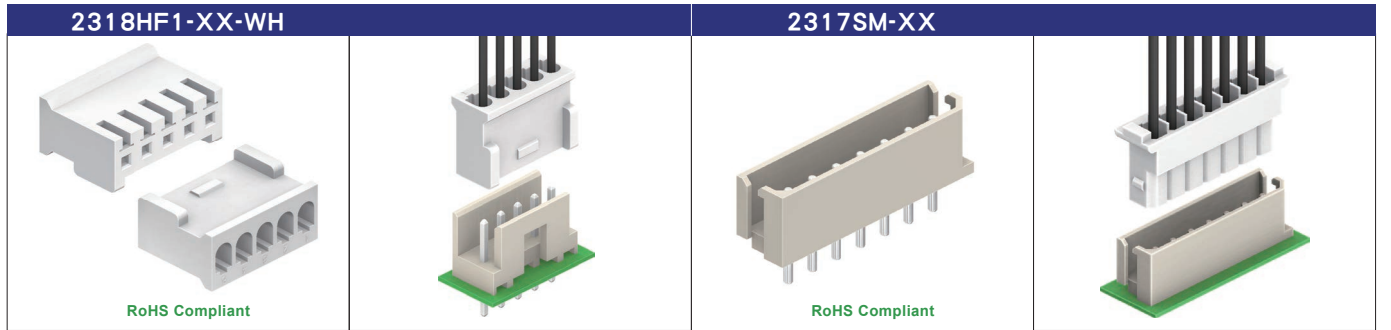
2318HF-XX Series:
 2.50mm Housing Single Row
 Connector.
 Mating Part:
 2317SF(RF)-XX Series.

2317SF1-XX-WH
 White
 No. of Contacts
 Straight Type

2317SF1-XX-WH Series:
 2.50mm Wafer Single Row Straight
 Dip Type.
 Mating Part:
 2318HF1-XX-WH Series.

2.50mm Pitch

UNIT : mm

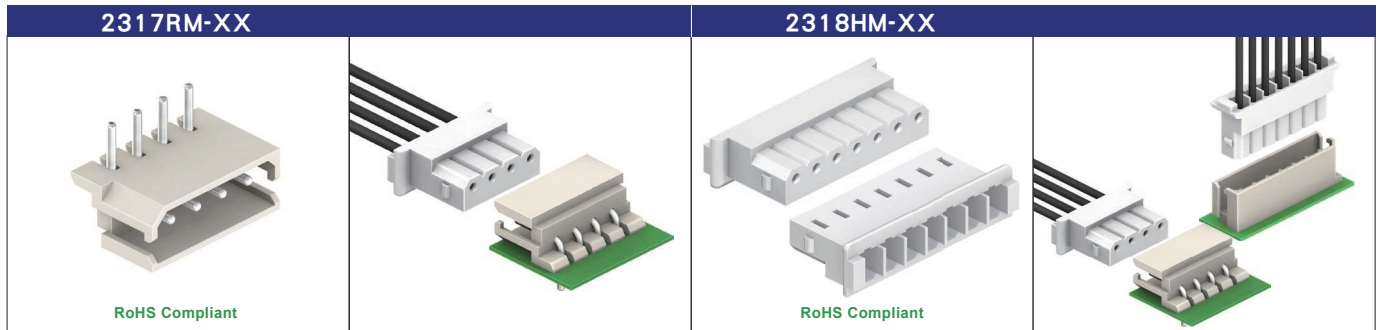


2318HF1-XX-WH
 White
 No. of Contacts
 Housing

2318HF1-XX-WH Series:
 2.50mm Housing Single Row
 Connector.
 Mating Part:
 2317SF1-XX-WH Series.

2317SM-XX
 No. of Contacts
 Straight Type

2317SM-XX Series:
 2.50mm Wafer Single Row Straight
 Dip Type.
 Mating Part:
 2318HM-XX Series.

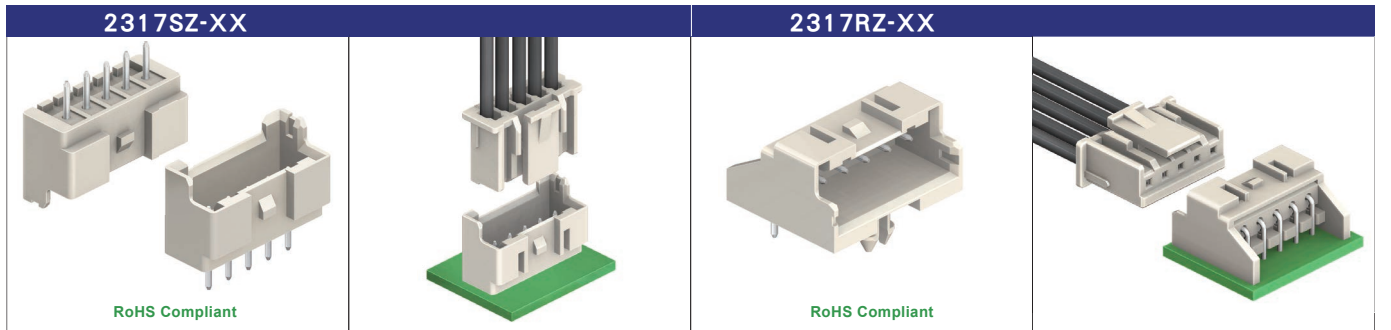


2317RM-XX
 No. of Contacts
 Right Angle Type

2317RM-XX Series:
 2.50mm Wafer Single Row Right
 Angle Dip Type.
 Mating Part:
 2318HM-XX Series.

2318HM-XX
 No. of Contacts
 Housing

2318HM-XX Series:
 2.50mm Housing Single Row Connector.
 Mating Part:
 2317SM(RM)-XX Series.

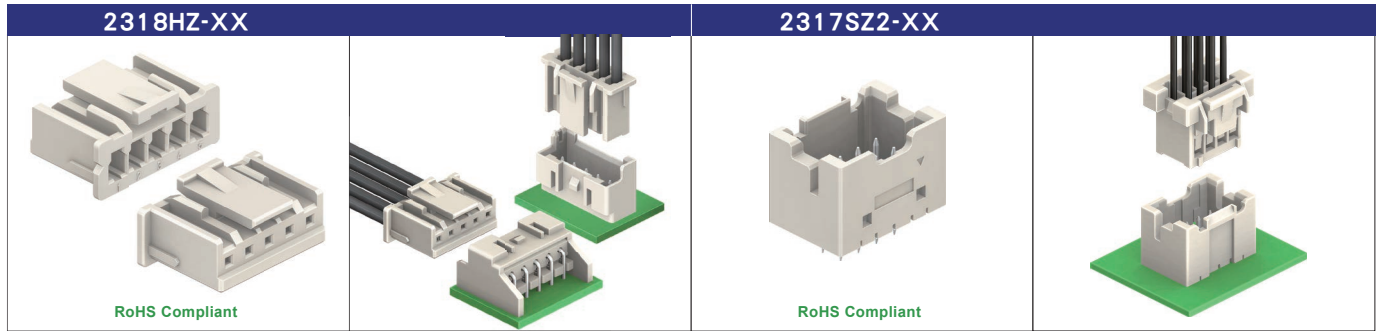


2317SZ-XX
 No. of Contacts
 Straight Type

2317SZ-XX Series:
 2.50mm Wafer Single Row Straight
 Dip Type.
 Mating Part:
 2318HZ-XX Series.

2317RZ-XX
 No. of Contacts
 Right Angle Type

2317RZ-XX Series:
 2.50mm Wafer Single Row Right Angle
 Dip Type.
 Mating Part:
 2318HZ-XX Series.



2318HZ-XX
 No. of Contacts
 Housing

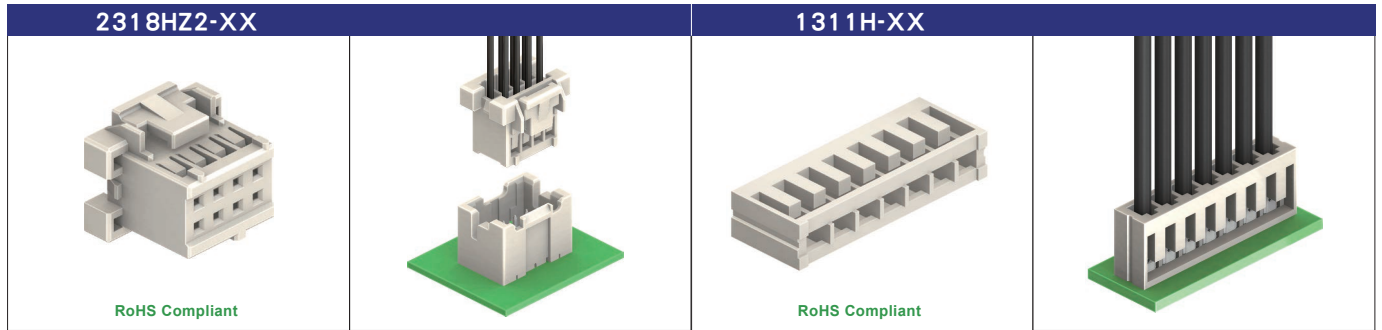
2318HZ-XX Series:
 2.50mm Housing Single Row
 Connector.
 Mating Part:
 2317SZ(RZ)-XX Series.

2317SZ2-XX
 No. of Contacts
 Straight

2317SZ2-XX Series:
 2.50mm Wafer Double Rows
 Straight Dip Type.
 Mating Part:
 2318HZ2-XX Series

2.50mm Pitch

UNIT : mm

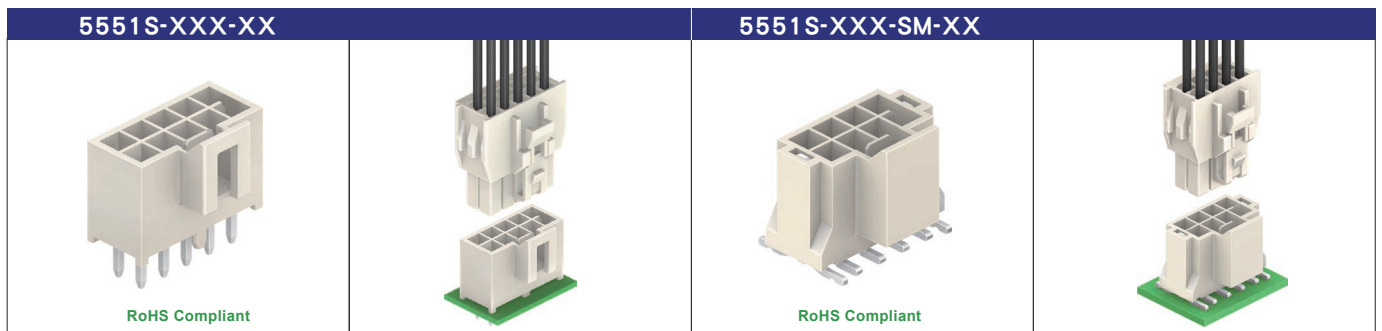


2318HZ2-XX
 No. of Contacts
 Housing

2318HZ2-XX Series:
 2.50mm Housing Double Rows
 Connector.
 Mating Part:
 2317SZ2-XX Series

1311H-XX
 No. of Contacts
 H: Straight Type
 HR: Right Angle Type

1311H(HR)-XX Series:
 2.50mm Housing Single Row Straight
 & R/A Board-In Type Connector.
 Mating Part:
 PC. Board

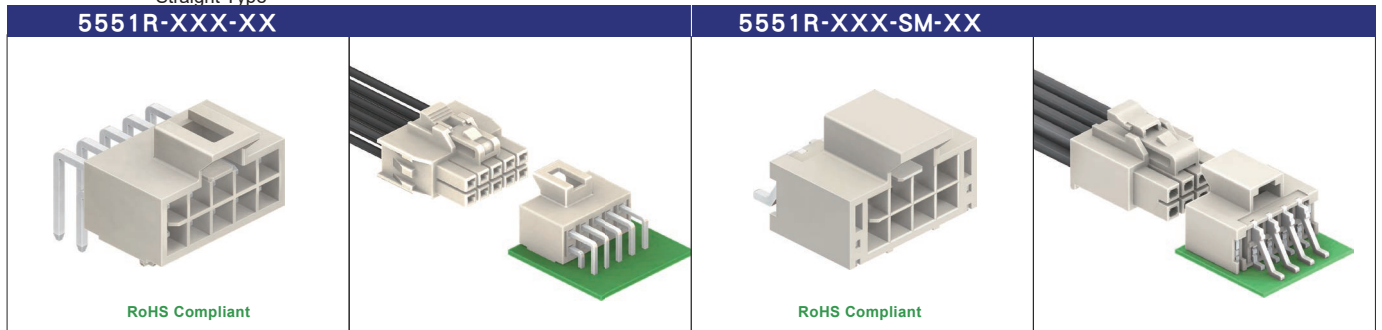


5551S-XXX-XX
 WH:White, BK:Black
 G:Gold Plated
 T: Tin Plated
 MT:Matte Tin Plated
 No. of Contacts
 Straight Type

5551S-XXX-XX Series:
 2.50mm Wafer Double Rows Straight
 Dip Type.
 Mating Part:
 5550-XX-XX Series.

5551S-XXX-SM-XX
 WH:White, BK:Black
 SM:SMD Type
 G:Gold Plated, T: Tin Plated
 MT:Matte Tin Plated
 No. of Contacts
 Straight Type

5551S-XXX-SM-XX Series:
 2.50mm Wafer Double Rows
 Straight SMD Type.
 Mating Part:
 5551A-XX-XX Series.

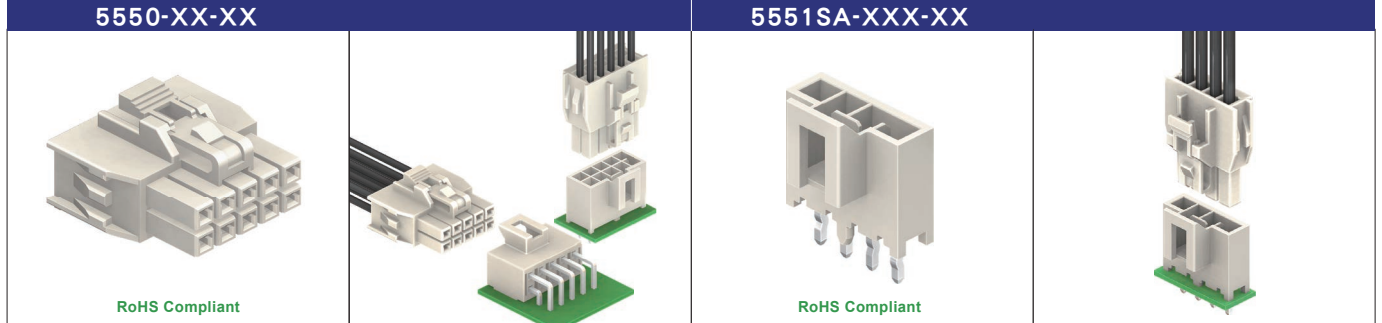


5551R-XXX-XX
 WH:White, BK:Black
 G:Gold Plated
 T: Tin Plated
 MT:Matte Tin Plated
 No. of Contacts
 Right Angle Type

5551R-XXX-XX Series:
 2.50mm Wafer Double Rows Right
 Angle Dip Type.
 Mating Part:
 5550-XX-XX Series

5551R-XXX-SM-XX
 WH:White, BK:Black
 SM:SMD Type
 G:Gold Plated, T: Tin Plated
 MT:Matte Tin Plated
 No. of Contacts
 Right Angle Type

5551R-XXX-SM-XX Series:
 2.50mm Wafer Double Rows
 Right Angle SMD Type.
 Mating Part:
 5550-XX-XX Series.



5550-XX-XX
 WH:White
 BK:Black
 No. of Contacts

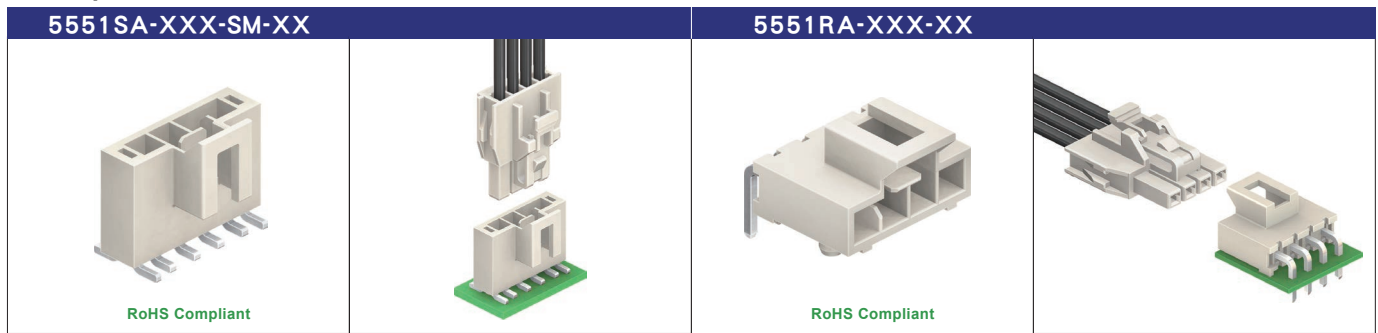
5550-XX-XX Series:
 2.50mm Housing Double Rows
 Connector.
 Mating Part:
 5551S(R)-XXX Series.

5551SA-XXX-XX
 WH:White, BK:Black
 G:Gold Plated, T: Tin Plated
 MT:Matte Tin Plated
 No. of Contacts
 Single Row Straight Type

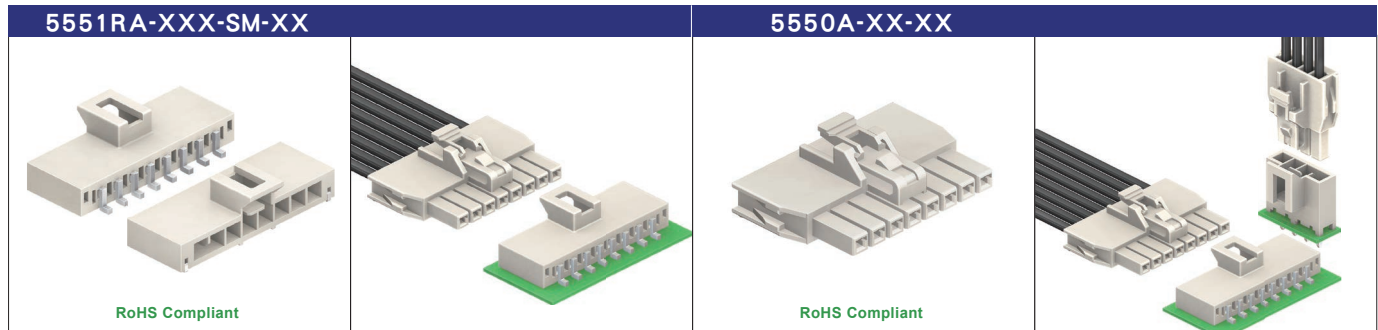
5551SA-XXX-XX Series:
 2.50mm Wafer Single Row
 Straight Dip Type.
 Mating Part:
 5551A-XX-XX Series.

2.50 /2.54mm Pitch

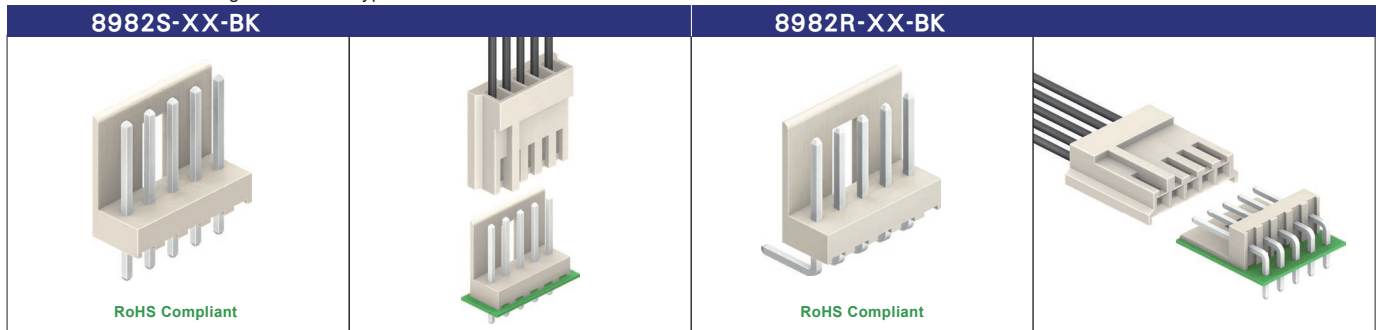
UNIT : mm



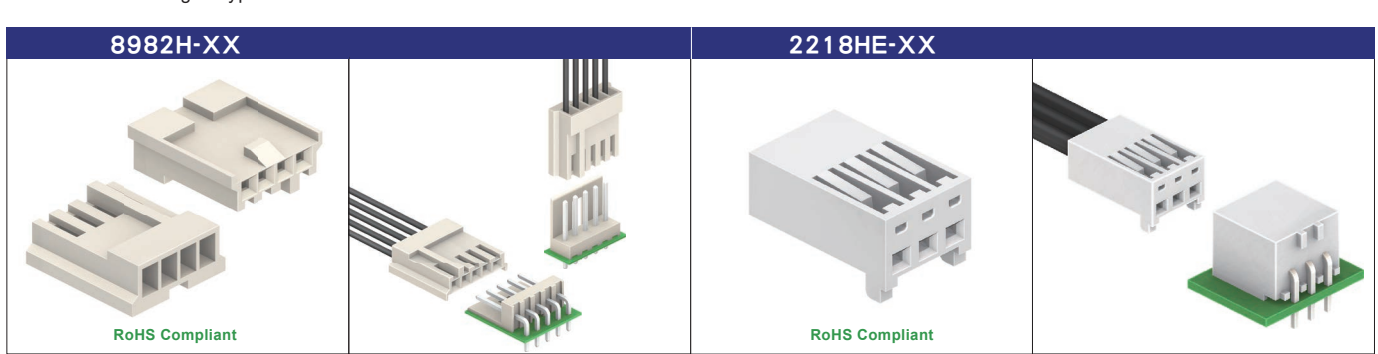
<p>5551SA-XXX-SM-XX Series: 2.50mm Wafer Single Row Straight SMD Type. Mating Part: 5550A-XX-XX Series.</p> <p>WH:White, BK:Black SM:SMD Type G:Gold Plated,T:Tin Plated MT:Matte Tin Plated No. of Contacts Single Row Straight Type</p>	<p>5551RA-XXX-XX Series: 2.50mm Wafer Single Row Right Angle Type. Mating Part: 5550A-XX-XX Series.</p> <p>WH:White, BK:Black G:Gold Plated, T:Tin Plated MT:Matte Tin Plated No. of Contacts Single Row R/A Type</p>
---	---



<p>5551RA-XXX-SM-XX Series: 2.50mm Wafer Single Row Right Angle SMD Type. Mating Part: 5550A-XX-XX Series.</p> <p>WH:White, BK:Black SM:SMD Type G:Gold Plated,T:Tin Plated MT:Matte Tin Plated No. of Contacts Single Row R/A Type</p>	<p>5550A-XX-XX Series: 2.50mm Housing Single Row. Mating Part: 5551SA(RA)-XXX-XX Series.</p> <p>WH:White BK:Black No. of Contacts Single Row</p>
---	--



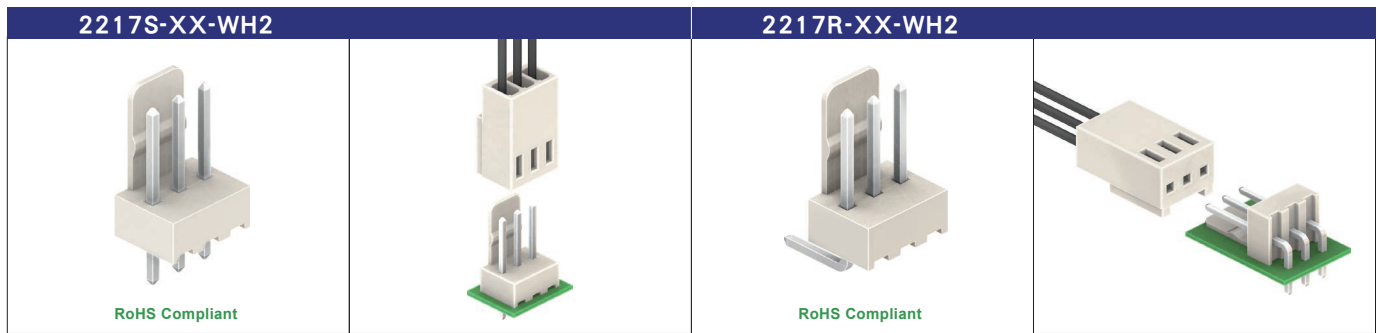
<p>8982S-XX-BK Series: 2.50mm Wafer Single Row Straight Dip Type. Mating Part: 8982H-XX Series.</p> <p>BK: Black Blank: Standard Type No. of Contacts Straight Type</p>	<p>8982R-XX-BK Series: 2.50mm Wafer Single Row Right Angle Dip Type. Mating Part: 8982H-XX Series.</p> <p>BK: Black Blank: Standard Type No. of Contacts Right Angle Type</p>
---	---



<p>8982H-XX Series: 2.50mm Housing Single Row Connector. Mating Part: 8982S(R)-XX Series.</p> <p>No. of Contacts Housing</p>	<p>2218HE-XX Series: 2.54mm Housing Single Row Connector. Mating Part: 2217RE-XX Series.</p> <p>No. of Contacts Housing</p>
--	---

2.54mm Pitch

UNIT : mm

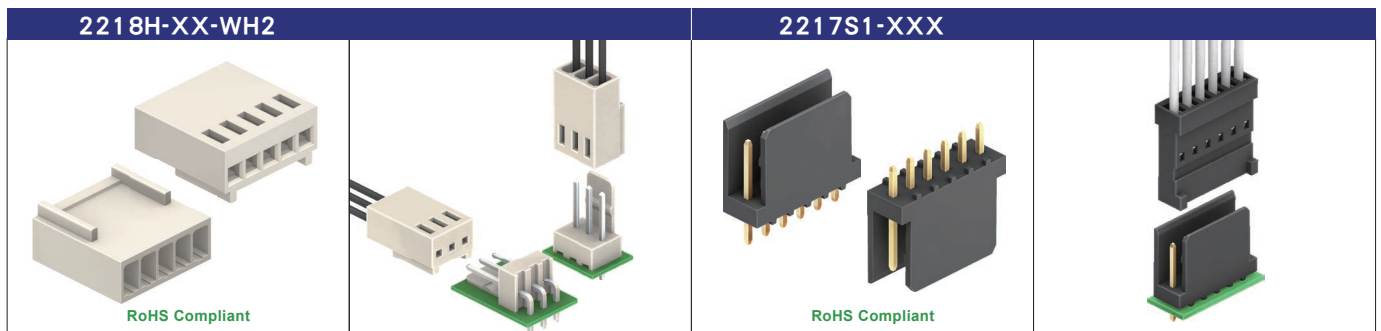


2217S-XX-WH2
 Beige White
 No. of Contacts
 Straight Type

2217S-XX-WH2 Series:
 2.54mm Wafer Single Row
 Straight Dip Type.
 Mating Part:
 2218H-XX-WH2 Series.

2217R-XX-WH2
 Beige White
 No. of Contacts
 R: Right Angle Type
 RR: Reverse R/A Type

2217R(RR)-XX-WH2 Series:
 2.54mm Wafer Single Row
 R/A & Reverse R/A Dip Type.
 Mating Part:
 2218H-XX-WH2 Series.

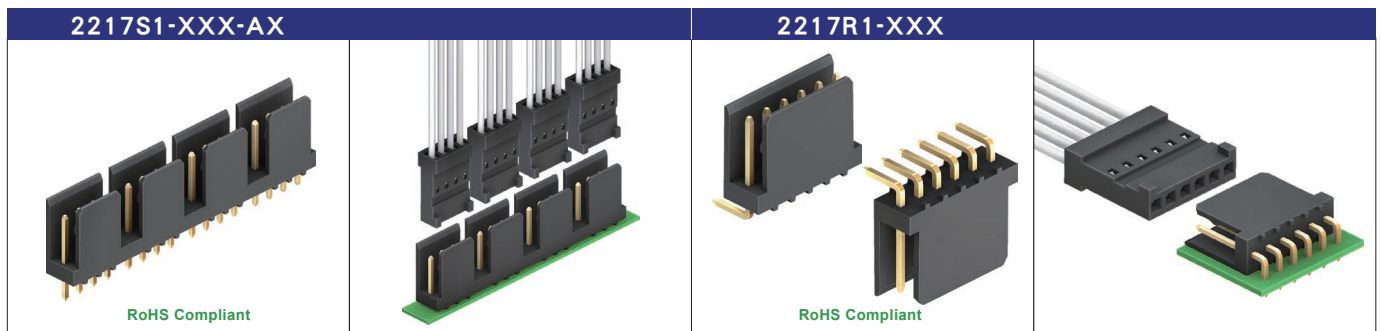


2218H-XX-WH2
 Beige White
 No. of Contacts
 Housing

2218H-XX-WH2 Series:
 2.54mm Housing Single Row
 Connector.
 Mating Part:
 2217S(R)(RR)-XX-WH2 Series.

2217S1-XXX
 T: Tin Plated
 G: Gold Plated
 No. of Contacts
 Single Row Straight

2217S1-XXX Series:
 2.54mm Wafer Single Row
 Straight Dip Type.
 Mating Part:
 2218H1A-XX Series.

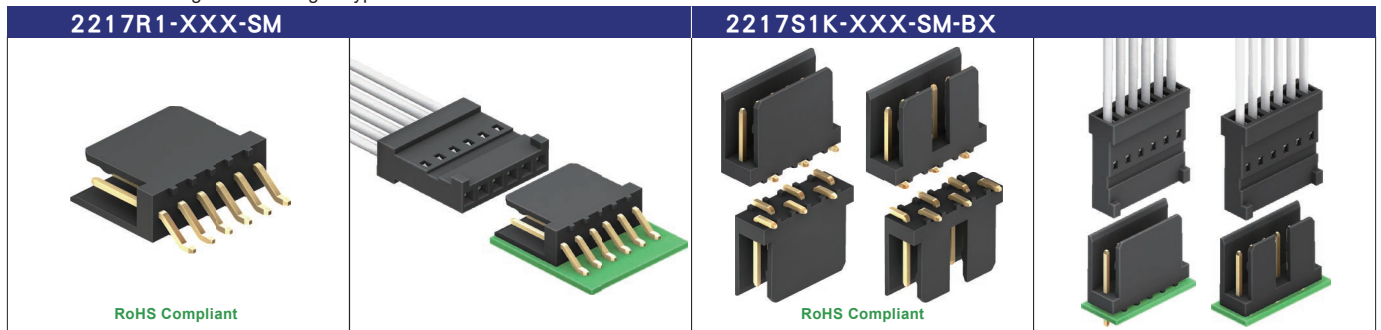


2217S1-XXX-AX
 Blank: 1 Port ; A2: 2 Port
 A3: 3 Port ; A4: 4 Port
 T: Tin Plated
 G: Gold Plated
 No. of Contacts
 Single Row Straight Type

2217S1-XXX-AX Series:
 2.54mm Wafer Single Row
 Straight Dip Type.
 Mating Part:
 2218H1A-XX Series.

2217R1-XXX
 T: Tin Plated
 G: Gold Plated
 No. of Contacts
 Single Row R/A Type

2217R1-XXX Series:
 2.54mm Wafer Single Row
 R/A Dip Type.
 Mating Part:
 2218H1A-XX Series.



2217R1-XXX-SM
 SMD Type
 T: Tin Plated
 G: Gold Plated
 No. of Contacts
 Single Row R/A Type


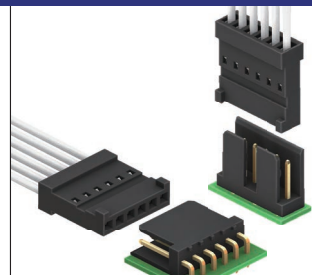
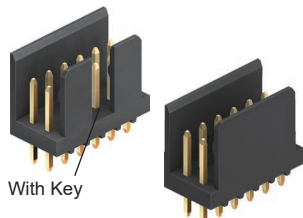

2217R1-XXX-SM Series:
 2.54mm Wafer Single Row
 R/A SMD Type.
 Mating Part:
 2218H1A-XX Series.

2217S1K-XXX-SM-BX
 BX: B1, B2 Type
 SMD Type
 No. of Contacts
 Blank: W/O Key
 K: With Key
 Single Row Straight Type

2217S1-XXX-SM-BX Series:
 2.54mm Wafer Single Row
 Straight SMD Type.
 Mating Part:
 2218H1A-XX Series.

2.54mm Pitch

UNIT : mm

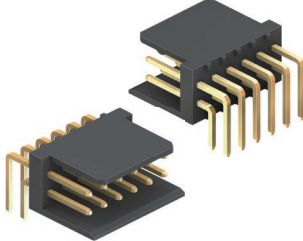
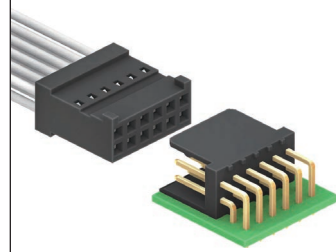
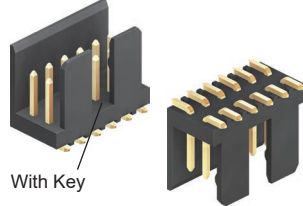

2218H1A-XX		2217S2K-XX-XX	
			
RoHS Compliant		RoHS Compliant	

2218H1A-XX
 No. of Contacts
 Single Row Housing

2218H1A-XX Series:
 2.54mm Housing Single Row Connector.
 Mating Part:
 2217S1(R1)-XX Series.

2217S2K-XX-XX
 Blank: Black(Standard)
 No. of Contacts
 Blank: W/O Key;
 K: With Key
 Double Rows Straight Type

2217S2-XX-XX Series:
 2.54mm Wafer Double Rows Straight Dip Type.
 Mating Part:
 2218H2A-XX Series.

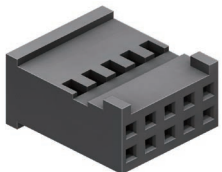



2217R2-XXX		2217S2K-XX-SM-XX	
			
RoHS Compliant		RoHS Compliant	

2217R2-XXX
 T: Tin Plated
 G: Gold Plated
 No. of Contacts
 Double Rows R/A Type

2217R2-XX Series:
 2.54mm Wafer Double Rows Right Angle Dip Type.
 Mating Part:
 2218H2A-XX Series.

2217S2K-XX-SM-XX
 Blank: Black(Standard)
 SMD Type
 Blank: Dip Type
 No. of Contacts
 Blank: W/O Key;
 K: With Key
 Double Rows Straight Type

2217S2-XX-SM Series:
 2.54mm Wafer Double Rows Straight SMD Type.
 Mating Part:
 2218H2A-XX Series.



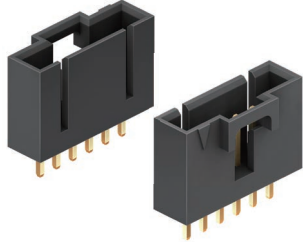

2218H2A-XX		2226A-XX	
			
RoHS Compliant		RoHS Compliant	

2218H2A-XX
 No. of Contacts
 Double Rows Housing

2218H2A-XX Series:
 2.54mm Housing Double Rows Connector.
 Mating Part:
 2217S2(R2)-XX Series.

2226A-XX
 No. of Contacts
 Single Row Housing

2226A-XX Series:
 2.54mm Housing Single Row Connector.
 Mating Part:
 2217S1(R1)-XX Series.

2226B-XX		3750S-XX	
			
RoHS Compliant		RoHS Compliant	

2226B-XX
 No. of Contacts
 Double Row Housing

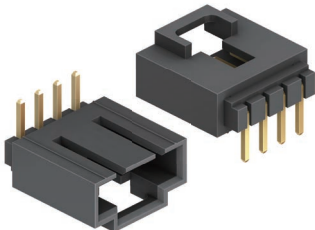
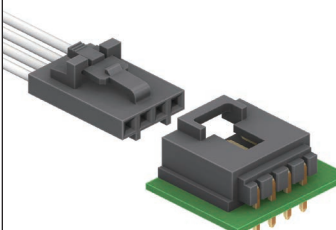
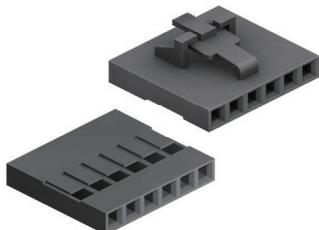

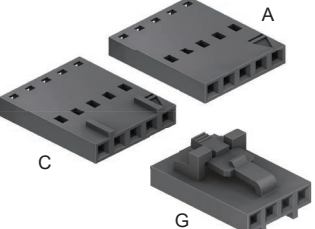
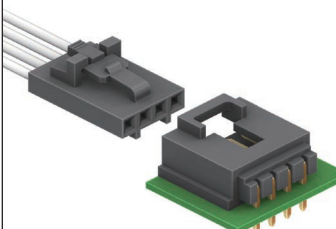
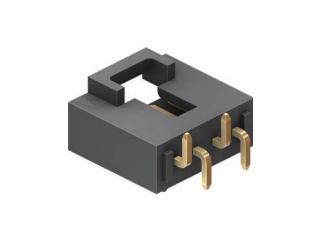
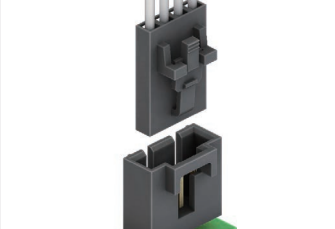
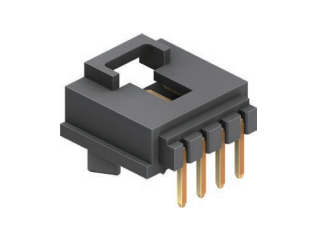
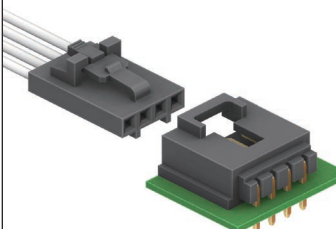

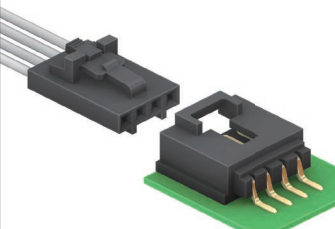
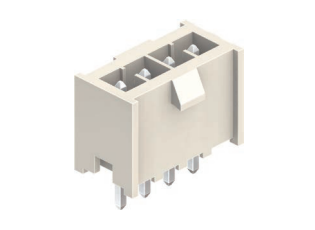
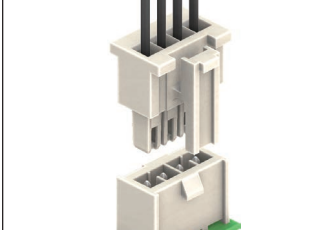
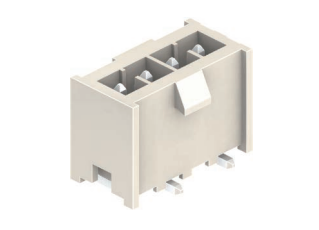
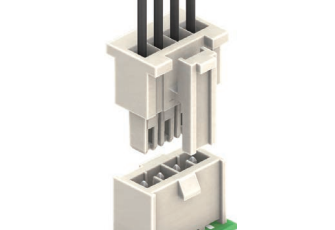
2226B-XX Series:
 2.54mm Housing Double Rows Connector.
 Mating Part:
 2217S2(R2)-XX Series.

3750S-XX
 No. of Contacts
 Straight Type

3750S-XX Series:
 2.54mm Pocket Header Single Row Straight Dip Type.
 Mating Part:
 3750X-XX & 3750H-XX Series.

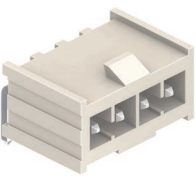
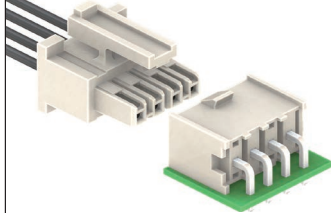

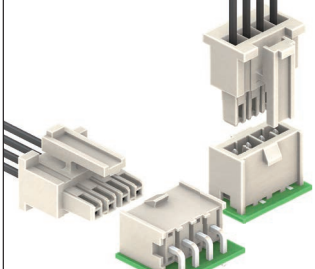
2.54mm Pitch

UNIT : mm

3750R-XX		3750H-XX	
			
RoHS Compliant	RoHS Compliant	RoHS Compliant	
3750R-XX No. of Contacts Right Angle Type	3750R-XX Series: 2.54mm Pocket Header Single Row Right Angle Dip Type. Mating Part: 3750X-XX & 3750H-XX Series.	3750H-XX No. of Contacts Single Row Housing	3750H-04 Series: 2.54mm Housing Single Row Connector. Mating Part: 3750S(R)-XX Series.
3750X-XX		3750S-XXX-SM	
			
RoHS Compliant	RoHS Compliant	RoHS Compliant	
3750X-XX No. of Contacts A: Flat Type Housing C: W/Guide Housing G: W/Lock Housing	3750X-XX Series: 2.54mm Housing Single Row Connector With Lock Type. Mating Part: 3750S(R)-XX Series.	3750S-XXX-SM SMD Type Blank: Gold Plated T: Tin Plated No. of Contacts Straight Type	3750S-XXX-SM Series 2.54mm Pocket Header Single Row Straight SMD Type Mating Part: 3750X-XX & 3750H-XX Series
3750R-XXX-PG-F5		3750R-XXX-SM-PG	
			
RoHS Compliant	RoHS Compliant	RoHS Compliant	
3750R-XXX-PG-F5 With Peg Blank: Gold Plated T: Tin Plated No. of Contacts Right Angle Type	3750R-XXX-PG-F5 Series: 2.54mm Pocket Header Single Row Right Angle Type With Peg Mating Part: 3750X-XX & 3750H-XX Series	3750R-XXX-SM-PG With Peg SMD Type Blank: Gold Plated T: Tin Plated No. of Contacts Right Angle Type	3750R-XXX-SM-PG Series: 2.54mm Pocket Header Single Row Right Angle SMD Type Mating Part: 3750X-XX & 3750H-XX Series
5553SA-XXX		5553SA-XXX-SM	
			
RoHS Compliant	RoHS Compliant	RoHS Compliant	
5553SA-XXX T: Tin Plated G: Gold Plated No. of Contacts Single Row Straight Type	5553SA-XXX Series: 2.54mm Power Wafer Single Row Straight Type. Mating Part: 5552HA-XX Series.	5553SA-XXX-SM SMD Type T: Tin Plated G: Gold Plated No. of Contacts Single Row Straight Type	5553SA-XXX-SM Series: 2.54mm Power Wafer Single Row Straight SMD Type. Mating Part: 5552HA-XX Series.

2.54 / 3.00mm Pitch

UNIT : mm

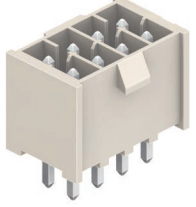

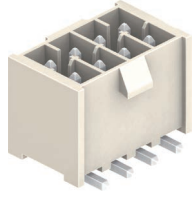
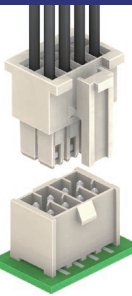
5553RA-XXX		5552HA-XX	
			
RoHS Compliant	RoHS Compliant	RoHS Compliant	RoHS Compliant

5553RA-XXX
 T: Tin Plated
 G: Gold Plated
 No. of Contacts
 Single Row R/A Type

5553RA-XXX Series:
 2.54mm Power Wafer Single Row Right Angle Type.
 Mating Part: 5552HA-XX Series.

5552HA-XX
 No. of Contacts
 Housing Single Row

5552HA-XX Series:
 2.54mm Housing Single Row Connector.
 Mating Part: 5553SA(RA)-XXX, 5553SA-XXX-SM Series.

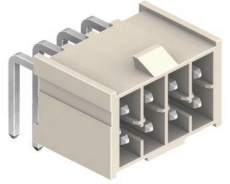
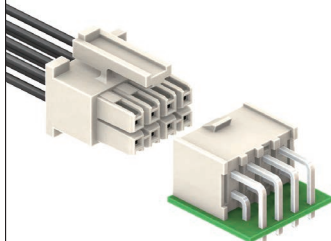

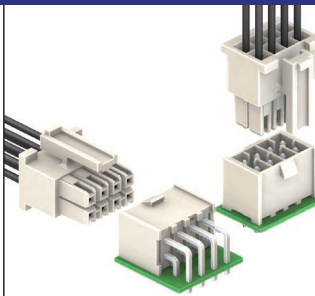
5553S-XXX		5553S-XXX-SM	
			
RoHS Compliant	RoHS Compliant	RoHS Compliant	RoHS Compliant

5553S-XXX
 T: Tin Plated
 G: Gold Plated
 No. of Contacts
 Double Rows Straight Type

5553S-XXX Series:
 2.54mm Power Wafer Double Rows Straight Type.
 Mating Part: 5552H-XX Series.

5553S-XXX-SM
 SMD Type
 T: Tin Plated
 G: Gold Plated
 No. of Contacts
 Double Rows Straight Type

5553S-XXX-SM Series:
 2.54mm Power Wafer Double Rows Straight SMD Type.
 Mating Part: 5552-XX Series.

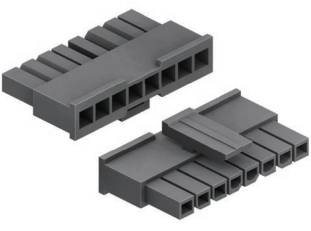
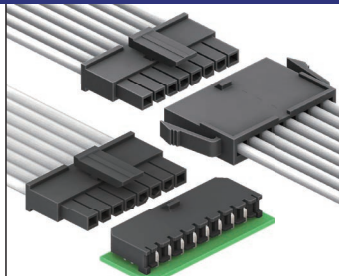
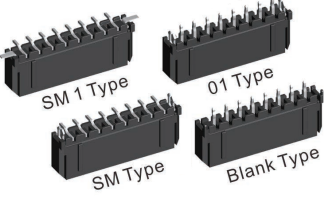

5553R-XXX		5552H-XX	
			
RoHS Compliant	RoHS Compliant	RoHS Compliant	RoHS Compliant

5553R-XXX
 T: Tin Plated
 G: Gold Plated
 No. of Contacts
 Double Rows R/A Type

5553R-XXX Series:
 2.54mm Power Wafer Double Rows Right Angle Type.
 Mating Part: 5552H-XX Series.

5552H-XX
 No. of Contacts
 Housing Double Rows

5552H-XX Series:
 2.54mm Housing Double Rows Connector.
 Mating Part: 5553S(R)-XXX, 5553S-XXX-SM Series.

5560A-XX		5561SA-XX-XX	
			
RoHS Compliant	RoHS Compliant	RoHS Compliant	RoHS Compliant

5560A-XX
 No. of Contacts
 Socket Housing Single Row

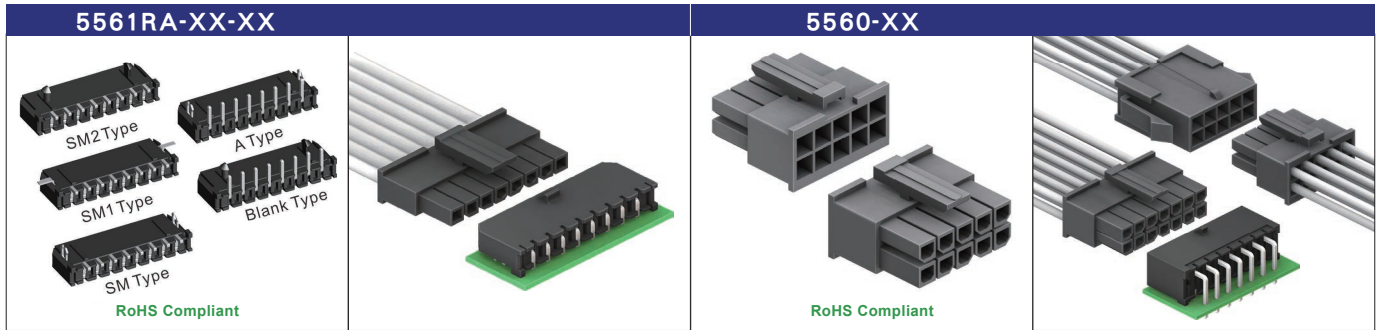
5560A-XX Series:
 3.00mm Socket Housing Single Row Connector.
 Mating Part: 5561A, 5561SA, 5561RA Series.

5561SA-XX-XX
 Blank: With Peg
 01: With Board Lock
 SM: SMD Type
 SM1: SMD Type1
 No. of Contacts
 Single Row Straight Type

5561SA-XX-XX Series:
 3.00mm Wafer Single Row Straight SMD & Dip Type.
 Mating Part: 5560A-XX Series.

3.00 / 3.50mm Pitch

UNIT : mm

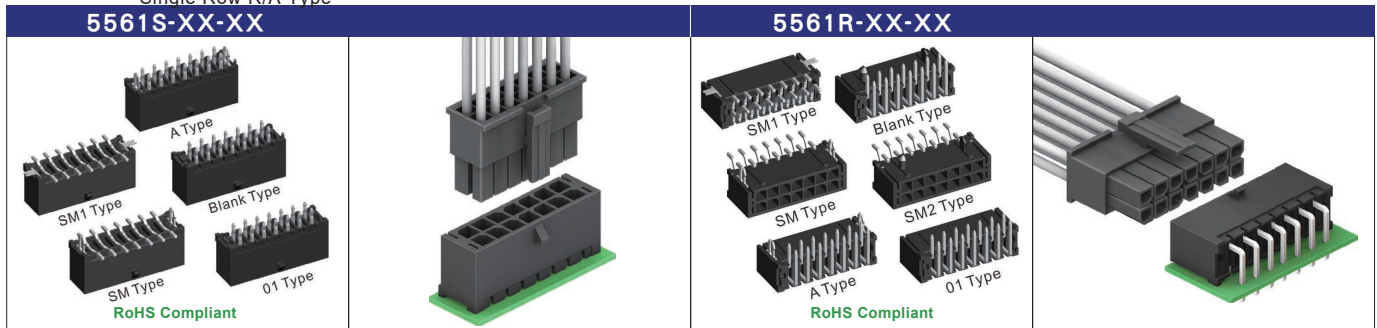


5561RA-XX-XX
 Blank: With Peg
 A: With Board Lock
 SM: SMD Type
 SM1: SMD Type1
 SM2: SMD Type2
 No. of Contacts
 Single Row R/A Type

5561RA-XX-XX Series:
 3.00mm Wafer Single Row
 Right Angle SMD & Dip Type.
 Mating Part:
 5560A-XX Series.

5560-XX
 No. of Contacts
 Socket Housing
 Double Rows

5560-XX Series:
 3.00mm Socket Housing
 Double Rows Connector.
 Mating Part:
 5561, 5561S, 5561R Series.

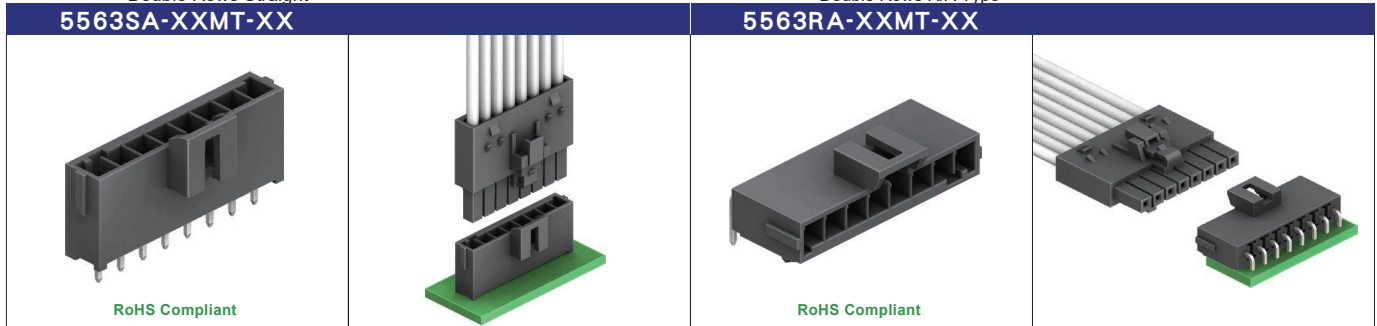


5561S-XX-XX
 Blank: With Peg
 A: With Board Lock
 SM: SMD Type
 SM1: SMD Type1
 No. of Contacts
 Double Rows Straight

5561S-XX Series:
 3.00mm Wafer Double Rows
 Straight SMD & Dip Type.
 Mating Part:
 5560-XX Series.

5561R-XX-XX
 Blank: With Peg
 A: With Board Lock
 SM: SMD Type
 SM1: SMD Type1
 SM2: SMD Type2
 No. of Contacts
 Double Rows R/A Type

5561R-XX-XX Series:
 3.00mm Wafer Double Rows
 Right Angle SMD & Dip Type.
 Mating Part:
 5560-XX Series.

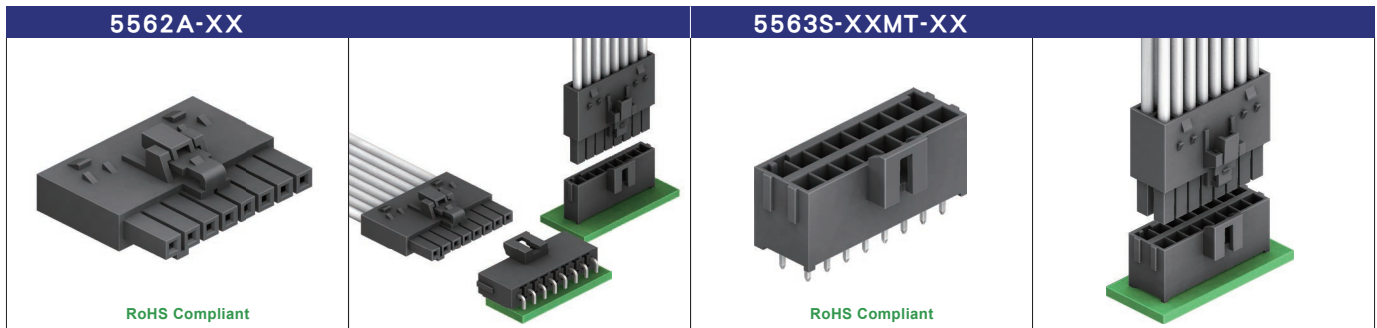


5563SA-XXMT-XX
 Blank W/O Peg
 PG: With Peg
 No. of Contacts
 Single Row Straight Type

5563SA-XXMT-XX Series:
 3.50mm Wafer Single Row
 Straight Type
 Mating Part:
 5562A-XX Series.

5563RA-XXMT-XX
 Blank W/O Peg
 PG: With Peg
 No. of Contacts
 Single Row R/A Type

5563RA-XXMT-XX Series:
 3.50mm Wafer Single Row
 Right Angle Type
 Mating Part:
 5562A-XX Series.



5562A-XX
 No. of Contacts
 Single Row

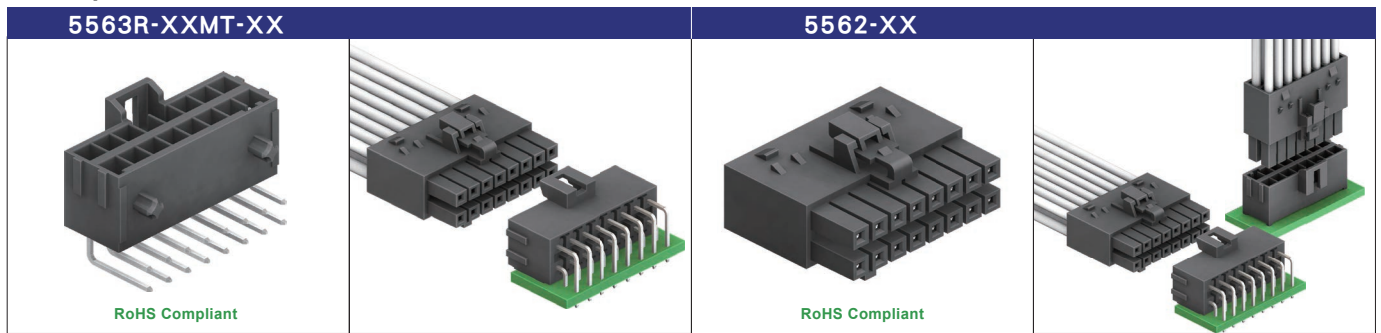
5562A-XX Series:
 3.50mm Housing Single Row
 Connector
 Mating Part:
 5563SA(RA)-XXMT-XX Series.

5563S-XXMT-XX
 Blank W/O Peg
 PG: With Peg
 No. of Contacts
 Straight Type

5563S-XXMT-XX Series:
 3.50mm Wafer Double Rows
 Straight Type.
 Mating Part:
 5562-XX Series.

3.50 / 3.96mm Pitch

UNIT : mm

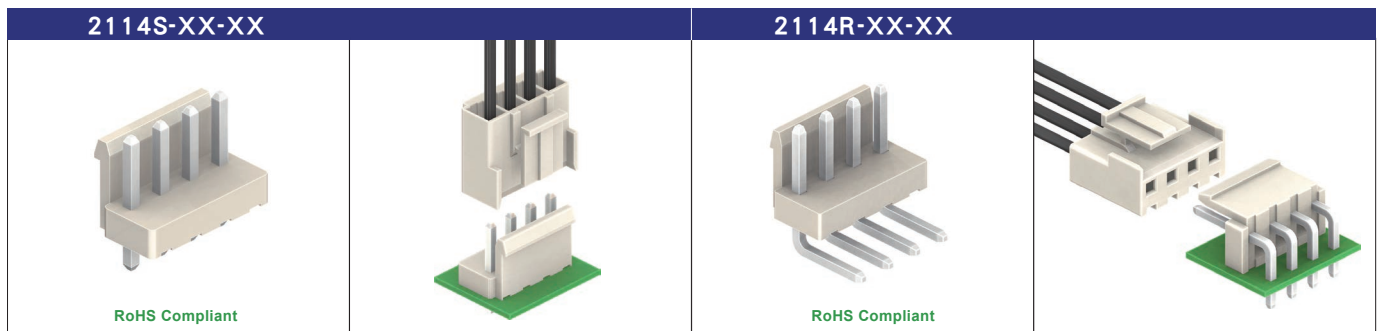


5563R-XXMT-XX
 Blank W/O Peg
 PG: With Peg
 No. of Contacts
 Right Angle Type

5563R-XXMT-XX Series:
 3.50mm Wafer Double Rows
 Right Angle Type.
 Mating Part:
 5562-XX Series.

5562-XX
 No. of Contacts

5562-XX Series:
 3.50mm Housing Double Rows
 Connector.
 Mating Part:
 5563S(R)-XXMT Series.

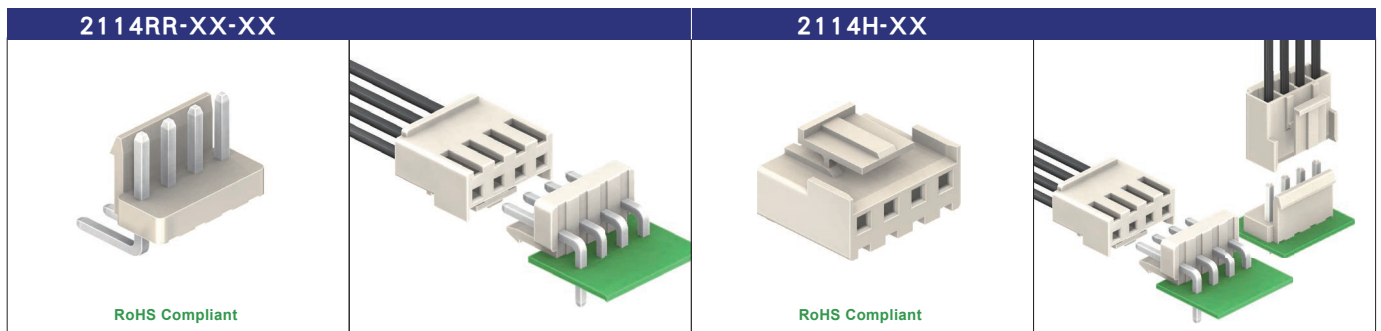


2114S-XX-XX
 Blank: Standard
 Pin Length
 No. of Contacts
 Straight Type

2114S-XX Series:
 3.96mm Wafer Straight Type.
 Mating Part:
 2114H-XX Series.

2114R-XX-XX
 Blank: Standard
 Pin Length
 No. of Contacts
 R: Right Angle Type

2114R-XX-XX Series:
 3.96mm Wafer Right Angle Type.
 Mating Part:
 2114H-XX Series.

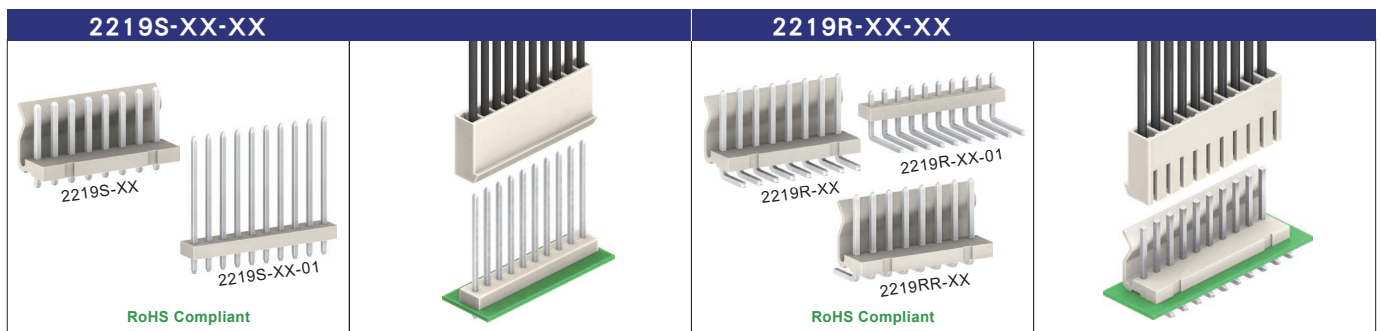


2114RR-XX-XX
 Blank: Standard
 Pin Length
 No. of Contacts
 RR: Reverse R/A Type

2114RR-XX-XX Series:
 3.96mm Wafer Reverse Right Angle
 Type.
 Mating Part:
 2114H-XX Series.

2114H-XX
 No. of Contacts
 Housing

2114H-XX Series:
 3.96mm Housing Single Row
 Connector.
 Mating Part:
 2114S(R)(RR)-XX-XX Series.



2219S-XX-XX
 Blank: With Lock
 01: Without Lock
 No. of Contacts
 Straight Type

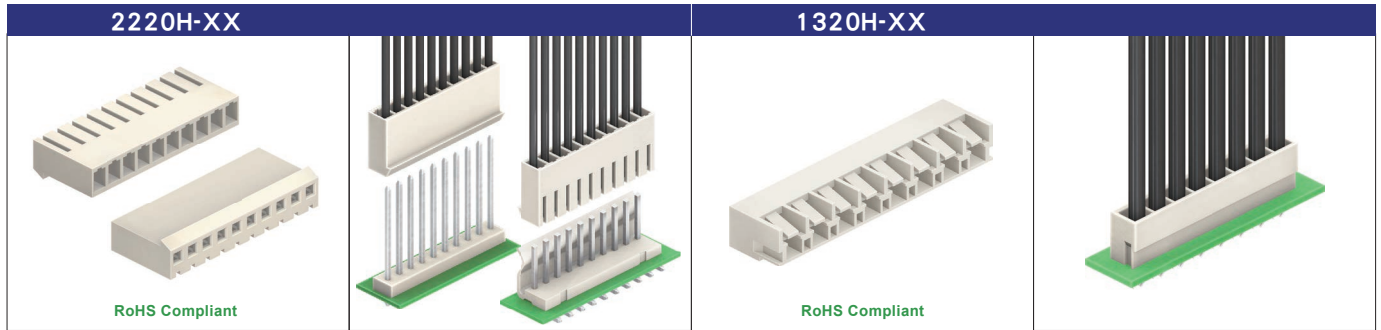
2219S-XX Series:
 3.96mm Wafer Straight Type.
 Mating Part:
 2220H-XX-(SPX) Series.

2219R-XX-XX
 Blank: With Lock
 01: Without Lock
 No. of Contacts
 R: Right Angle Type
 RR: Reverse R/A Type

2219R(RR)-XX Series:
 3.96mm Wafer R/A & Reverse
 R/A & SMD Type.
 Mating Part:
 2220H-XX-(SPX) Series.

3.96 / 4.20mm Pitch

UNIT : mm

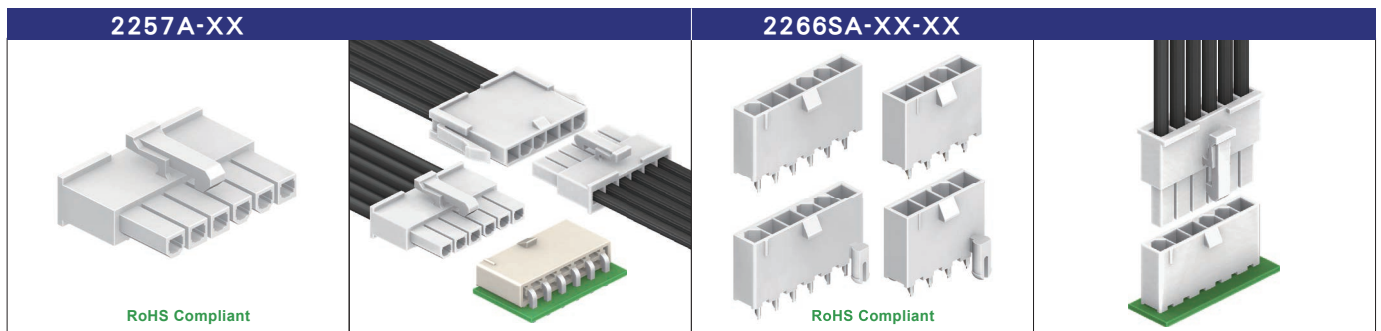


2220H-XX
 No. of Contacts
 Housing

2220H-XX Series:
 3.96mm Housing Single Row
 Connector.
 Mating Part:
 2219S(R)(RR)(SM)-XX Series.

1320H-XX
 No. of Contacts
 Housing

1320H-XX Series:
 3.96mm Housing Single Row
 Connector Board-In Type.
 Mating Part:
 PC. Board.

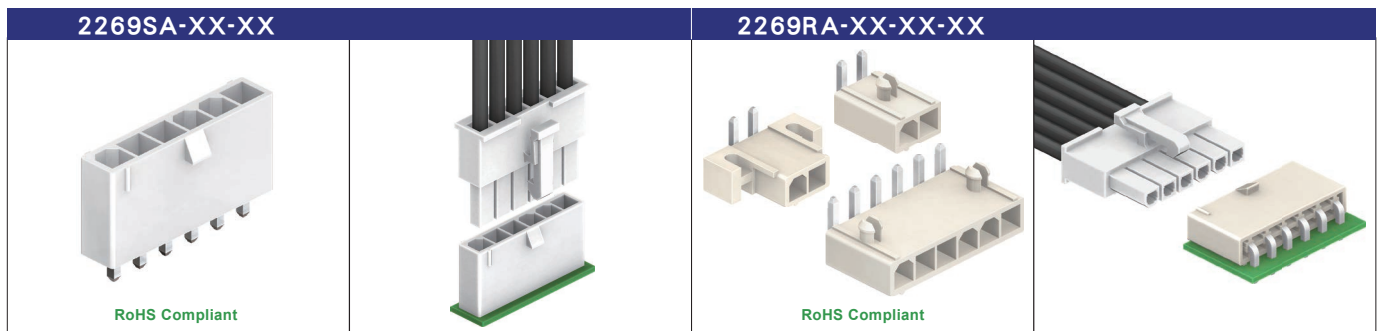


2257A-XX
 No. of Contacts
 Socket Housing
 Single Row

2257A-XX Series:
 4.20mm Socket Housing
 Single Row Connector.
 Mating Part:
 2259A, 2266SA, 2269SA, 2269A
 Series.

2266SA-XX-XX
 Blank: Without Peg
 PG: With Peg
 No. of Contacts
 Straight Single Row

2266SA-XX Series:
 4.20mm Wafer Single Row
 Straight Dip Type.
 Mating Part:
 2257A-XX Series.

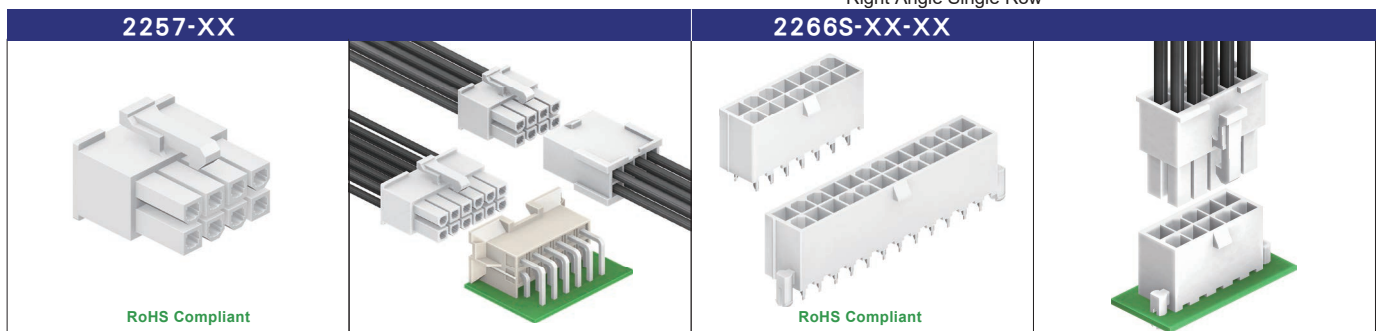


2269SA-XX-XX
 V0 : UL94V-0
 V2 : UL94V-2
 No. of Contacts
 Straight Single Row

2269SA-XX-XX Series:
 4.20mm Wafer Single Row
 Straight Dip Type.
 Mating Part:
 2257A-XX Series.

2269RA-XX-XX-XX
 Blank: With Mounting Ear
 01: Without Mounting Ear
 Blank: W/O Peg
 PG: With Peg
 No. of Contacts
 Right Angle Single Row

2269RA-XX Series:
 4.20mm Wafer Single Row
 Right Angle Dip Type.
 Mating Part:
 2257A-XX Series.



2257-XX
 No. of Contacts
 Socket Housing
 Double Rows





2257-XX Series:
 4.20mm Socket Housing Double Rows
 Connector.
 Mating Part:
 2259, 2266S, 2269S, 2269R Series.

2266S-XX-XX
 Blank: Without Peg
 PG: With Peg
 No. of Contacts
 Straight Double Rows

2266S-XX Series:
 4.20mm Wafer Double Rows
 Straight Dip Type.
 Mating Part:
 2257-XX Series.

4.20 / 5.08mm Pitch

UNIT : mm

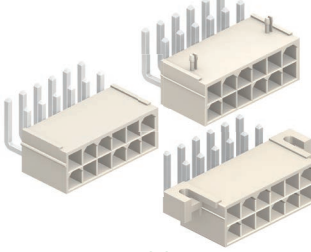
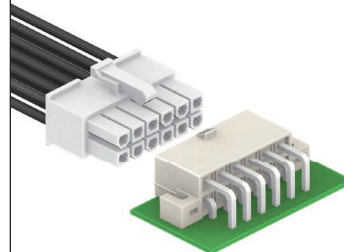
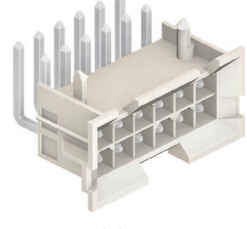
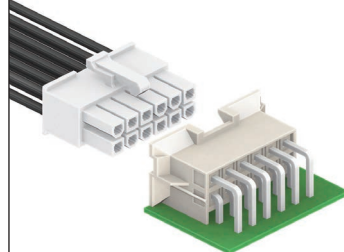
2266S-XX-M		2269S-XX-XX	
			
RoHS Compliant		RoHS Compliant	

2266S-XX-M
 Molding Type
 No. of Contacts
 Straight Double Rows

2266S-XX-M Series:
 4.20mm Wafer Double Rows
 Molding Straight Dip Type.
 Mating Part:
 2257-XX Series.

2269S-XX-XX
 V0 : UL94V-0
 V2 : UL94V-2
 No. of Contacts
 Straight Double Rows

2269S-XX Series:
 4.20mm Wafer Double Rows
 Straight Dip Type.
 Mating Part:
 2257-XX Series.

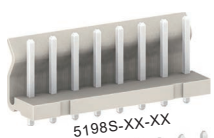
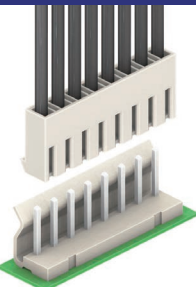
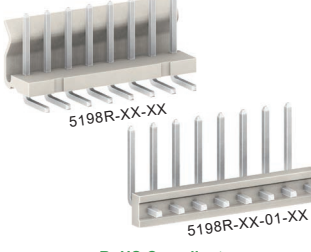
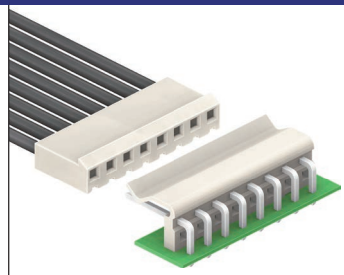
2269R-XX-XX-XX		2269R-XX-BMI	
			
RoHS Compliant		RoHS Compliant	

2269R-XX-XX-XX
 Blank: With Mounting Ear
 01: Without Mounting Ear
 Blank: W/O Peg
 PG: With Peg
 No. of Contacts
 Right Angle Double Rows

2269R-XX Series:
 4.20mm Wafer Double Rows
 Right Angle Dip Type.
 Mating Part:
 2257-XX Series.

2269R-XX-BMI
 Blind Mate Type
 No. of Contacts
 Right Angle Double Rows

2269R-XX-BMI Series:
 4.20mm Wafer With Blind Mate
 Double Rows Right Angle Dip Type.
 Mating Part:
 2257-XX Series.

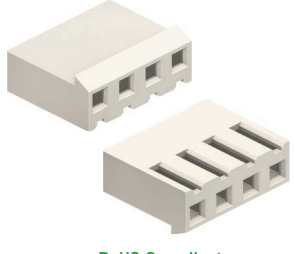
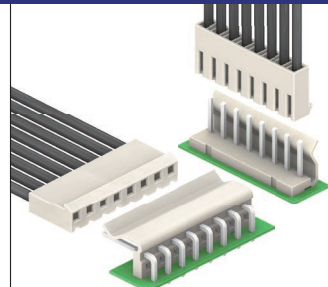


5198S-XX-XX-XX		5198R-XX-XX-XX	
			
RoHS Compliant		RoHS Compliant	

5198S-XX-XX-XX
 Blank: Standard Pin Length
 Blank: With Lock
 01: Without Lock
 No. of Contacts
 Straight Type

5198S-XX Series:
 5.08mm Wafer Single Row
 Straight Dip Type.
 Mating Part:
 5198H-XX Series.

5198R-XX-XX-XX
 Blank: Standard Pin Length
 Blank: With Lock
 01: Without Lock
 No. of Contacts
 Right Angle Type

5198R-XX Series:
 5.08mm Wafer Single Row
 Right Angle Dip Type.
 Mating Part:
 5198H-XX Series.

5198H-XX		8981S-04	
			
RoHS Compliant		RoHS Compliant	

5198H-XX
 No. of Contacts
 Housing

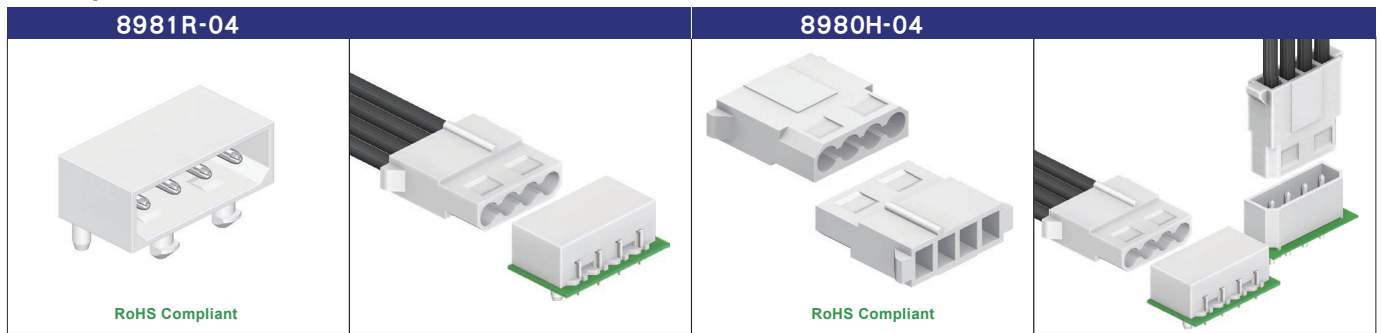
5198H-XX Series:
 5.08mm Housing Single Row
 Connector.
 Mating Part:
 5198S(R)-XX Series.

8981S-04
 No. of Contacts
 Straight Type

8981S-04 Series:
 5.08mm Power Wafer Single
 Row Straight Dip Type.
 Mating Part:
 8980H-04 Series.

5.08 / 5.70mm Pitch

UNIT : mm

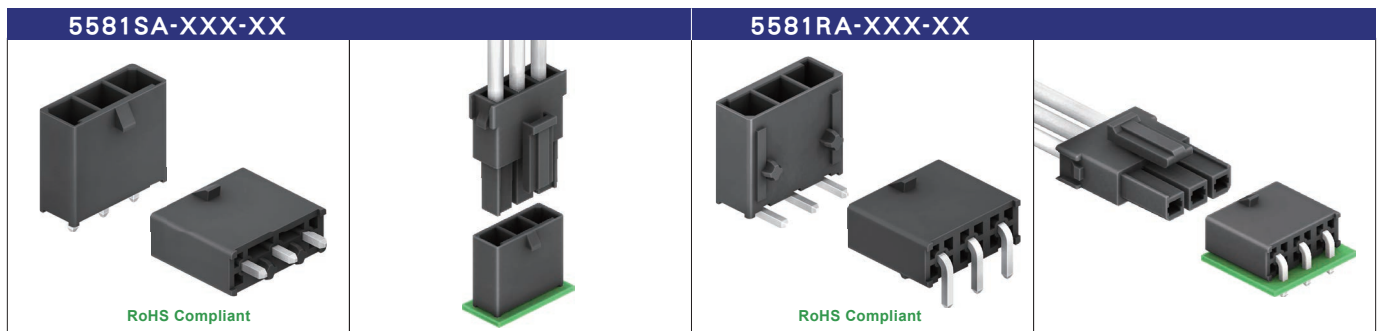


8981R-04
 No. of Contacts
 Right Angle Type

8981R-04 Series:
 5.08mm Power Wafer Single Row Right Angle Dip Type.
 Mating Part:
 8980H-04 Series.

8980H-04
 No. of Contacts
 Housing

8980H-04 Series:
 5.08mm Socket Housing Single Row Connector.
 Mating Part:
 8981S(R)-04 Series.

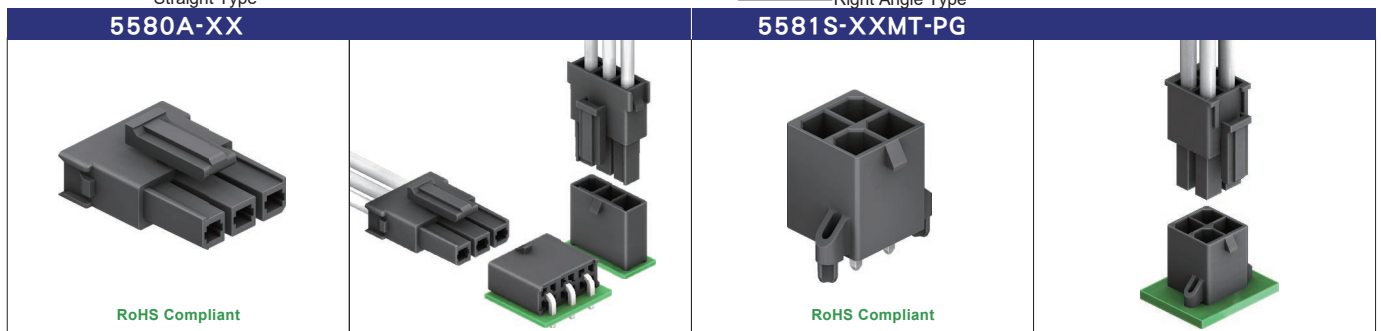


5581SA-XXX-XX
 Blank:W/O Peg
 PG:With Peg
 G:Gold Plated
 MT:Matte Tin Plated
 SG>Selective Gold Plated
 No. of Contacts
 Straight Type

5581SA-XXX-XX Series:
 5.70mm Power Wafer Single Row Straight Dip Type.
 Mating Part:
 5580A-XX Series.

5581RA-XXX-XX
 Blank:W/O Peg
 PG:With Peg
 G:Gold Plated
 MT:Matte Tin Plated
 SG>Selective Gold Plated
 No. of Contacts
 Right Angle Type

5581RA-XXX-XX Series:
 5.70mm Power Wafer Single Row Right Angle Dip Type.
 Mating Part:
 5580A-XX Series.

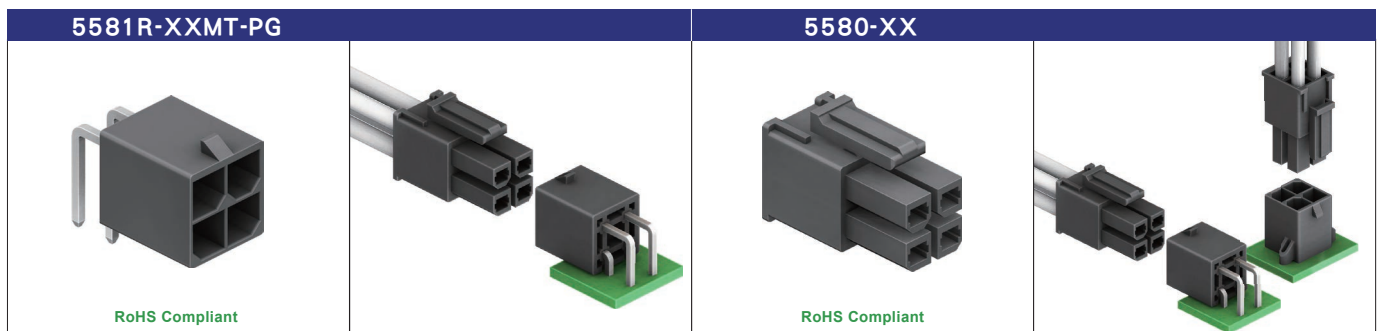


5580A-XX
 No. of Contacts
 Housing

5580A-XX Series:
 5.70mm Housing Single Row Connector.
 Mating Part:
 5581SA(RA)-XXX-XX Series.

5581S-XXMT-PG
 With Peg
 No. of Contacts
 Straight Type

5581S-XXMT-PG Series:
 5.70mm Power Wafer Double Rows Straight Dip Type.
 Mating Part:
 5580-XX Series.



5581R-XXMT-PG
 With Peg
 No. of Contacts
 Right Angle Type

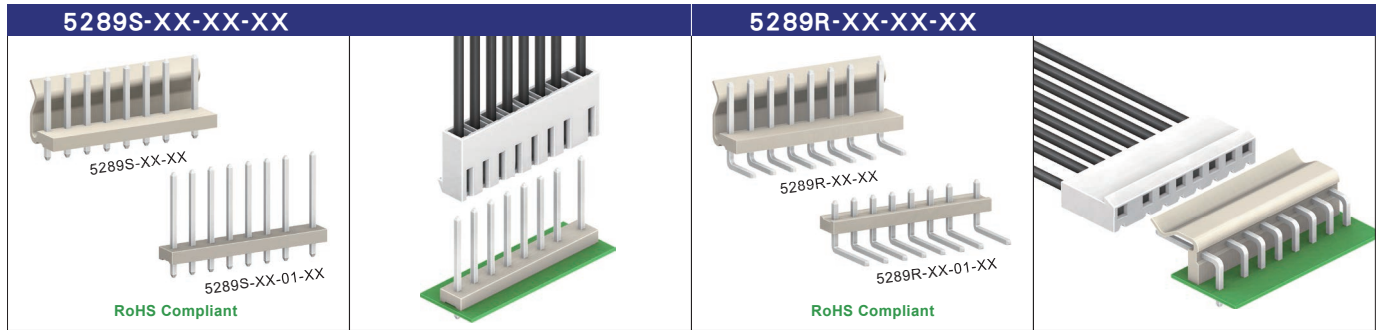
5581R-XXMT-PG Series:
 5.70mm Power Wafer Double Rows Right Angle Dip Type.
 Mating Part:
 5580-XX Series.

5580-XX
 No. of Contacts
 Housing

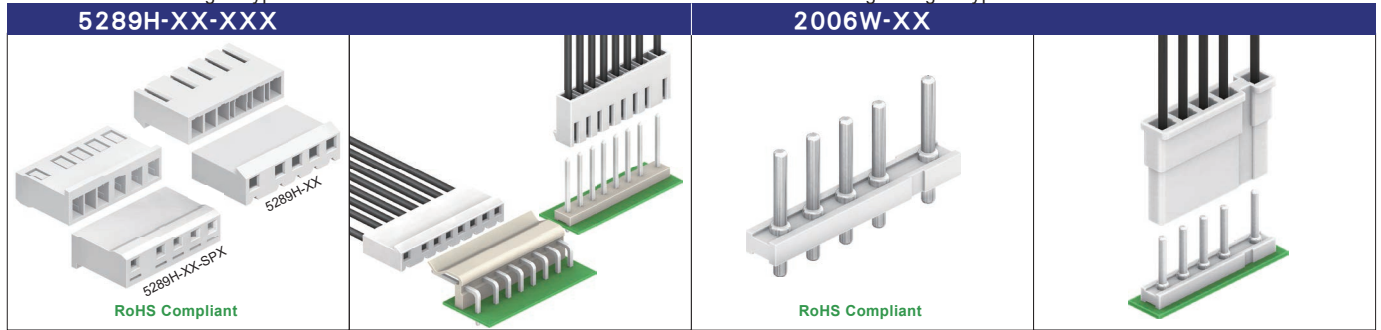
5580-XX Series:
 5.70mm Housing Double Rows Connector.
 Mating Part:
 5581S(R)-XXMT-PG Series.

5.00-7.50 / 6.35 / 8.00-10.00mm Pitch

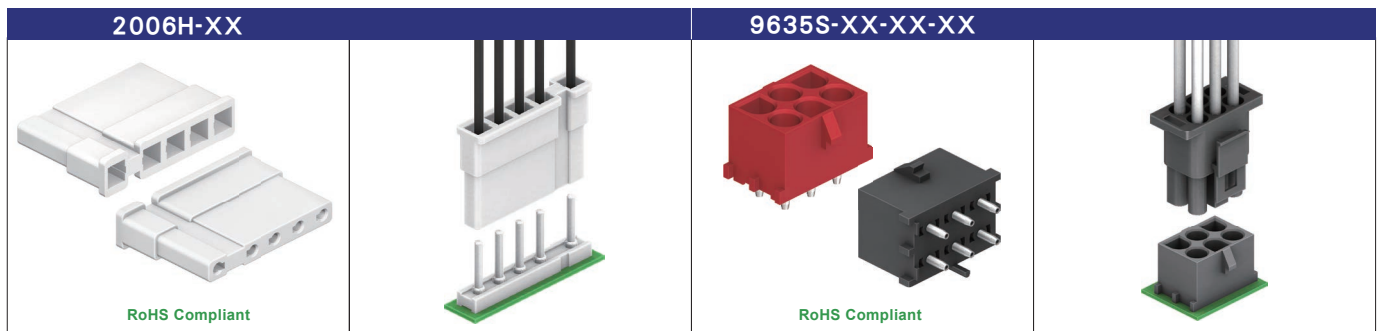
UNIT : mm



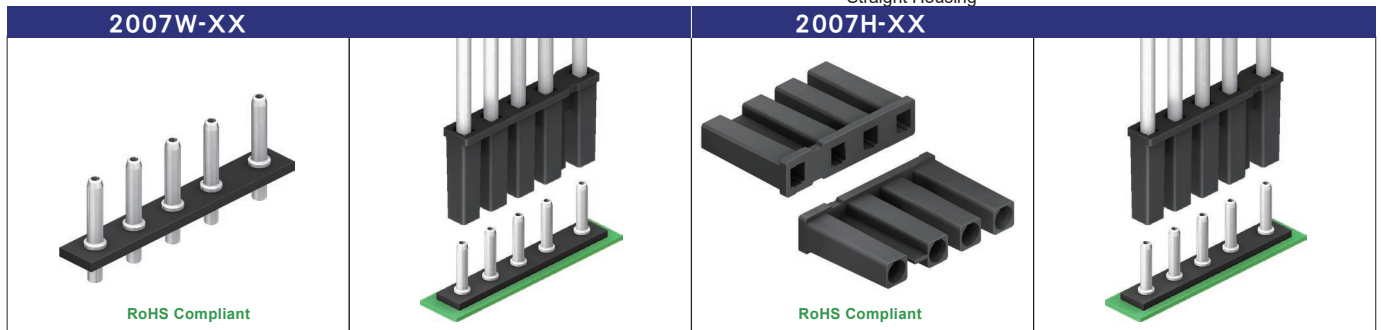
<p>5289S-XX-XX-XX</p> <ul style="list-style-type: none"> Blank: Standard Pin Length 01: Without Lock Blank: With Lock No. of Contacts Straight Type 	<p>5289S(R)-XX Series: 5.0/7.5mm Wafer Single Row Straight & R/A Dip Type. Mating Part: 5289H-XX-(SPX) Series.</p>	<p>5289R-XX-XX-XX</p> <ul style="list-style-type: none"> Blank: Standard Pin Length 01: Without Lock Blank: With Lock No. of Contacts Right Angle Type 	<p>5289S(R)-XX Series: 5.0/7.5mm Wafer Single Row Straight & R/A Dip Type. Mating Part: 5289H-XX-(SPX) Series.</p>
--	--	---	--



<p>5289H-XX-XXX</p> <ul style="list-style-type: none"> SPX: SPX Type Blank: Standard No. of Contacts Housing 	<p>5289H-XX-(SPX) Series: 5.0/7.5mm Housing Single Row Connector. Mating Part: 5289S(R)-XX Series.</p>	<p>2006W-XX</p> <ul style="list-style-type: none"> No. of Contacts Wafer 	<p>2006W-XX Series: 5.0/7.5mm Wafer 1.5mm Dia. Single Row Straight Dip Type. Mating Part: 2006H-XX Series.</p>
--	--	--	--



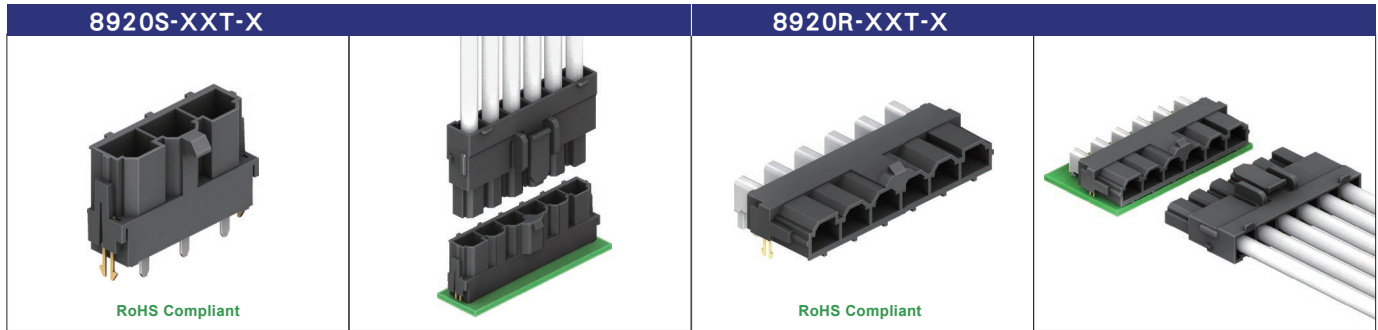
<p>2006H-XX</p> <ul style="list-style-type: none"> No. of Contacts Housing 	<p>2006H-XX Series: 5.0/7.5mm Housing Single Row Connector. Mating Part: 2006W-XX Series.</p>	<p>9635S-XX-XX-XX</p> <ul style="list-style-type: none"> Blank: W/O Peg PG: With Peg Blank: White BK: Black, GN: Green YL: Yellow, RD: Red No. of Contacts Straight Housing 	<p>9635S-XX-XX-XX Series: 6.35mm Wafer Straight Dip Type. Mating Part: 9635R-XX Series.</p>
--	---	--	---



<p>2007W-XX</p> <ul style="list-style-type: none"> No. of Contacts Wafer 	<p>2007W-XX Series: 8.0/10.0mm Wafer 2.36mm Dia. Single Row Straight Dip Type. Mating Part: 2007H-XX Series.</p>	<p>2007H-XX</p> <ul style="list-style-type: none"> No. of Contacts Housing 	<p>2007H-XX Series: 8.0/10.0mm Housing Single Row Connector. Mating Part: 2007W-XX Series.</p>
--	--	--	--

10.00mm Pitch

UNIT : mm

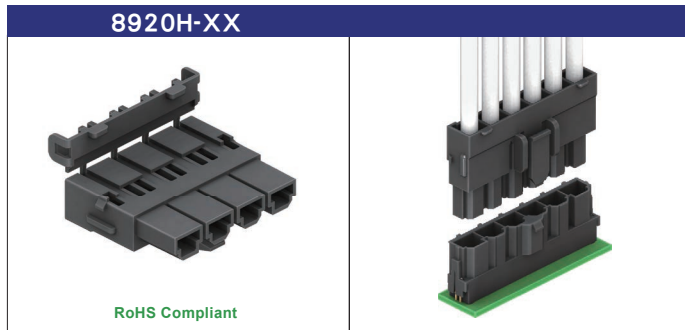


8920S-XXT-X
 PCB Thickness
 1: 1.57mm/2: 2.36mm
 3: 3.18mm/4: 6.35mm
 No. of Contacts
 Straight Type

8920S-XXT-X Series:
 10.00mm Socket Wafer Connector
 Single Row Straight Dip Type.
 Mating Part:
 8920H-XX Series.

8920R-XXT-X
 PCB Thickness
 1: 1.57mm/2: 2.36mm
 3: 3.18mm/4: 6.35mm
 No. of Contacts
 Right Angle Type

8920R-XXT-X Series:
 10.00mm Socket Wafer Connector
 Single Row Right Angle Dip Type.
 Mating Part:
 8920H-XX Series.

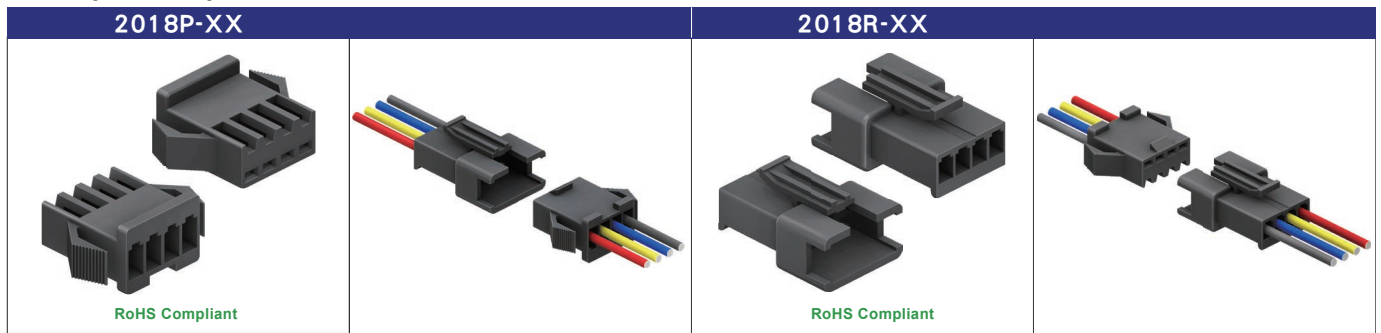


8920H-XX
 No. of Contacts
 Housing

8920H-XX Series:
 10.00mm Plug Housing Single Row
 Connector.
 Mating Part:
 8920S(R) Series.

2.50 / 2.54 / 3.00mm Pitch

UNIT : mm

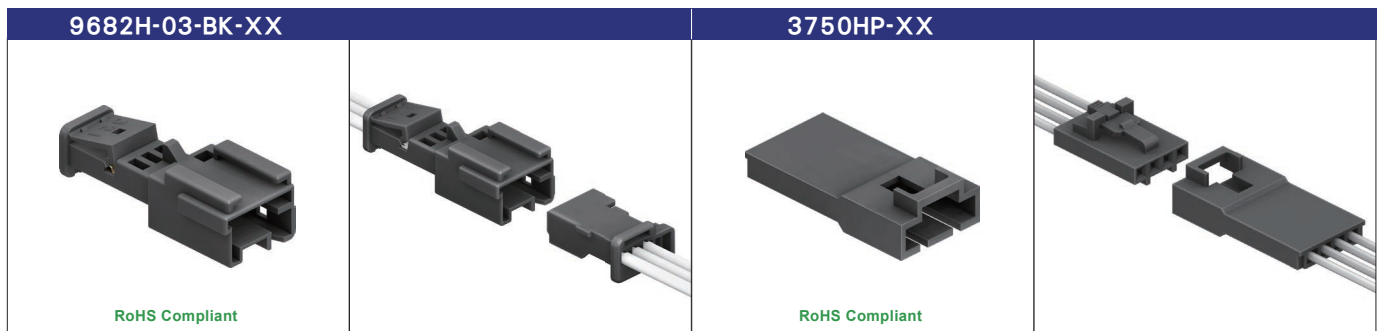


2018P-XX
 No. of Contacts
 Plug Housing

2018P-XX Series:
 2.50mm Housing Plug Connector.
 Mating Part:
 2018R-XX Series.

2018R-XX
 No. of Contacts
 Receptacle Housing

2018R-XX Series:
 2.50mm Housing Socket Connector.
 Mating Part:
 2018P-XX Series.

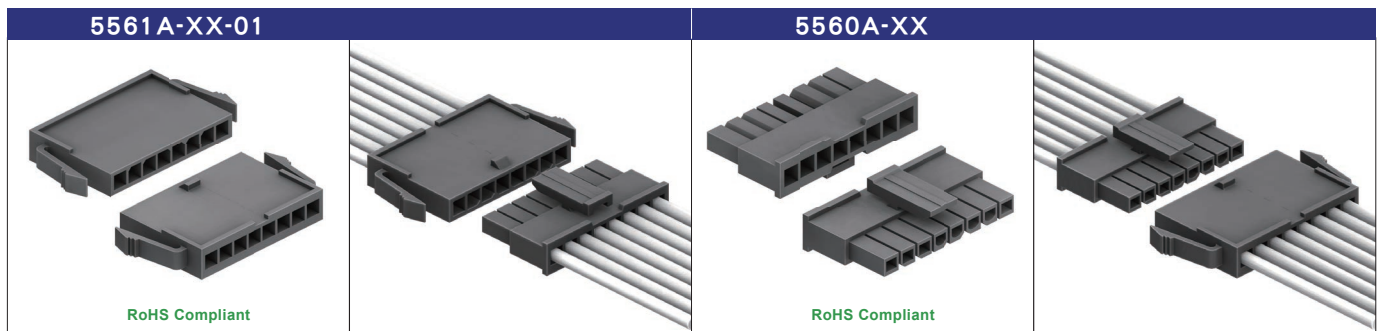


9682H-03-BK-XX
 Blank With Lock
 01: W/O Lock
 Black
 No. of Contacts
 Housing

9682H-03-BK-XX Series:
 3 Pos. MQS 2.54mm Housing
 Positive Mate
 Mating Part:
 9682R-03-BK.

3750HP-XX
 No. of Contacts
 Female Housing

3750HP-XX Series:
 2.54mm Female Housing
 Mating Part:
 3750 Series

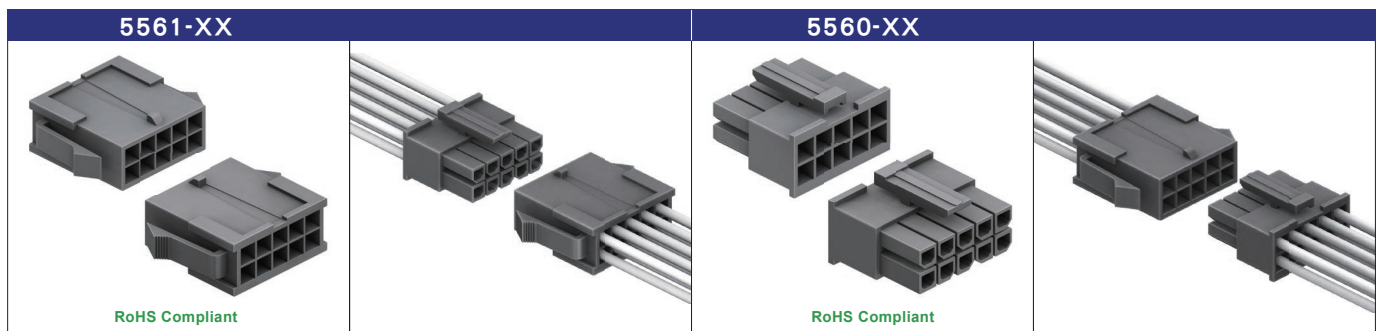


5561A-XX-01
 Blank W/Mounting Ear
 01: W/O Mounting Ear
 No. of Contacts
 Plug Housing Single Row

5561A-XX Series:
 3.00mm Plug Housing Single
 Row Connector.
 Mating Part:
 5560A-XX Series.

5560A-XX
 No. of Contacts
 Socket Housing Single Row

5560A-XX Series:
 3.00mm Socket Housing Single
 Row Connector.
 Mating Part:
 5561A-XX Series.



5561-XX
 No. of Contacts
 Plug Housing
 Double Rows

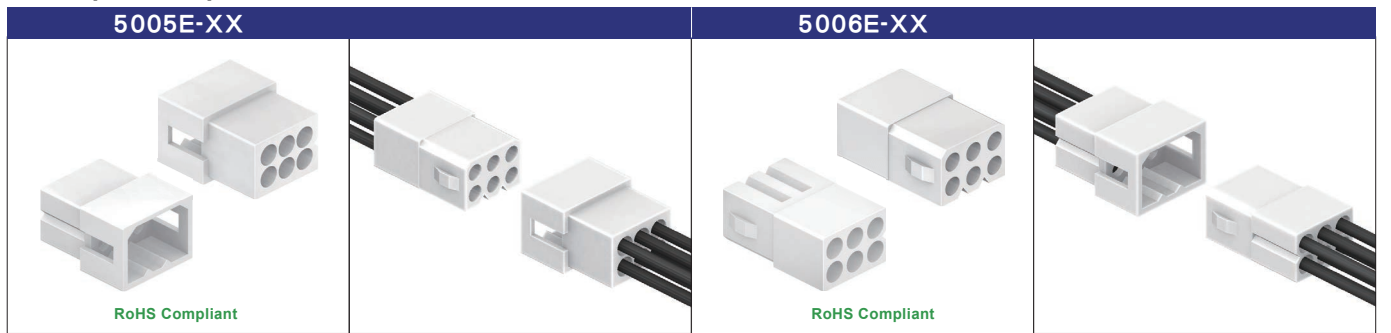
5561-XX Series:
 3.00mm Plug Housing Double
 Rows Connector.
 Mating Part:
 5560-XX Series.

5560-XX
 No. of Contacts
 Socket Housing
 Double Rows

5560-XX Series:
 3.00mm Socket Housing
 Double Rows Connector.
 Mating Part:
 5561-XX Series.

3.68 / 4.20 / 4.50mm Pitch

UNIT : mm

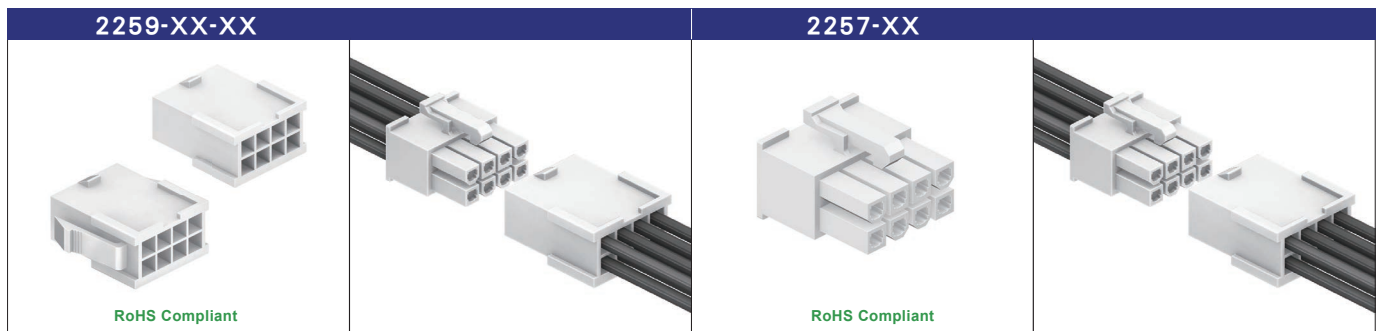


5005E-XX
 No. of Contacts
 E: With Mounting Ear
 Blank: Without Mounting Ear
 Plug Housing

5005-XX Series:
 3.68mm Housing 1.58mm Dia.
 Plug Connector.
 Mating Part:
 5006-XX Series.

5006E-XX
 No. of Contacts
 E: With Mounting Ear
 Blank: Without Mounting Ear
 Socket Housing

5006-XX Series:
 3.68mm Housing 1.58mm Dia.
 Socket Connector.
 Mating Part:
 5005-XX Series.

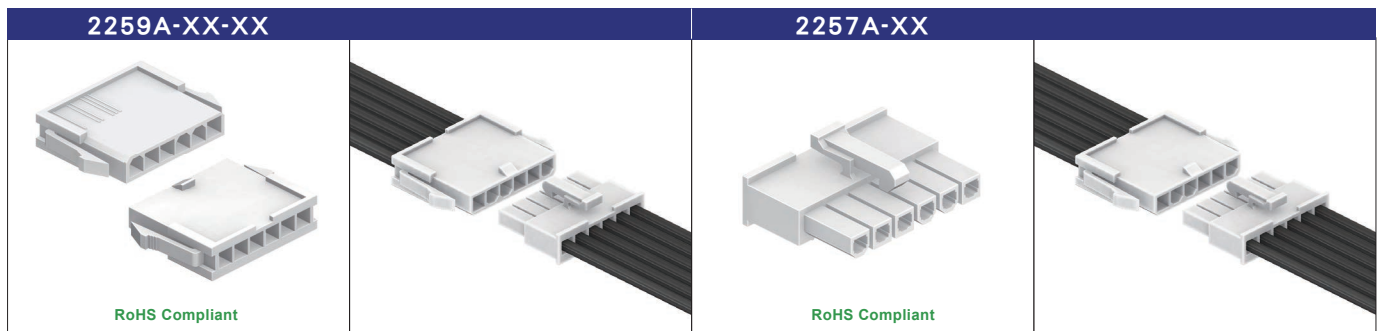


2259-XX-XX
 Blank: With Mounting Ear
 01: Without Mounting Ear
 No. of Contacts
 Plug Housing Double Rows

2259-XX Series:
 4.20mm Plug Housing Double Rows Connector.
 Mating Part:
 2257-XX Series.

2257-XX
 No. of Contacts
 Socket Housing Double Rows

2257-XX Series:
 4.20mm Socket Housing Double Rows Connector.
 Mating Part:
 2259-XX Series.

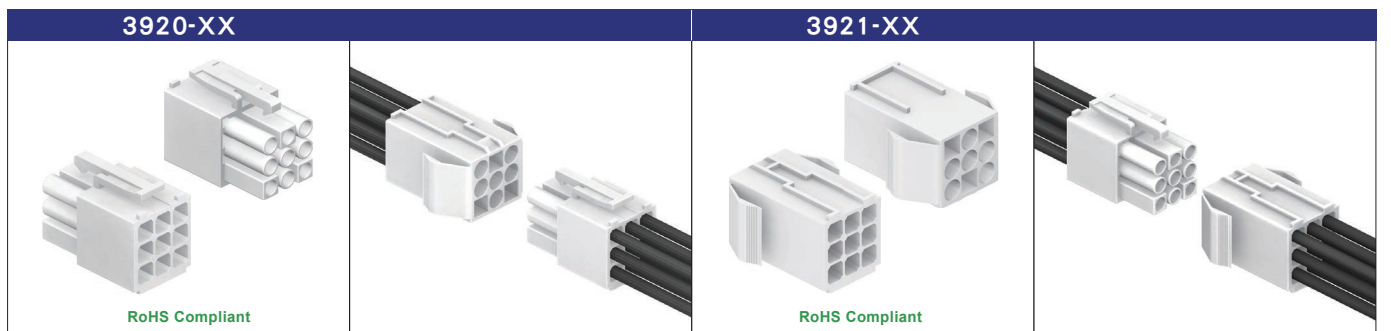


2259A-XX-XX
 Blank: With Mounting Ear
 01: Without Mounting Ear
 No. of Contacts
 Plug Housing Single Row

2259A-XX-XX Series:
 4.20mm Plug Housing Single Row Connector.
 Mating Part:
 2257A-XX Series.

2257A-XX
 No. of Contacts
 Socket Housing Single Row

2257A-XX Series:
 4.20mm Socket Housing Single Row Connector.
 Mating Part:
 2259A-XX Series.



3920-XX
 No. of Contacts
 Socket Housing

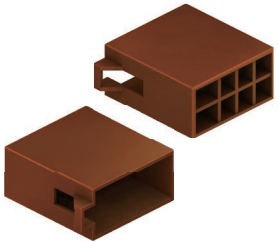
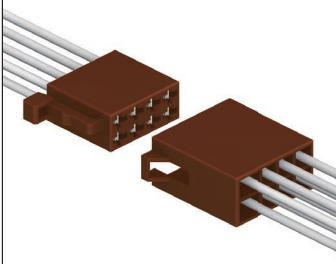
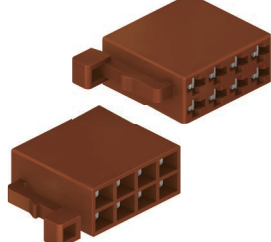
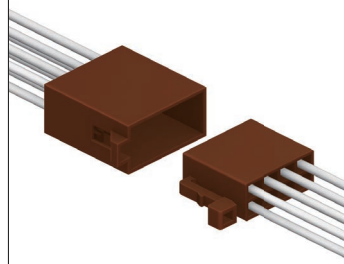
3920-XX Series:
 4.50mm Housing 1.3mm Dia.
 Plug Connector.
 Mating Part:
 3921-XX Series.

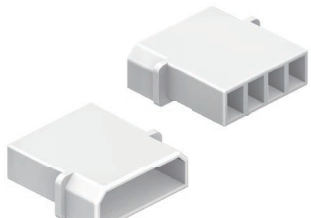
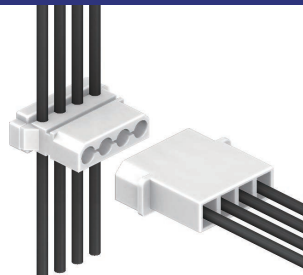


3921-XX
 No. of Contacts
 Plug Housing

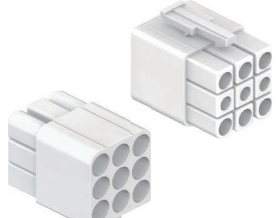
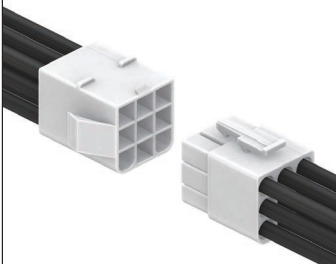
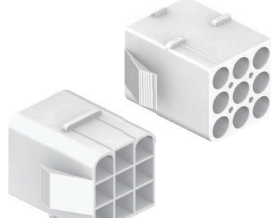
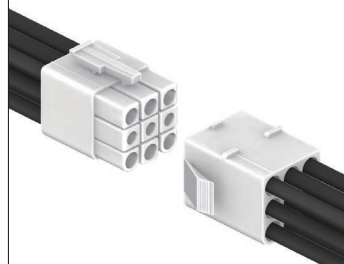
3921-XX Series:
 4.50mm Housing 1.3mm Dia.
 Socket Connector.
 Mating Part:
 3920-XX Series.

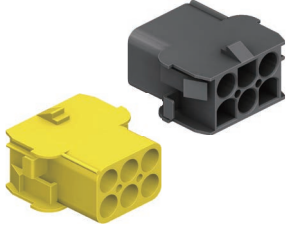
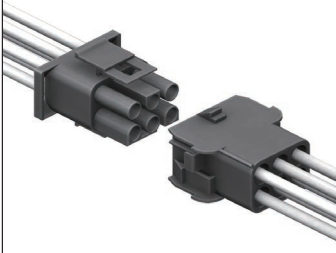
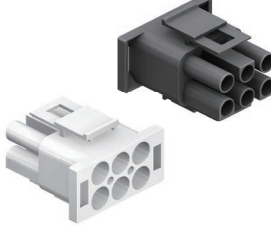
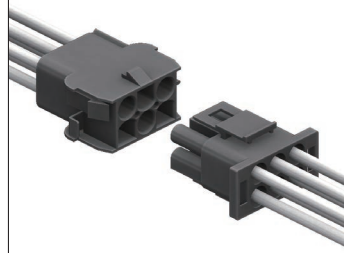
5.00 / 5.08 / 6.00 / 6.20 / 6.35mm Pitch

UNIT : mm

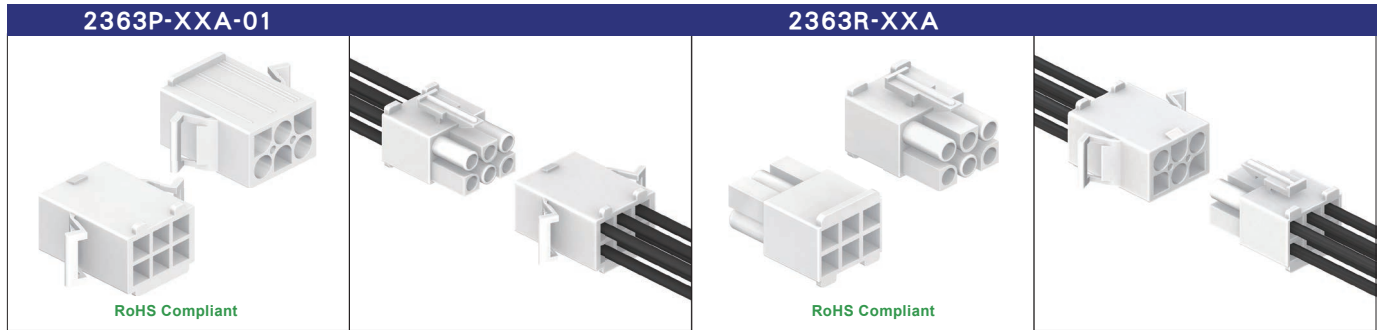
2650P-XX		2650R-XX	
			
RoHS Compliant		RoHS Compliant	
2650P-XX No. of Contacts Plug Housing	2650P-XX Series: 5.00/6.00mm Housing Plug Connector. Mating Part: 2650R-XX Series.	2650R-XX No. of Contacts Receptacle Housing	2650R-XX Series: 5.00/6.00mm Housing Socket Connector. Mating Part: 2650P-XX Series.

8981H-04		8980-04-IDC	
			
RoHS Compliant		RoHS Compliant	
8981H-04 No. of Contacts Housing	8981H-04 Series: 5.08mm Power Plug Housing Single Row Connector. Mating Part: 8980-04-IDC Series.	8980-04-IDC IDC Type No. of Contacts Socket Housing	8980-04-IDC Series: 5.08mm Power Socket Housing Single Row IDC Type Connector. Mating Part: 8981H-04 Series.

9200P-XX		9200RE-XX	
			
RoHS Compliant		RoHS Compliant	
9200P-XX No. of Contacts Plug Housing	9200P-XX Series: 6.20mm Housing 2.00mm Dia. Plug Connector. Mating Part: 9200RE-XX Series.	9200RE-XX No. of Contacts E: With Mounting Ear Blank: Without Mounting Ear Receptacle Housing	9200RE-XX Series: 6.20mm Housing 2.00mm Dia. Socket Connector. Mating Part: 9200P-XX Series.

9635P-XX-XX		9635R-XX-XX	
			
RoHS Compliant		RoHS Compliant	
9635P-XX-XX Blank : White BK: Black, GN : Green YL: Yellow, RD: Red No. of Contacts Plug Housing	9635P-XX Series: 6.35mm Plug Housing Connector. Mating Part: 9635R-XX Series.	9635R-XX-XX Blank : White BK: Black, GN : Green YL: Yellow, RD: Red No. of Contacts Receptacle Housing	9635R-XX Series: 6.35mm Receptacle Housing Connector. Mating Part: 9635P-XX Series.

6.70mm Pitch



2363P-XXA-01

- Blank: With Mounting Ear
- 01: Without Mounting Ear
- A: Type A; B: Type B
- No. of Contacts
- Plug Housing

2363P-XXA(B) Series:

- 6.70mm Plug Housing 2.36mm Dia. A Type Connector.
- 5.03mm Plug Housing 2.36mm Dia. B Type Connector.
- Mating Part: 2363R-XXA(B) Series.

2363R-XXA

- A: Type A; B: Type B
- No. of Contacts
- Receptacle Housing

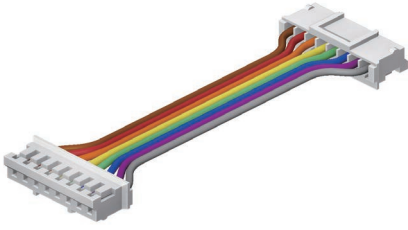
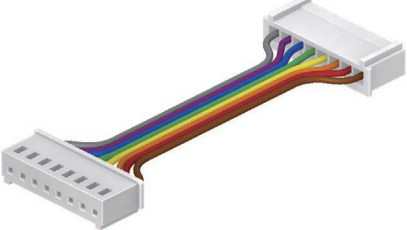
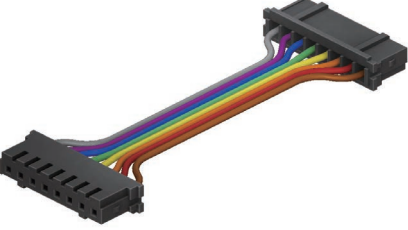
2363R-XXA(B) Series:

- 6.70mm Receptacle Housing 2.36mm Dia. A Type Connector.
- 5.03mm Receptacle Housing 2.36mm Dia. B Type Connector.
- Mating Part: 2363P-XXA(B) Series.

Multi-Color Wire Harness

2.00 / 2.50 / 2.54mm

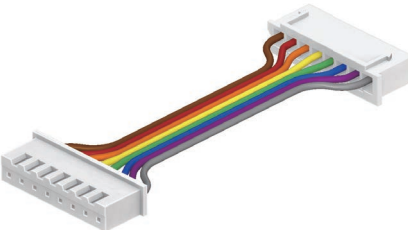
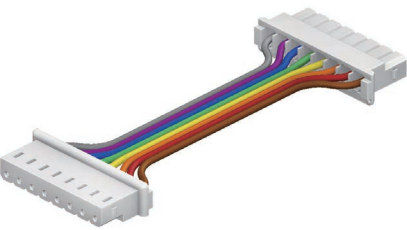

UNIT : mm

FCA-2418HJXXX2-XXX	FCA-2318HBXXX2-XXX	FCA-2318HDXXX2-XXX
 <p data-bbox="293 557 418 580">RoHS Compliant</p>	 <p data-bbox="748 557 873 580">RoHS Compliant</p>	 <p data-bbox="1203 557 1328 580">RoHS Compliant</p>

2.00mm Wire to Board Housing
2.00mm Wire to Board Terminal
1.27mm Multi-Color Flat Ribbon Cable 28 AWG

2.50mm Wire to Board Housing
2.50mm Wire to Board Terminal
1.27mm Multi-Color Flat Ribbon Cable 28 AWG

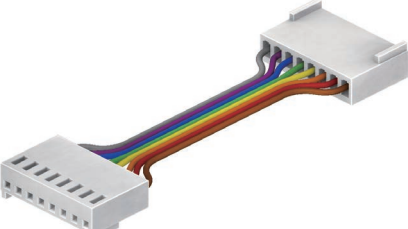
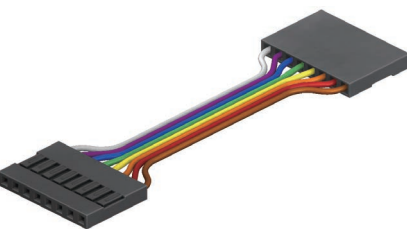
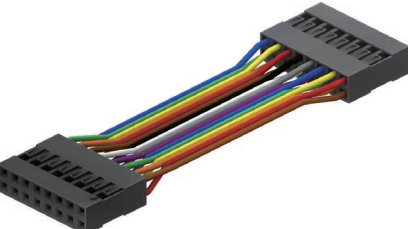
2.50mm Wire to Board Housing
2.50mm Wire to Board Terminal 28~30 AWG
1.27mm Multi-Color Flat Ribbon Cable 28 AWG

FCA-2318HJXXX2-XXX	FCA-2318HMXXX2-XXX	FCA-2318HZXXX2-XXX
 <p data-bbox="293 1014 418 1037">RoHS Compliant</p>	 <p data-bbox="748 1014 873 1037">RoHS Compliant</p>	 <p data-bbox="1203 1014 1328 1037">RoHS Compliant</p>

2.50mm Wire to Board Housing
2.50mm Wire to Board Terminal
1.27mm Multi-Color Flat Ribbon Cable 28 AWG

2.50mm Wire to Board Housing
2.50mm Wire to Board Terminal
1.27mm Multi-Color Flat Ribbon Cable 28 AWG

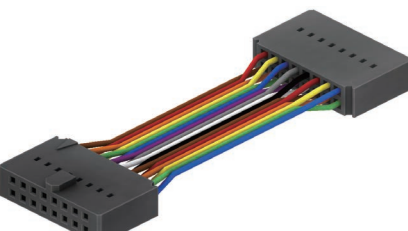
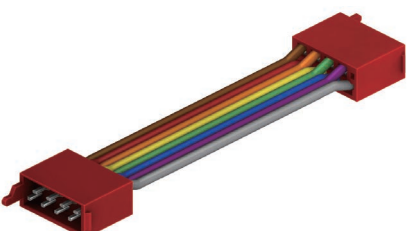
2.50mm Wire to Board Housing
2.50mm Wire to Board Terminal
1.27mm Multi-Color Flat Ribbon Cable 28 AWG

FCA-2218HXXX2-XXX	FCA-2226AXXX2-XXX	FCA-2226BXXX2-XXX
 <p data-bbox="293 1474 418 1496">RoHS Compliant</p>	 <p data-bbox="748 1474 873 1496">RoHS Compliant</p>	 <p data-bbox="1203 1474 1328 1496">RoHS Compliant</p>

2.54mm Wire to Board Housing
2.54mm Wire to Board Terminal
1.27mm Multi-Color Flat Ribbon Cable 28 AWG

2.54mm Wire to Board Housing
2.54mm Wire to Board Terminal
1.27mm Multi-Color Flat Ribbon Cable 28 AWG

2.54mm Wire to Board Housing Double Rows
2.54mm Wire to Board Terminal
1.27mm Multi-Color Flat Ribbon Cable 28 AWG

FCA-2226BHXXX2-XXX	FCA-3750GXXX2-XXX	FCA-4409HPXXX2-XXX
 <p data-bbox="293 1930 418 1953">RoHS Compliant</p>	 <p data-bbox="748 1930 873 1953">RoHS Compliant</p>	 <p data-bbox="1203 1930 1328 1953">RoHS Compliant</p>

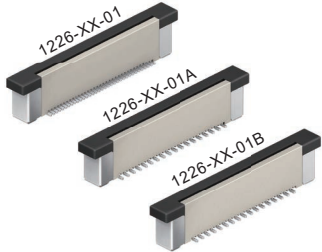
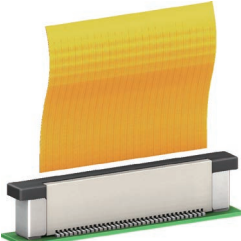

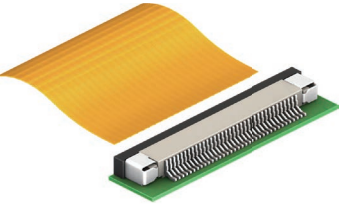
2.54mm Wire to Board Housing Double Rows
2.54mm Wire to Board Terminal
1.27mm Multi-Color Flat Ribbon Cable 28 AWG

2.54mm Wire to Board Housing
2.54mm Wire to Board Terminal Tin Plated
1.27mm Multi-Color Flat Ribbon Cable 28 AWG

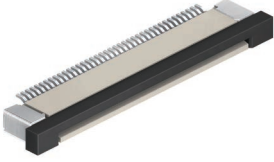
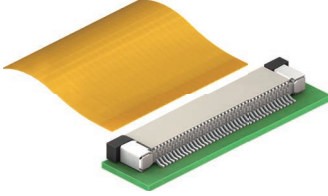

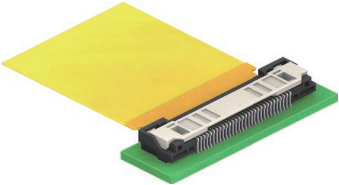
2.54mm Wire to Board Plug Housing
2.54mm Wire to Board Terminal 24~28 AWG
1.27mm Multi-Color Flat Ribbon Cable 28 AWG

0.50 / 1.00mm Pitch




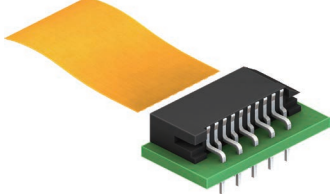
UNIT : mm

1226-XX-01X		1226-XX-02	
 <p>RoHS Compliant</p>	 <p>Mating:FPC/ FFC Series.</p>	 <p>RoHS Compliant</p>	 <p>Mating:FPC/ FFC Series.</p>

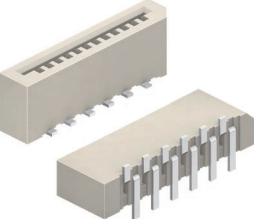

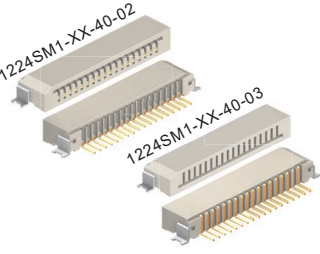
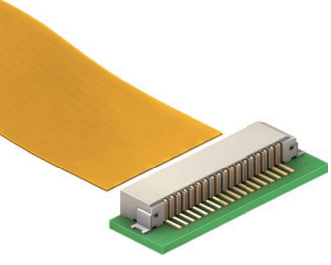
<p>1226-XX-01X</p> <ul style="list-style-type: none"> 01: Vertical Contact Type 01A: Vertical Contact A Type 01B: Vertical Contact B Type <p>No. of Contacts</p>	<p>1226-XX-01X Series: 0.50mm FPC/ FFC Connector ZIF SMD Top Entry Type(H=4.4). Mating Part: FPC/ FFC Series.</p>	<p>1226-XX-02</p> <ul style="list-style-type: none"> 02: Bottom Contact Type <p>No. of Contacts</p>	<p>1226-XX-02 Series: 0.50mm FPC/ FFC Connector ZIF SMD Side Entry Top & Bottom Contact(H=2.0). Mating Part: FPC/ FFC Series.</p>
---	---	--	---

1226-XX-03		1226-XX-10-H28-TR	
 <p>RoHS Compliant</p>	 <p>Mating:FPC/ FFC Series.</p>	 <p>RoHS Compliant</p>	 <p>Mating:FPC/ FFC Series.</p>

<p>1226-XX-03</p> <ul style="list-style-type: none"> 03: Top Contact Type <p>No. of Contacts</p>	<p>1226-XX-03 Series: 0.50mm FPC/ FFC Connector ZIF SMD Side Entry Top & Bottom Contact(H=2.0). Mating Part: FPC/ FFC Series.</p>	<p>1226-XX-10-H28-TR</p> <ul style="list-style-type: none"> Tape & Reel Plastic Height=2.8mm <p>No. of Contacts</p>	<p>1226-XX-10-H28-TR Series: 0.50mm FPC/ FFC Connector Double Contacts Type. Mating Part: FPC/ FFC Series.</p>
---	---	---	--

1224S1-XXX		1224R1-XXX	
 <p>RoHS Compliant</p>	 <p>Mating: FPC/ FFC Series.</p>	 <p>RoHS Compliant</p>	 <p>Mating: FPC/ FFC Series.</p>

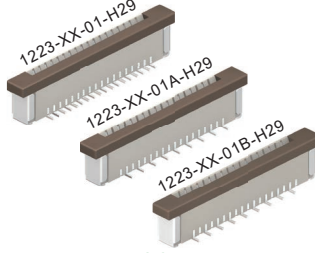
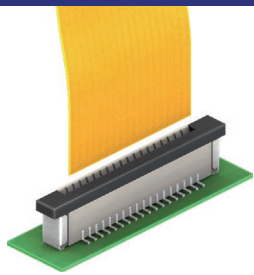
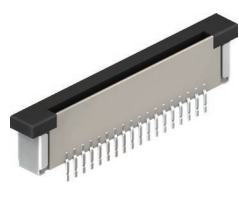
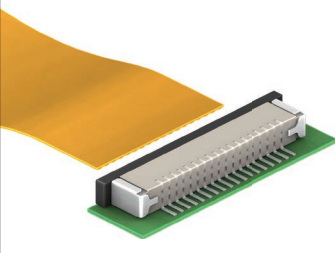
<p>1224S1-XXX</p> <ul style="list-style-type: none"> A: Standard PCB Layout B: Special PCB Layout <p>No. of Contacts S1: Straight Type</p>	<p>1224S1-XXX Series: 1.00mm FPC/ FFC Connector NON ZIF Dip Single Contact Straight Type. Mating Part: FPC/ FFC Series.</p>	<p>1224R1-XXX</p> <ul style="list-style-type: none"> A: Standard PCB Layout B: Special PCB Layout <p>No. of Contacts R1: Right Angle Type</p>	<p>1224R1-XXX Series: 1.00mm FPC/ FFC Connector NON ZIF Dip Single Contact Right Angle Type. Mating Part: FPC/ FFC Series.</p>
--	---	---	--

1224SM1-XX-30		1224SM1-XX-40-XX	
 <p>RoHS Compliant</p>	 <p>Mating: FPC/ FFC Series.</p>	 <p>RoHS Compliant</p>	 <p>Mating: FPC/ FFC Series.</p>

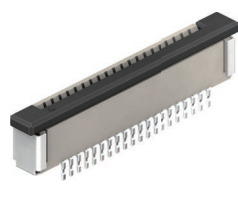
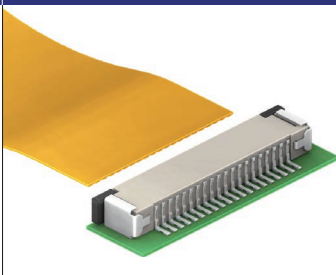
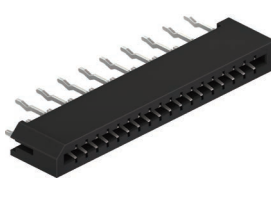
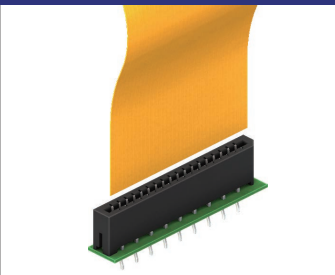
<p>1224SM1-XX-30</p> <ul style="list-style-type: none"> Vertical Contact <p>No. of Contacts SMD Type</p>	<p>1224SM1-XXX-30 Series: 1.00mm FPC/ FFC Connector NON ZIF SMD Vertical Contact Single Contact Type. Mating Part: 1224SM1-XXX-30 Mating FPC/ FFC Series.</p>	<p>1224SM1-XX-40-XX</p> <ul style="list-style-type: none"> 02:Bottom Type 03:Top Type 40:Standard Type 40R:Reverse Type <p>No. of Contacts SMD Type</p>	<p>1224SM1-XX-40 Series: 1.00mm FPC/ FFC Connector NON ZIF SMD Horizontal Contact Single Contact Type. Mating Part: FPC/ FFC Series.</p>
---	---	---	--

1.00 / 1.25mm Pitch

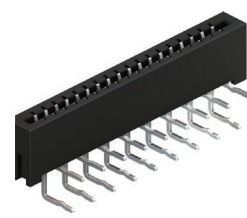
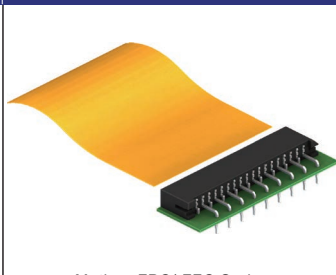
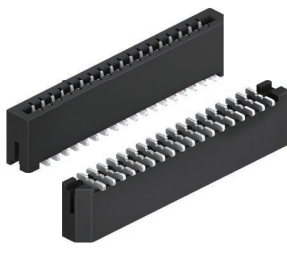
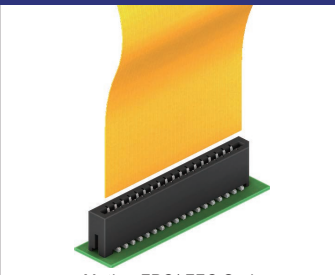
UNIT : mm

<p>1223-XX-01X-H29</p>  <p>RoHS Compliant</p>	 <p>Mating: FPC/ FFC Series.</p>	<p>1223-XX-02-H29</p>  <p>RoHS Compliant</p>	 <p>Mating: FPC/ FFC Series.</p>
---	---	---	---

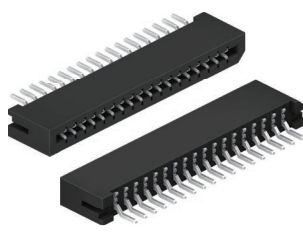

<p>1223-XX-01X-H29</p> <ul style="list-style-type: none"> Height: 2.90mm 01: Vertical Contact Type 01A: Vertical Contact A Type (H=5.95). 01B: Vertical Contact B Type No. of Contacts 	<p>1223-XX-01X Series: 1.00mm FPC/ FFC Connector ZIF SMD Top Entry Type (H=5.95). Mating Part: FPC/ FFC Series.</p>	<p>1223-XX-02-H29</p> <ul style="list-style-type: none"> Height: 2.90mm 02: Bottom Contact Type No. of Contacts 	<p>1223-XX-02-H29 Series: 1.00mm FPC/ FFC SMD Side Entry Top & Bottom Contact(H=2.95). Mating Part: FPC/ FFC Series.</p>
---	---	--	--

<p>1223-XX-03-H29</p>  <p>RoHS Compliant</p>	 <p>Mating: FPC/ FFC Series.</p>	<p>1227S-XXX</p>  <p>RoHS Compliant</p>	 <p>Mating: FPC/ FFC Series.</p>
--	--	--	--

<p>1223-XX-03-H29</p> <ul style="list-style-type: none"> Height: 2.90mm 03: Top Contact Type No. of Contacts 	<p>1223-XX-03-H29 Series: 1.00mm FPC/ FFC SMD Side Entry Top & Bottom Contact(H=2.95). Mating Part: FPC/ FFC Series.</p>	<p>1227S-XXX</p> <ul style="list-style-type: none"> A: Standard PCB Layout B: Special PCB Layout No. of Contacts S: Straight Type 	<p>1227S-XXX Series: 1.25mm FPC/ FFC Connector NON ZIF Dip Double Contacts Straight Type. Mating Part: FPC/ FFC Series.</p>
---	--	---	---

<p>1227R-XXX</p>  <p>RoHS Compliant</p>	 <p>Mating: FPC/ FFC Series.</p>	<p>1227SM-XX-30</p>  <p>RoHS Compliant</p>	 <p>Mating: FPC/ FFC Series.</p>
---	---	---	---

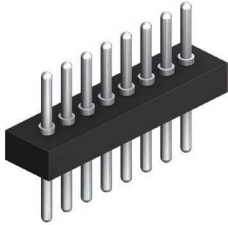
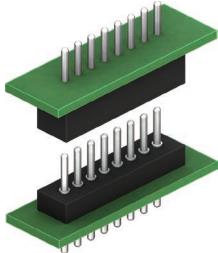
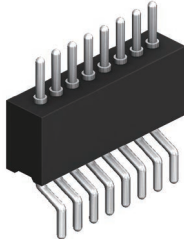
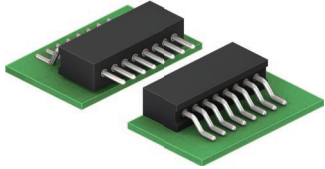
<p>1227R-XXX</p> <ul style="list-style-type: none"> A: Standard PCB Layout B: Special PCB Layout No. of Contacts R: Right Angle Type 	<p>1227R-XXX Series: 1.25mm FPC/ FFC Connector NON ZIF Dip Double Contacts Right Angle Type. Mating Part: FPC/ FFC Series.</p>	<p>1227SM-XX-30</p> <ul style="list-style-type: none"> 30: Vertical Contact No. of Contacts SMD Type 	<p>1227SM-XX-30 Series: 1.25mm FPC/ FFC Connector NON ZIF SMD Vertical Double Contacts Type. Mating Part: FPC/ FFC Series.</p>
--	--	---	--

<p>1227SM-XX-40</p>  <p>RoHS Compliant</p>	 <p>Mating: FPC/ FFC Series.</p>
--	---

<p>1227SM-XX-40</p> <ul style="list-style-type: none"> 40: Horizontal Contact No. of Contacts SMD Type 	<p>1227SM-XX-40 Series: 1.25mm FPC/ FFC Connector NON ZIF SMD Horizontal Double Contacts Type. Mating Part: FPC/ FFC Series.</p>
---	--

1.00 / 1.27mm Pitch

UNIT : mm

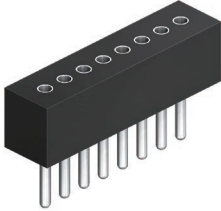
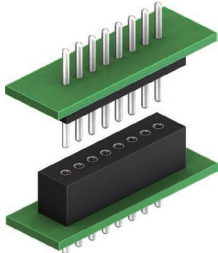
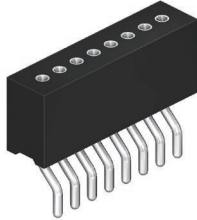
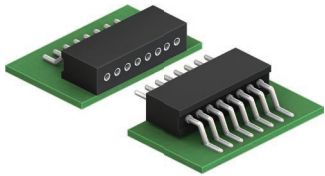
6860S-XXX		6860R-XXX-SM	
			
RoHS Compliant		RoHS Compliant	

6860S-XXX
 T: Tin Plated
 G: Gold Plated
 No. of Contacts
 Straight Type

6860S-XXX Series:
 1.00mm Pin Header Single Row
 Straight Dip Type.
 Mating Part:
 6861S(R) Series.

6860R-XXX-SM
 SM: SMD Type
 Blank: Dip Type
 T: Tin Plated
 G: Gold Plated
 No. of Contacts
 Right Angle Type

6860R-XXX-SM Series:
 1.00mm Pin Header Single Row
 Parallel Mount SMD Type.
 Mating Part:
 6861S(R) Series.

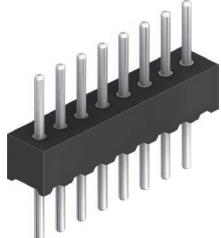
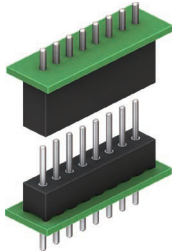
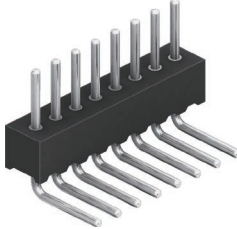
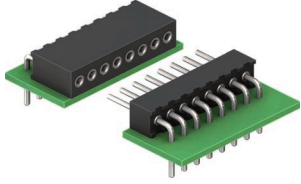
6861S-XX		6861R-XX-SM	
			
RoHS Compliant		RoHS Compliant	

6861S-XX
 No. of Contacts
 Straight Type

6861S-XX Series:
 1.00mm PCB Socket Single Row
 Straight Dip Type.
 Mating Part:
 6860S(R) Series.

6861R-XX-SM
 SM: SMD Type
 Blank: Dip Type
 No. of Contacts
 Right Angle Type

6861R-XX-SM Series:
 1.00mm PCB Socket Single Row
 Parallel Mount SMD Type.
 Mating Part:
 6860S(R) Series.

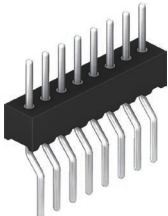
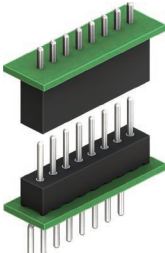
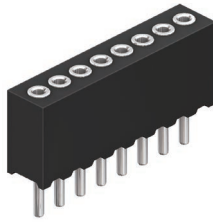
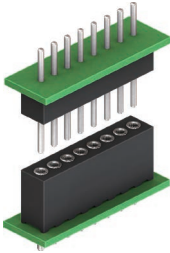
6850S-XXX		6850R-XXX	
			
RoHS Compliant		RoHS Compliant	

6850S-XXX
 T: Tin Plated
 G: Gold Plated
 No. of Contacts
 Straight Type

6850S-XXX Series:
 1.27mm Pin Header Single Row
 Straight Dip Type.
 Mating Part:
 6851S(R) Series.

6850R-XXX
 T: Tin Plated
 G: Gold Plated
 No. of Contacts
 Right Angle Type

6850R-XXX Series:
 1.27mm Pin Header Single Row
 Right Angle Dip Type.
 Mating Part:
 6851S(R) Series.

6850R-XXX-SM		6851S-XX	
			
RoHS Compliant		RoHS Compliant	

6850R-XXX-SM
 SM: SMD Type
 T: Tin Plated
 G: Gold Plated
 No. of Contacts
 Right Angle Type

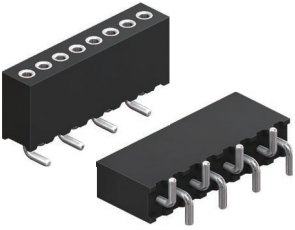
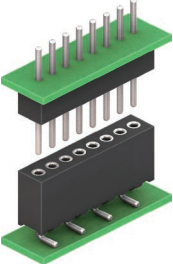
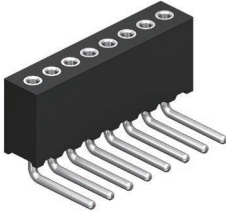
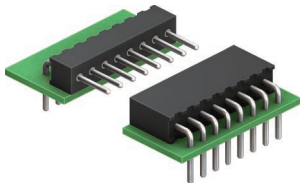
6850R-XXX-SM Series:
 1.27mm Pin Header Single Row
 Parallel Mount SMD Type.
 Mating Part:
 6851S(R) Series.

6851S-XX
 No. of Contacts
 Straight Type

6851S-XX Series:
 1.27mm PCB Socket Single Row
 Straight Dip Type.
 Mating Part:
 6850S(R) Series.

1.27 / 1.778 / 2.00mm Pitch

UNIT : mm

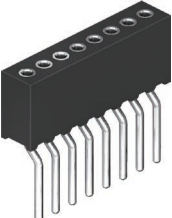
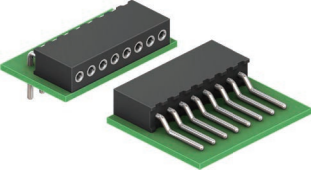
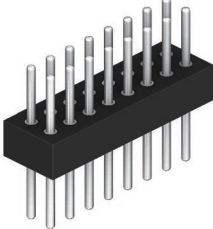
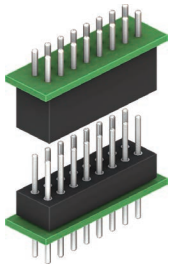
6851SM-XX		6851R-XX	
			
RoHS Compliant		RoHS Compliant	

6851SM-XX
 No. of Contacts
 SMD Type

6851SM-XX Series:
 1.27mm PCB Socket Single Row
 SMD Type.
 Mating Part:
 6851S(R) Series.

6851R-XX
 No. of Contacts
 Right Angle Type

6851R-XX Series:
 1.27mm PCB Socket Single Row
 Right Angle Dip Type.
 Mating Part:
 6850S(R) Series.

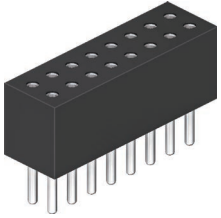
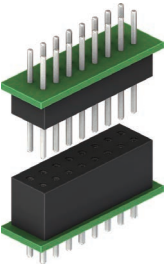
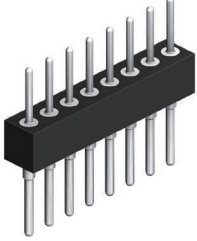
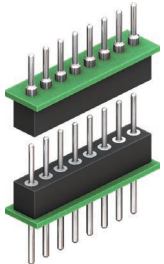
6851R-XX-SM		6852S1-XXX	
			
RoHS Compliant		RoHS Compliant	

6851R-XX-SM
 SM: SMD Type
 No. of Contacts
 Right Angle Type

6851R-XX-SM Series:
 1.27mm PCB Socket Single Row
 Parallel Mount SMD Type.
 Mating Part:
 6851S(R) Series.

6852S1-XXX
 T: Tin Plated
 G: Gold Plated
 No. of Contacts
 Straight Type

6852S1-XXX Series:
 1.27mm Pin Header Double Rows
 Straight Dip Type.
 Mating Part:
 6853S1 Series.

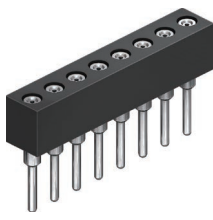
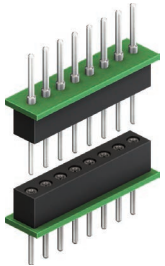
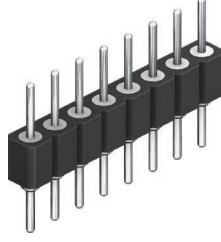
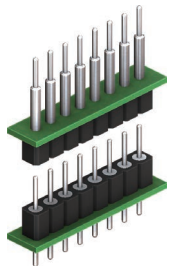
6853S1-XX		1778P-XXX	
			
RoHS Compliant		RoHS Compliant	

6853S1-XX
 No. of Contacts
 Straight Type

6853S1-XX Series:
 1.27mm PCB Socket Double
 Rows Straight Dip Type.
 Mating Part:
 6852S1 Series.

1778P-XXX
 T: Tin Plated
 G: Gold Plated
 No. of Contacts
 Pin Header

1778P-XXX Series:
 1.778mm Pin Header Single
 Row Straight Dip Type.
 Mating Part:
 1778S Series.

1778S-XX		6830S-XXX	
			
RoHS Compliant		RoHS Compliant	

1778S-XX
 No. of Contacts
 Socket Type

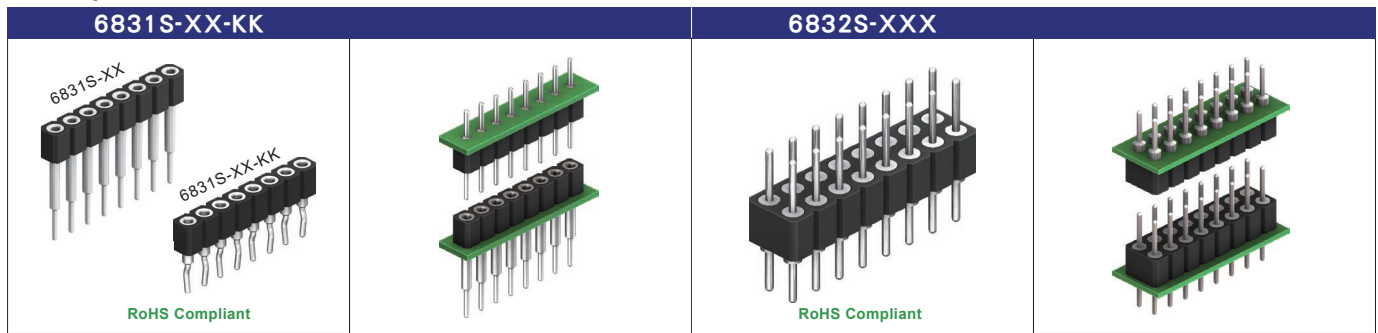
1778S-XX Series:
 1.778mm PCB Socket Single
 Row Straight Dip Type.
 Mating Part:
 1778P Series.

6830S-XXX
 T: Tin Plated
 G: Gold Plated
 No. of Contacts
 Straight Type

6830S-XXX Series:
 2.00mm Pin Header Single Row
 Straight Dip Type.
 Mating Part:
 6831S Series.

2.00 / 2.54mm Pitch

UNIT : mm

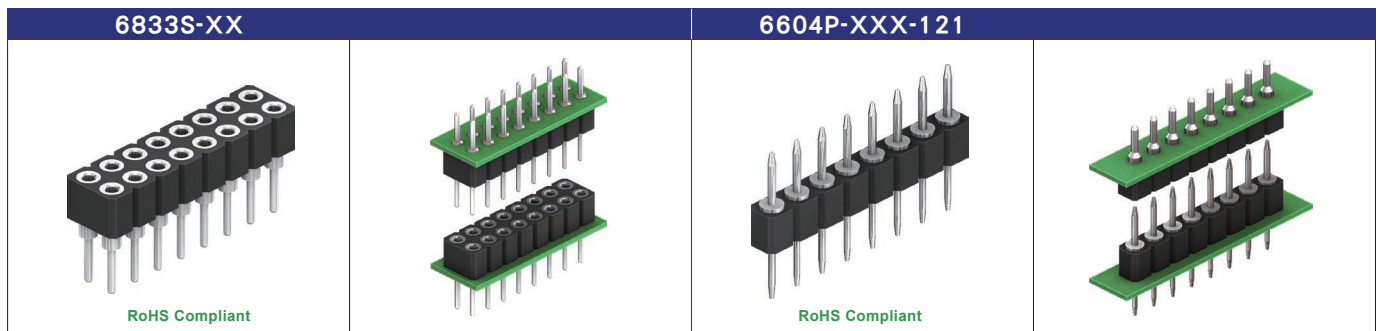


6831S-XX-KK
 KK: With Kink
 Blank: Standard
 No. of Contacts
 Straight Type

6831S-XX Series:
 2.00mm PCB Socket Single Row
 Straight Dip Type.
 Mating Part:
 6830S Series.

6832S-XXX
 T: Tin Plated
 G: Gold Plated
 No. of Contacts
 Straight Type

6832S-XXX Series:
 2.00mm Pin Header Double Rows
 Straight Dip Type.
 Mating Part:
 6833S Series.

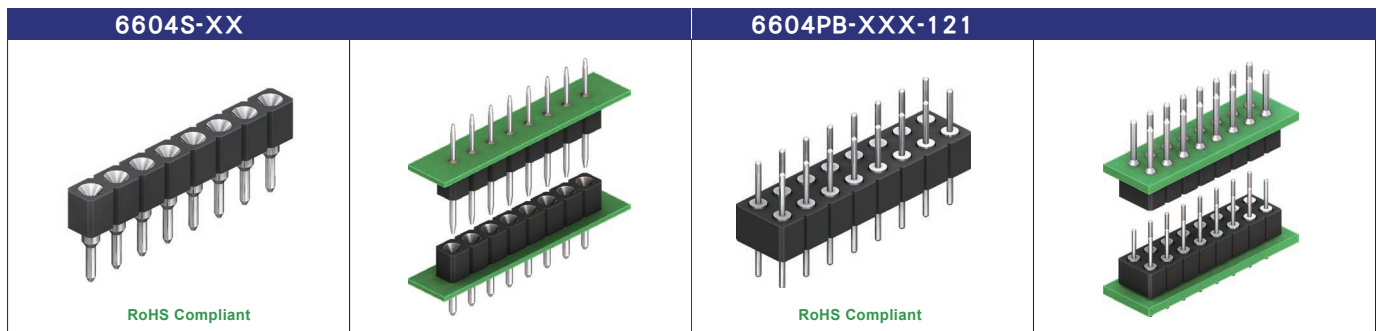


6833S-XX
 No. of Contacts
 Straight Type

6833S-XX Series:
 2.00mm PCB Socket Double Rows
 Straight Dip Type.
 Mating Part:
 6832S Series.

6604P-XXX-121
 Pin Length
 T: Tin Plated
 G: Gold Plated
 No. of Contacts
 Plug

6604P-XXX-121 Series:
 2.54mm PCB Socket Single Row
 Plug Straight Dip Type.
 Mating Part:
 6604S Series.

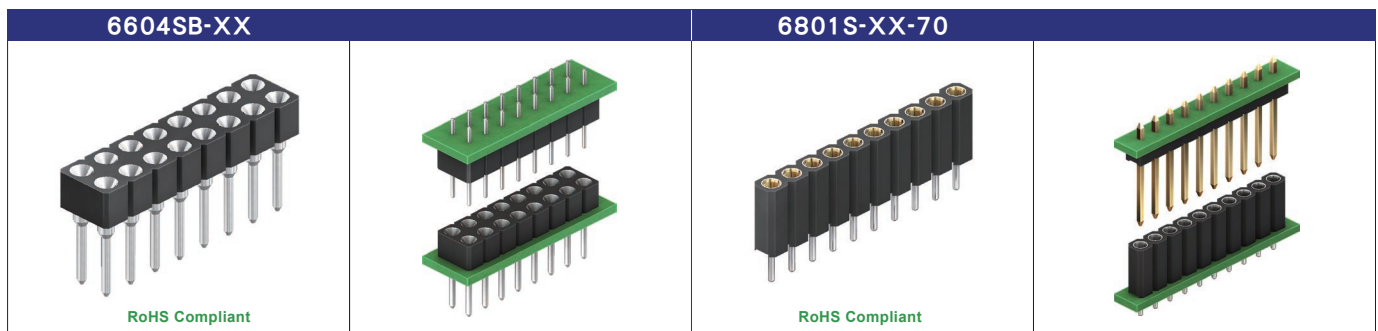


6604S-XX
 No. of Contacts
 Straight Type

6604S-XX Series:
 2.54mm PCB Socket Single Row
 Plug Straight Dip Type.
 Mating Part:
 6604P Series.

6604PB-XXX-121
 Pin Length
 T: Tin Plated
 G: Gold Plated
 No. of Contacts
 Plug&Double Rows

6604PB-XXX-121 Series:
 2.54mm Pin Header Double Rows
 Straight Dip Type.
 Mating Part:
 6604SB Series.



6604SB-XX
 No. of Contacts
 Socket & Double
 Rows

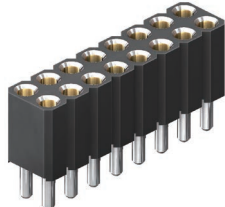
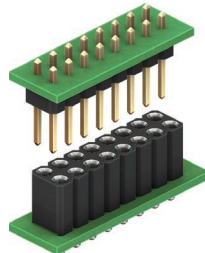
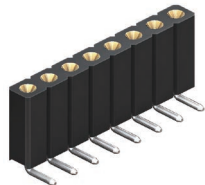
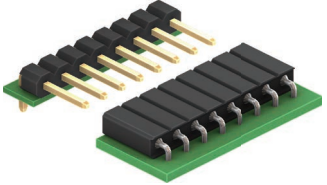
6604SB-XX Series:
 2.54mm PCB Socket Double Rows
 Straight Dip Type.
 Mating Part:
 6604PB Series.

6801S-XX-70
 Insulator Height
 70=7.00mm
 80=8.00mm
 No. of Contacts
 Straight Type

6801S-XX-70 Series:
 2.54mm PCB Socket Single Row
 Straight Dip Type.
 Mating Part:
 2211S Series.

1.778 / 2.54mm Pitch

UNIT : mm

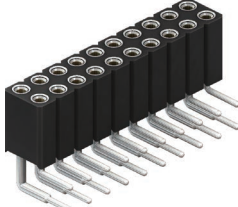
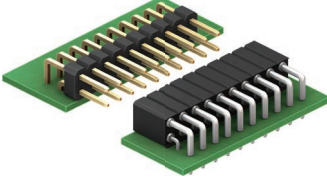
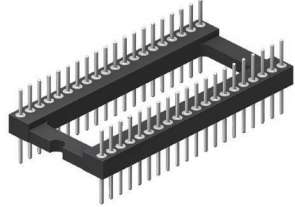
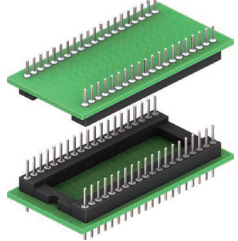
6803S-XX-70		7801R-XX-70	
			
RoHS Compliant	RoHS Compliant	RoHS Compliant	

6803S-XX-70
 Insulator Height
 70=7.00mm
 No. of Contacts
 (4 To 80 Ways)
 Straight Type

6803S-XX-70 Series:
 2.54mm PCB Socket Double
 Rows Straight Dip Type.
 Mating Part:
 2213S Series.

7801R-XX-70
 Insulator Height
 70=7.00mm
 No. of Contacts
 Right Angle Type

7801R-XX-70 Series:
 2.54mm PCB Socket Single Row
 Right Angle Dip Type.
 Mating Part:
 2211R Series.

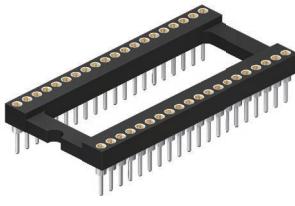
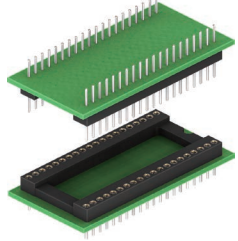

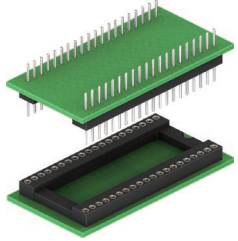
7803R-XX-70		1778P-XXX-XX	
			
RoHS Compliant	RoHS Compliant	RoHS Compliant	

7803R-XX-70
 Insulator Height
 70=7.00mm
 No. of Contacts
 (4 To 80 Ways)
 Right Angle Type

7803R-XX-70 Series:
 2.54mm PCB Socket Double
 Rows Right Angle Dip Type.
 Mating Part:
 2213R Series.

1778P-XXX-XX
 Row to Row Space
 03:7.62/ 04:10.16
 06:15.24/ 075:19.05mm
 T: Tin Plated
 G: Gold Plated
 No. of Contacts
 Machine Pin Header

1778P-XXX-XX Series:
 1.778mm Machine Pin Header.
 Mating Part:
 1778MC Series.

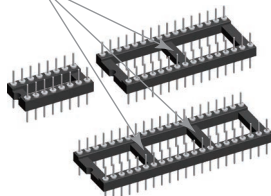
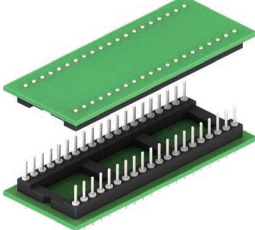
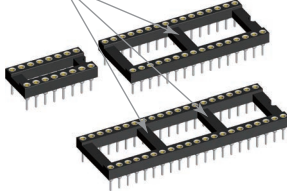
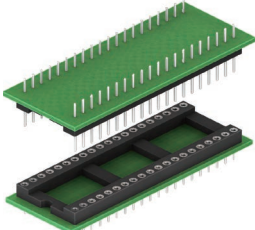
1778MC-XX-XX		1778MC-XX-XX-114	
			
RoHS Compliant	RoHS Compliant	RoHS Compliant	

1778MC-XX-XX
 Row to Row Space
 03:7.62/ 04:10.16
 06:15.24/ 075:19.05mm
 No. of Contacts
 IC Socket Machine Pin

1778MC-XX-XX Series:
 1.778mm IC Socket Machine Pin.
 Mating Part:
 1778P-XXX-XX Series.

1778MC-XX-XX-114
 SMD Type
 Row to Row Space:
 03: 7.62/ 04: 10.16
 06: 15.24/ 075: 19.05mm
 No. of Contacts
 Machine Pin

1778MC-XX-XX-114 Series:
 1.778mm IC Socket SMD Type
 Machine Pin.
 Mating Part:
 1778P-XXX-XX Series.

2227P-XXX-XX		2227MC-XX-XX	
(18 To 64 Ways) With Middle Bar All Other Positions Without Middle Bar 		(18 To 64 Ways) With Middle Bar All Other Positions Without Middle Bar 	
RoHS Compliant	RoHS Compliant	RoHS Compliant	

2227P-XXX-XX
 Row to Row Space
 03:7.62/ 06:15.24mm
 T: Tin Plated
 G: Gold Plated
 No. of Contacts
 Machine Pin Header

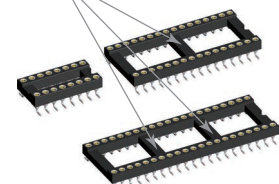
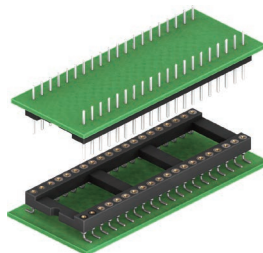
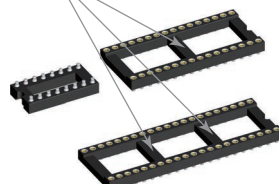
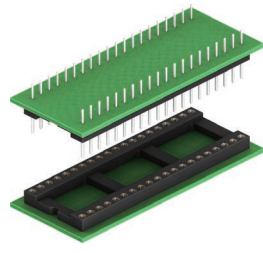
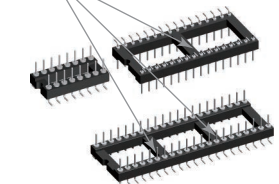
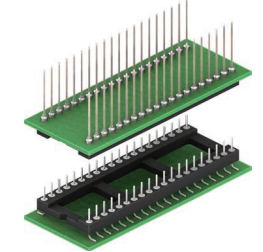
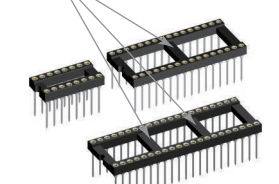
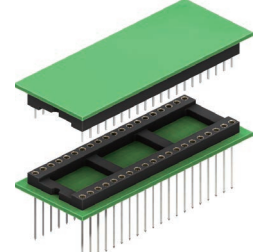
2227P-XXX-XX Series:
 2.54mm Machine Pin Header.
 Mating Part:
 2227MC Series.

2227MC-XX-XX
 Row to Row Space
 03: 7.62/ 06: 15.24mm
 No. of Contacts
 IC Socket Machine Pin

2227MC-XX-XX Series:
 2.54mm IC Socket Machine Pin.
 Mating Part:
 2227P-XXX-XX,
 2227MC-XXX-XX-150 Series.

2.54mm Pitch

UNIT : mm


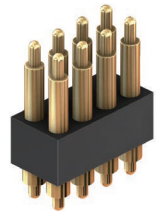
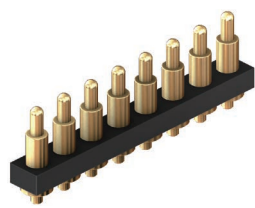
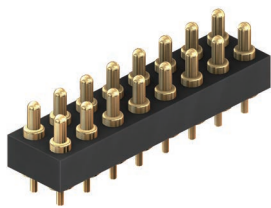
2227MC-XX-XX-110		2227MC-XX-XX-114	
<p>(18 To 64 Ways) With Middle Bar All Other Positions Without Middle Bar</p>  <p>RoHS Compliant</p>		<p>(18 To 64 Ways) With Middle Bar All Other Positions Without Middle Bar</p>  <p>RoHS Compliant</p>	
<p>2227MC-XX-XX-110</p> <ul style="list-style-type: none"> └ SMD Type └ Row to Row Space: 03: 7.62/ 06: 15.24mm └ No. of Contacts └ Machine Pin 	<p>2227MC-XX-XX-110 Series: 2.54mm IC Socket SMD Type Machine Pin. Mating Part: 2227P-XXX-XX, 2227MC-XXX-XX-150 Series.</p>	<p>2227MC-XX-XX-114</p> <ul style="list-style-type: none"> └ SMD Type └ Row to Row Space: 03: 7.62/ 06: 15.24mm └ No. of Contacts └ Machine Pin 	<p>2227MC-XX-XX-114 Series: 2.54mm IC Socket SMD Type Machine Pin. Mating Part: 2227P-XXX-XX, 2227MC-XXX-XX-150 Series.</p>
2227MC-XXX-XX-150		2227MC-XXWR-XX	
<p>(18 To 64 Ways) With Middle Bar All Other Positions Without Middle Bar</p>  <p>RoHS Compliant</p>		<p>(18 To 64 Ways) With Middle Bar All Other Positions Without Middle Bar</p>  <p>RoHS Compliant</p>	
<p>2227MC-XXX-XX-150</p> <ul style="list-style-type: none"> └ SMD Type └ Row to Row Space: 03: 7.62/ 06: 15.24mm └ T: Tin Plated └ G: Gold Plated └ No. of Contacts └ Machine Pin 	<p>2227MC-XXX-XX-150 Series: 2.54mm Machine Pin Header SMD Type. Mating Part: 2227MC Series.</p>	<p>2227MC-XXWR-XX</p> <ul style="list-style-type: none"> └ Row to Row Space: 03: 7.62/ 06: 15.24mm └ Wire Wrap └ No. of Contacts └ Machine Pin 	<p>2227MC-XXWR-XX Series: 2.54mm IC Socket Straight Type Machine Pin With Wire Wrap Type. Mating Part: 2227P-XXX-XX, 2227MC-XXX-XX-150 Series.</p>

Double Springs / Through Hole / SMT / Solder Type

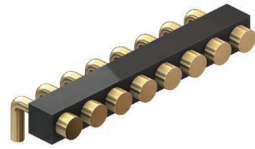
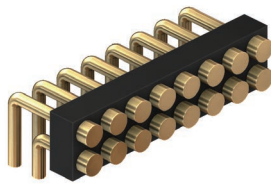
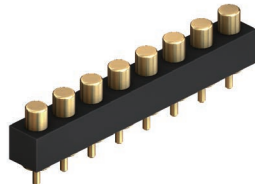
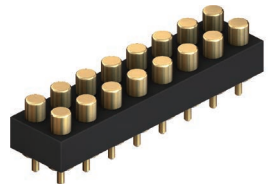
UNIT : mm

6901G-DS-XXXX	6901G-TH-XXXX	6901G-SM-XXXX	6901G-SD-XXXX
			
RoHS Compliant	RoHS Compliant	RoHS Compliant	RoHS Compliant

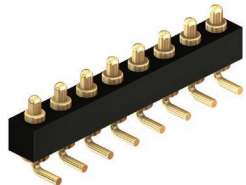
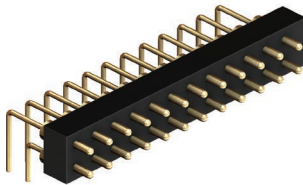
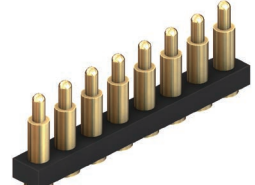
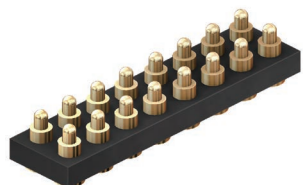
6901G-DS-XXXX	Special OD & Length Double Spring	6901G-TH-XXXX	Special OD & Length Through Hole	6901G-SM-XXXX	Special OD & Length SMT Type	6901G-SD-XXXX	Special OD & Length Solder Type
---------------	--------------------------------------	---------------	-------------------------------------	---------------	---------------------------------	---------------	------------------------------------

6901DS-XXX-XXG-XXXX	6903DS-XXX-XXG-XXXX	6901S-XXX-XXG-XXXX	6903S-XXX-XXG-XXXX
			
RoHS Compliant	RoHS Compliant	RoHS Compliant	RoHS Compliant

6901DS-XXX-XXG-XXXX	Special Length No. of Contacts Pitch Double Spring Plug Single Row	6903DS-XXX-XXG-XXXX	Special Length No. of Contacts Pitch Double Spring Plug Double Rows	6901S-XXX-XXG-XXXX	Special Length No. of Contacts Pitch Straight Type Plug Single Row	6903S-XXX-XXG-XXXX	Special Length No. of Contacts Pitch Straight Type Plug Double Rows
---------------------	---	---------------------	--	--------------------	---	--------------------	--

6902R-XXX-XXG-XXXX	6904R-XXX-XXG-XXXX	6902S-XXX-XXG-XXXX	6904S-XXX-XXG-XXXX
			
RoHS Compliant	RoHS Compliant	RoHS Compliant	RoHS Compliant

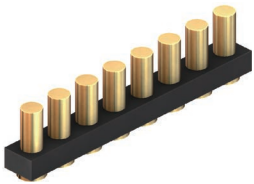
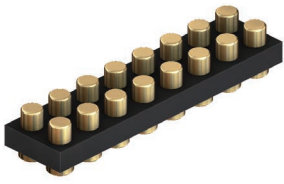

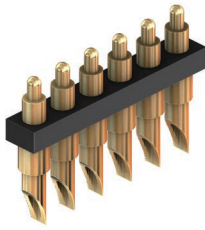
6902R-XXX-XXG-XXXX	Special Length No. of Contacts Pitch R/A Type Socket Single Row	6904R-XXX-XXG-XXXX	Special Length No. of Contacts Pitch R/A Type Socket Double Rows	6902S-XXX-XXG-XXXX	Special Length No. of Contacts Pitch Straight Type Socket Single Row	6904S-XXX-XXG-XXXX	Special Length No. of Contacts Pitch Straight Type Socket Double Rows
--------------------	--	--------------------	---	--------------------	---	--------------------	--

6901R-XXX-XXG-XXXX	6903R-XXX-XXG-XXXX	6901SM-XXX-XXG-XXXX	6903SM-XXX-XXG-XXXX
			
RoHS Compliant	RoHS Compliant	RoHS Compliant	RoHS Compliant

6901R-XXX-XXG-XXXX	Special Length No. of Contacts Pitch R/A Type Plug Single Row	6903R-XXX-XXG-XXXX	Special Length No. of Contacts Pitch R/A Type Plug Double Rows	6901SM-XXX-XXG-XXXX	Special Length No. of Contacts Pitch SMT Type Plug Single Row	6903SM-XXX-XXG-XXXX	Special Length No. of Contacts Pitch SMT Type Plug Double Rows
--------------------	--	--------------------	---	---------------------	--	---------------------	---

SMT / Solder Type

UNIT : mm

6902SM-XXX-XXG-XXXX	6904SM-XXX-XXG-XXXX	6901SMR-XXX-XXG-XXXX	6901SD-XXX-XXG-XXXX
 <p style="text-align: center; color: green;">RoHS Compliant</p>	 <p style="text-align: center; color: green;">RoHS Compliant</p>	 <p style="text-align: center; color: green;">RoHS Compliant</p>	 <p style="text-align: center; color: green;">RoHS Compliant</p>
<p>6902SM-XXX-XXG-XXXX</p> <ul style="list-style-type: none"> Special Length No. of Contacts Pitch SMT Type Socket Single Row 	<p>6904SM-XXX-XXG-XXXX</p> <ul style="list-style-type: none"> Special Length No. of Contacts Pitch SMT Type Socket Double Rows 	<p>6901SMR-XXX-XXG-XXXX</p> <ul style="list-style-type: none"> Special Length No. of Contacts Pitch R/A SMT Type Plug Single Row 	<p>6901SD-XXX-XXG-XXXX</p> <ul style="list-style-type: none"> Special Length No. of Contacts Pitch Solder Type Plug Single Row

UNIT : mm

<p>7077-01</p>  <p>RoHS Compliant</p>	<p>7077-01B-TR</p>  <p>RoHS Compliant</p>	<p>7077-02B-TR</p>  <p>RoHS Compliant</p>
<p>7077-03B-TR</p>  <p>RoHS Compliant</p>	<p>7077-06B-TR</p>  <p>RoHS Compliant</p>	<p>RFCA-001</p>  <p>RoHS Compliant</p>
<p>RFCA-002</p>  <p>RoHS Compliant</p>	<p>RFCA-003</p>  <p>RoHS Compliant</p>	<p>RFCA-004</p>  <p>RoHS Compliant</p>
<p>RFCA-005</p>  <p>RoHS Compliant</p>	<p>FAKRA-001</p>  <p>RoHS Compliant</p>	<p>FAKRA-002</p>  <p>RoHS Compliant</p>
<p>BNC-001</p>  <p>RoHS Compliant</p>	<p>MCX-001</p>  <p>RoHS Compliant</p>	<p>MMCX-001</p>  <p>RoHS Compliant</p>




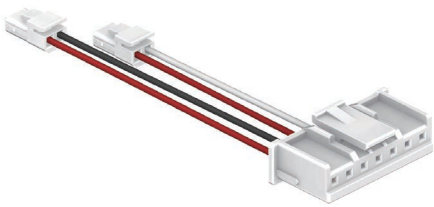


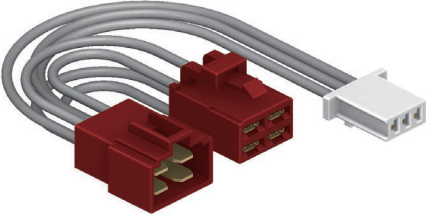


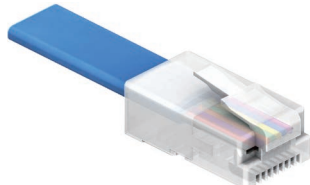
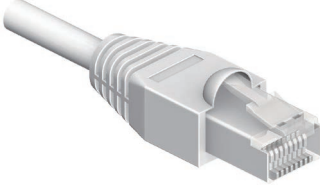



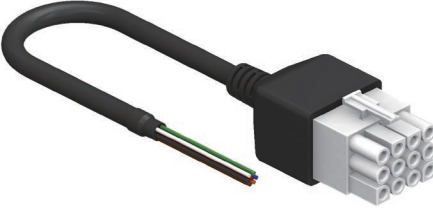
Cable Assembly Series

UNIT : mm

<p>DP-001</p>  <p>RoHS Compliant</p>	<p>DP-002</p>  <p>RoHS Compliant</p>	<p>FCA-001</p>  <p>RoHS Compliant</p>
<p>FCA-002</p>  <p>RoHS Compliant</p>	<p>FCA-003</p>  <p>RoHS Compliant</p>	<p>FCA-004</p>  <p>RoHS Compliant</p>
<p>FCA-005</p>  <p>RoHS Compliant</p>	<p>HCA-001</p>  <p>RoHS Compliant</p>	<p>HCA-002</p>  <p>RoHS Compliant</p>
<p>HCA-003</p>  <p>RoHS Compliant</p>	<p>HCA-004</p>  <p>RoHS Compliant</p>	<p>HCA-005</p>  <p>RoHS Compliant</p>
<p>HCA-006</p>  <p>RoHS Compliant</p>	<p>HCA-007</p>  <p>RoHS Compliant</p>	<p>HCA-008</p>  <p>RoHS Compliant</p>

Cable Assembly Series

UNIT : mm

<p>HCA-009</p>  <p>RoHS Compliant</p>	<p>HCA-010</p>  <p>RoHS Compliant</p>	<p>HCA-011</p>  <p>RoHS Compliant</p>
<p>HCA-012</p>  <p>RoHS Compliant</p>	<p>HCA-013</p>  <p>RoHS Compliant</p>	<p>HCA-014</p>  <p>RoHS Compliant</p>
<p>HCA-015</p>  <p>RoHS Compliant</p>	<p>MCM-001</p>  <p>RoHS Compliant</p>	<p>MCM-002</p>  <p>RoHS Compliant</p>
<p>RCM-005</p>  <p>RoHS Compliant</p>	<p>RCM-006</p>  <p>RoHS Compliant</p>	<p>RCM-007</p>  <p>RoHS Compliant</p>
<p>RCM-008</p>  <p>RoHS Compliant</p>	<p>RCM-009</p>  <p>RoHS Compliant</p>	<p>RCM-010</p>  <p>RoHS Compliant</p>

Cable Assembly Series

UNIT : mm

<p>RCM-011</p>  <p>RoHS Compliant</p>	<p>RCM-013</p>  <p>RoHS Compliant</p>	<p>RCM-014</p>  <p>RoHS Compliant</p>
<p>RCM-015</p>  <p>RoHS Compliant</p>	<p>RCM-016</p>  <p>RoHS Compliant</p>	<p>RCM-017</p>  <p>RoHS Compliant</p>
<p>RCM-018</p>  <p>RoHS Compliant</p>	<p>RCM-019</p>  <p>RoHS Compliant</p>	<p>WPM-001</p>  <p>RoHS Compliant</p>
<p>RFCA-001</p>  <p>RoHS Compliant</p>	<p>RCA-001</p>  <p>RoHS Compliant</p>	<p>RCA-002</p>  <p>RoHS Compliant</p>
<p>RCA-003</p>  <p>RoHS Compliant</p>	<p>RCA-004</p>  <p>RoHS Compliant</p>	<p>RCA-005</p>  <p>RoHS Compliant</p>

INDEX 1

Part No.	Page	Part No.	Page	Part No.	Page
120505-XXP-FA-PB	14	120512-XXP-FX-PMX	17	1227R-XXX	104
120505-XXP-FA-PBS	14	120512-XXP-RX-PMX	18	1227SM-XX-30	104
120505-XXP-FA-PM	14	120512-XXP-X04-AC	19	1227SM-XX-40	104
120505-XXP-RA-PM	14	120512-XXP-X04-AS	20	1227S-XXX	104
120505-XXS-FA-PB8	14	120512-XXP-X-AE4	19	1250HM2-XX-LK	75
120505-XXS-FA-PBS8	14	120512-XXP-X-AS	19	1250HM-XX	75
120505-XXS-FA-PM8	14	120512-XXS-A-PB15	19	1251RM-XX	75
120505-XXS-RA-PM	14	120512-XXS-FX-PBSX	17	1251R-XX-SM1	75
120508-03S-A-PB15-TR	17	120512-XXS-FX-PBX	17	1251R-XX-SM2-LK	75
120508-04S-A-PB15-TR	17	120512-XXS-FX-PMX	18	1251SM-XX	75
120508-05S-B-PB15-TR	17	120512-XXS-RX-PMX	18	1251S-XX-SM1	75
120508R-XXP-A-AC	16	120512-XXS-X04-AC	20	1251S-XX-SM2-LK	75
120508R-XXP-FX-PBS	15	120512-XXS-X04-AS	20	1252H-XX	76
120508R-XXS-A-AC	16	120512-XXS-X-AE4	19	1253H-XX	76
120508R-XXS-FX-PBS	15	120512-XXS-X-AS	19	1253R-XX-SM	76
120508-XXP-A-AC	16	120512-XXS-X-SM30-TR	19	1254HB-XX	76
120508-XXP-FX-PB	15	120516-XXP-FA-PB9	21	1254SMB-XX	76
120508-XXP-FX-PM	15	120516-XXP-FA-PM3	21	1255H-XX	76
120508-XXP-RX-PM	15	120516-XXS-FA-PM3	21	1255R-XX-SM	76
120508-XXP-X-MM	16	120520-XXP-RA-PM	21	1310H-XX	80
120508-XXS-A-AC	16	120620-XXP-FA02-PM	21	1311H-XX	85
120508-XXS-FX-PB4	15	120620-XXS-FA02-MM	21	1320H-XX	93
120508-XXS-FX-PM4	15	1210H-XX	74	1500H-XX	77
120508-XXS-RX-PM	15	1210R-XXG-SM-XX	74	1500H-XX-LK	77
120508-XXS-X-MM	16	1223-XX-01X-H29	104	1500R-XX	77
120512-08P-X-AC	20	1223-XX-02-H29	104	1500R-XX-LK-SM	77
120512-08P-X-MMS	20	1223-XX-03-H29	104	1500R-XX-SM	77
120512-08S-FX-PBSX	18	1224R1-XXX	103	1500S-XX	76
120512-08S-FX-PMSX	18	1224S1-XXX	103	1500S-XX-LK-SM	77
120512R-08S-FX-PBS	18	1224SM1-XX-30	103	1500S-XX-SM	77
120512R-XXP-FX-PB	18	1224SM1-XX-40-XX	103	1504R-XX-SM	77
120512R-XXS-FX-PB	18	1226-XX-01X	103	1600HB-XX	74
120512R-XXS-X-AE	19	1226-XX-02	103	1600H-XX	73
120512-XXP-FX-PBSX	17	1226-XX-03	103	1600H-XX-LK	74
120512-XXP-FX-PBX	17	1226-XX-10-H28-TR	103	1600RMB-XX	74

INDEX 2

Part No.	Page	Part No.	Page	Part No.	Page
1600R-XX-SM	73	2001S-XXG-750-020	5	2016R-XXG-A	64
1600R-XX-SM-LK	73	2004P-XXG-A114	1	2016SM-XXG	64
1600SMB-XX-01	74	2004P-XXG-H09	1	2016SM-XXG-A	64
1600S-XX-SM	73	2004S-XXG-A145	1	2016S-XXG	63
1600S-XX-SM-LK	73	2004S-XXG-A245	1	2016S-XXG-A	64
1603H-XX	74	2004S-XXG-A295	2	2017R-XXG-01A	65
1603R-XX-SM	74	2004S-XXG-A345	2	2017R-XXG-XX	64
1700H-XX	73	2004S-XXG-H09	1	2017SM-XXG-01A	65
1700R-XX-SM	73	2005P-XXG-335	8	2017SM-XXG-XX	65
1700S-XX-SM	73	2005P-XXG-359	9	2017S-XXG-01A	65
1778MC-XX-XX	108	2005P-XXG-396	9	2017S-XXG-XX	64
1778MC-XX-XX-114	108	2005P-XXG-435	8	2018P-XX	98
1778P-XXX	106	2005P-XXG-446	9	2018R-XX	98
1778P-XXX-XX	108	2005P-XXG-485	8	2026A-XX	80
1778S-XX	106	2005P-XXG-496	9	2026B-XX	80
1999PDI-XXG-H15-XXXX	47	2005P-XXG-545	10	2039SM-XXT-XXXXAPR	47
1999P-XXG-H15-XXXX	47	2005P-XXG-645	10	2063P-XXG-245	5
1999SDI-XXG-935	47	2005P-XXG-696	10	2063P-XXSG-390020APG	6
1999SDI-XXG-XX	47	2005S-XXG-328	9	2063S-XXG-232	5
1999S-XXG-635	47	2005S-XXG-335	8	2063S-XXSG300020AHEM	6
2000P-XXG-120	5	2006H-XX	96	2105XX	39
2000P-XXG-240-020	2	2006W-XX	96	2114H-XX	92
2000P-XXG-290-020	2	2007H-XX	96	2114RR-XX-XX	92
2000P-XXG-390-020	3	2007W-XX	96	2114R-XX-XX	92
2000P-XXG-440-020	3	2010-XXG-355	6	2114S-XX-XX	92
2001S-XXG-126	5	2010-XXG-405	6	2127P-XXG-SM-675-CR	11
2001S-XXG-176	5	2011R-XXG-470-PC	7	2127P-XXG-SM-825-CR	11
2001S-XXG-220-020	2	2011-XXG-365	6	2127P-XXG-SM-985-CR	11
2001S-XXG-270-020	3	2011-XXG-415	6	2127P-XXG-SMR-TR	10
2001S-XXG-300-020	3	2011-XXG-515	7	2127S-XXG-SM-1365-CR	12
2001S-XXG-320-020	3	2011-XXG-565	7	2127S-XXG-SM-625-CR	11
2001S-XXG-350-020	4	201608SM-XXG-2230	64	2127S-XXG-SM-905-CR	11
2001S-XXG-450-020	4	201608-XXG-2705	64	2127S-XXG-SMR-TR	10
2001S-XXG-550-020	4	2016RR-XXG	63	2191SMDI-XXG-XXXX	37
2001S-XXG-650-020	4	2016R-XXG	63	2191SM-XXG-XXXX	37

INDEX 3

Part No.	Page	Part No.	Page	Part No.	Page
2192SM4-XXG	37	2203SDI-XXG-935	46	2208SMDI-XXG-XXXX-XX	44
2195R-XXG-X	62	2203SDI-XXG-XX	47	2208SM-XXG-XXXX-XX	44
2195SM-XXG-X	62	2203S-XXG-635	46	2208S-XXG-XXXX	43
2195S-XXG-X	62	2204R-XXG	46	2209R-XXG	42
2196R-XXG	62	2204S-XXG	46	2209SDI-XXG-935	43
2196SM-XXG	62	2205XX	45	2209SDI-XXG-XX	43
2196S-XXG	62	2206PADI-XXG-SM-BX-XXXX	40	2209SM-XXG-356-BX	42
219899-XXG-960	62	2206PADI-XXG-XXXXXX	40	2209SM-XXG-635-BX	43
2198R-XXG-AX	63	2206PA-XXG-739	40	2209SM-XXG-BX	42
2198SM-XXG-XX	63	2206PA-XXG-SM-BX-XXXX	40	2209S-XXG-635	42
2198S-XXG-AX-XX	62	2206PBDI-XXG-SM-XXXX-XX	41	2209S-XXG-935	43
2199RA-XXG-XXXXXX	37	2206PBDI-XXG-XXXXXX	40	2209S-XXG-XX	42
2199RB-XXG-SM-XXXX	39	2206PB-XXG-739	40	2210DI-XXG-2230AAL	42
2199RX-XXG-XXXXXX	38	2206PB-XXG-SM-XXXX-XX	41	2210DI-XXG-XXXX	41
2199SADI-XXG-XXXXXX	37	2206RPA-XXG-XX	40	2210R-XXG-XXXXXX	41
2199SA-XXG-SM-BX	37	2206RPB-XXG-XXXXXX	41	2210SMDI-XXG-BX-XXXX	42
2199SA-XXG-XXXXXX	37	2206SA-XXG-XX	40	2210SM-XXG-BX	42
2199SBDI-XXG-SM-XXXX-XX	39	2206SB-XXG-SM-60-XX	41	2210S-XXG-XXXX	41
2199SBDI-XXG-XXXXXX	38	2206SB-XX-XX	41	2211DI-XXG-XXXX	50
2199SB-XXG-SM-XXXX-XX	38	2207BR-XXG-XX	44	2211PFS-XXG	59
2199SB-XXG-XXXXXX	38	2207R-XXG	44	2211PFS-XXT-A	59
2200BR-XXG-XX	39	2207SDI-XXG-935	45	2211R-XXG	50
2200RA-XXG-43	38	2207SDI-XXG-XX	45	2211R-XXG-LP	50
2200SA-XXG-34	38	2207SM-XXG-356	45	2211R-XXG-SM	50
2200SA-XXG-SM-34-BX	38	2207SM-XXG-45-XX	45	2211SMDI-XXG-BX-XXXX	50
2200SA-XXG-SMX-BX	38	2207SM-XXG-635	45	2211SM-XXG-BX	50
2200SA-XXG-XX	37	2207S-XXG	44	2211S-XXG	50
2200SB-XXG-SM-23-XX	39	2207S-XXG-635	45	2211S-XXG-XXXXH20	50
2200SB-XXG-SM-XX-XX	39	2207S-XXG-935	45	2212111-XXG-XX	52
2200SB-XXG-XX	39	2207TB-XXG-SM-24	44	2212BR-XXG-XX	53
2200TB-XXG-SM-23-XX	39	2208DI-XXG-2230AAL	44	2212PFS-XXG	59
2203PDI-XXG-H15-XXXX	46	2208DI-XXG-XXXX	43	2212PFS-XXG-A	60
2203P-XXG-H15-XXXX	46	2208R-XXG-A60632-XX	44	2212R-XXG-XX	52
2203R-XXG	46	2208R-XXG-SM	43	2212SM-XXG-50-BX	52
2203R-XXG-635	46	2208R-XXG-XXXXXX	43	2212SM-XXG-75-BX	52

INDEX 4

Part No.	Page	Part No.	Page	Part No.	Page
2212SM-XXG-85-BX	52	2214SM-XXG-75-XX	54	2219S-XX-XX	92
2212SM-XXG-85-BX-SJ	52	2214SM-XXG-85	55	2220H-XX	93
2212S-XXG-110	51	2214SM-XXG-85-SJ	55	2224BE-XX	58
2212S-XXG-115	51	2214S-XXG-110	53	2224R-XX	58
2212S-XXG-36	51	2214S-XXG-115	54	2224S-XX	58
2212S-XXG-50	51	2214S-XXG-36	53	2226A-XX	88
2212S-XXG-57	51	2214S-XXG-50	53	2226B-XX	88
2212S-XXG-72	51	2214S-XXG-57	53	2227MC-XXWR-XX	109
2212S-XXG-85	51	2214S-XXG-72	53	2227MC-XX-XX	108
2212S-XXG-85-SJ	51	2214S-XXG-85	53	2227MC-XX-XX-110	109
2212TB-XXG-85-XX	52	2214S-XXG-85-SJ	53	2227MC-XX-XX-114	109
2212TB-XXG-BX	52	2214TB-XXG-85-XX	54	2227MC-XX-XX-150	109
2213DI-XXG-XXXX	55	2214TB-XXG-XX	54	2227P-XXX-XX	108
2213MS-XXX-BK-XXXX-F5	36	2215R-XXG	56	2228XG-XX	58
2213PFR-XXT-A	36	2215S-XXG	56	2233DI-XXG-3250AL	57
2213PFS-XXG	59	2216PFS-XXG-XX	61	2233DI-XXG-XXXX	57
2213PFS-XXT-A	59	2216RB-XXSG-02X	66	2233PFS-XXG	59
2213PFS-XXX-XXXXF2	36	2216R-XXG-XX	66	2233R-XXG	57
2213RUDI-XXG-XXXX	56	2216SM-XXG-XX	66	2233S-XXG	57
2213R-XXG	55	2216S-XXG-XX	66	2234PFS-XXG	59
2213R-XXG-SM-6076AXX	56	2217R1-XXX	87	2234R-XXG-85	57
2213R-XXXX-SM-PR-001	56	2217R1-XXX-SM	87	2234S-XXG-85	57
2213R-XXXX-SM-PR-002	56	2217R2-XXX	88	2244S-XXG-85	57
2213SMDI-XXG-XX-XXXX	56	2217R-XX-WH2	87	2245S-XXG-63	57
2213SM-XXG-XXXX	56	2217S1K-XXX-SM-BX	87	2257A-XX	93
2213S-XXG	55	2217S1-XXX	87	2257-XX	93
2213S-XXG-XXXXH20	55	2217S1-XXX-AX	87	2259A-XX-XX	99
2214113-XXG-XX	55	2217S2K-XX-SM-XX	88	2259-XX-XX	99
2214BR-XXG-XX	55	2217S2K-XX-XX	88	2266SA-XX-XX	93
2214PFS-XXG	59	2217S-XX-WH2	87	2266S-XX-M	94
2214PFS-XXG-A	60	2218H1A-XX	88	2266S-XX-XX	93
2214R-XXG-85-SM-XX	54	2218H2A-XX	88	2269RA-XX-XX-XX	93
2214R-XXG-XX	54	2218HE-XX	86	2269R-XX-BMI	94
2214SM-XXG-37D-XX	54	2218H-XX-WH2	87	2269R-XX-XX-XX	94
2214SM-XXG-50	54	2219R-XX-XX	92	2269SA-XX-XX	93

INDEX 5

Part No.	Page	Part No.	Page	Part No.	Page
2269S-XX-XX	94	2318HB-XX	81	2414SM-XXG-85	49
2301PFR-XXT-A	36	2318HD-XX	83	2414S-XXG-85	49
2302S-XXT-XXXX-W62	47	2318HEH-XX	82	2417RJ2-XX	80
2315R-X-XXT	67	2318HF1-XX-WH	84	2417RJ-XX	78
2315S-X-XXT	67	2318HF-XX	83	2417RJ-XX-SM2-02	78
2316113SM-XXG-1300	66	2318HHZ-XX	81	2417RZ2-XX	79
2316113-XXG-1500	65	2318HJ-XX	83	2417RZ-XXT-PG	78
2316PFS-XXG-XX	61	2318HM-XX	84	2417RZ-XXX-SM-CR	79
2316R-XXG	65	2318HZ2-XX	85	2417SE-XX	79
2316R-XXG-XX	66	2318HZ-XX	84	2417SJ2-XX	80
2316SM-XXG-XX	65	2351PFS-XXT-A	60	2417SJ-XX	78
2316S-XXG-XX	65	2352PFS-XXG-A	60	2417SJ-XX-SM1-02	78
2317RB-XX	81	2353PFS-XXG-A	60	2417SJ-XX-SM2	78
2317RC-10T-BK-TB	81	2353PFS-XXT-A	60	2417SM1-XX	80
2317RD-XX	83	2355PFR-XXT-A	36	2417SZ2-XX	79
2317REH-XX	82	2363P-XXA-01	101	2417SZ-XXT-XX	78
2317RF-XX	83	2363R-XXA	101	2417SZ-XXX-SM-CR	79
2317RHZ-XX	81	2401PFS-XXT-A	60	2418HE-XX	79
2317RJ-XX	82	2402PFS-XXG-A	61	2418HJ2-XX	80
2317RJ-XX-K0	82	2403PFS-XXT-A	60	2418HJ-XX	78
2317RJ-XX-SMA	82	2404PFS-XXG-A	61	2418HZ2-XX	79
2317RM-XX	84	2411DI-XXG-XXXX	48	2418HZ-XX	79
2317RZ-XX	84	2411R-XXG	48	2516R-XXG	63
2317SB-XX	81	2411SMDI-XXG-BX	48	2516SM-XXG	63
2317SD-XX	83	2411SM-XXG-BX	48	2516S-XXG	63
2317SEH-XX	81	2411S-XXG	48	2650P-XX	100
2317SF1-XX-WH	83	2412R-XXG-85	48	2650R-XX	100
2317SF-XX	83	2412SM-XXG-85-BX	48	3512R-08T-PG	35
2317SHZ-XX	81	2412S-XXG-85	48	3750HP-XX	98
2317SJ-XX	82	2413DI-XXG-XXXX	49	3750H-XX	89
2317SJ-XX-K0	82	2413R-XXG	49	3750R-XX	89
2317SJ-XX-SMA	82	2413SMDI-XXG-XXXX	49	3750R-XXX-PG-F5	89
2317SM-XX	84	2413SM-XXG	49	3750R-XXX-SM-PG	89
2317SZ2-XX	84	2413S-XXG	49	3750S-XX	88
2317SZ-XX	84	2414R-XXG-85	49	3750S-XXX-SM	89

INDEX 6

Part No.	Page	Part No.	Page	Part No.	Page
3750X-XX	89	4411R-XXT	68	5075MBR-05-SM6	31
3920-XX	99	4411SM-XXT	68	5075MBS-05-SM-01	31
3921-XX	99	4411S-XXT-XX	68	5077CAS-1404	29
41815BE-XX	58	4412-XX_X2	72	5077CP-02-02	29
41815R-XX	58	4412-XX-CK_X2	72	5077CP-24-02-02	29
41815S-XX	58	4412-XXSR-CK	68	5077CP-24-C5-BK	29
4400-XX-CK_X2	72	4412-XXSR-CK_X2	72	5077CP-24-C8-BK	29
4400-XX-CK-A	68	5005E-XX	99	5077CR-04-SMEA-BK-WP-TR	27
4400-XXSR-CK	68	5006E-XX	99	5077CR-06-SM-BK-TR	27
4400-XXSR-CK_X2	72	5075ABMR-05-SM	31	5077CR-06-SMEB-BK-WP-TR	27
4401-XXSRA-XX-XX	70	5075ABMR-05-SM1	31	5077CR-14-SM-BK-TR	27
4401-XXSR-XX	70	5075AR-04A-XX	30	5077CR-16-SMA2-BK-TR	27
4401-XXSR-XX_X2	72	5075AR-04-SM-XX	30	5077CR-16-SM-BK-TR	27
4401-XX-XX_X2	72	5075AR-04-SM1-XX	30	5077CR-16-SMC2A-BK-TR	27
4401-XX-XX-01_X2	72	5075AR-04-XX	30	5077CR-16-SMC2B-BK-TR	27
4402-XX_X2	72	5075AR-08B-XX	30	5077CR-16-SMC2-BK-TR	27
4402-XXSR	70	5075ARP-04	30	5077CR-16-SMEA-BK-WP-TR	27
4402-XXSR_X2	72	5075ARP-04-SM1	30	5077CR-16-SMM1-BK-TR	27
4402-XXSR-XX-XX-SJ	70	5075ARP-04-SM2-XX	30	5077CR-16-SMM2-BK-TR	27
4403-XX-LP-XX	70	5075ARP-04-SM5	30	5077CR-16-SMM3-BK-TR	27
4404A-XX	70	5075ARRP-04	30	5077CR-16-SMM3-XX-TR	27
4406-XXSR-01	70	5075ARRP-04-SM1	30	5077CR-16-SMS43-BK-TR	27
4407-XX-01-SE	71	5075AS-04-XX	30	5077CR-16-SMS-BK-WP-TR	27
4408-XX	68	5075AS-08-XX	30	5077CR-24-SM1-BK-TR	28
4409AP-XX-XX	69	5075AUR-04-XX	30	5077CR-24-SMA3-BK-TR	28
4409AR-XX-A-XX	69	5075AUR-04-XX-PGA	30	5077CR-24-SMB1-BK-TR	28
4409AR-XX-XX	69	5075BMR-05	31	5077CR-24-SM-BK-TR	28
4409AS-XX-A-XX	69	5075BMR-05B	31	5077CR-24-SMC12-BK-WP-TR	28
4409AS-XX-XX	69	5075BMR-05D	31	5077CR-24-SMC3-BK-TR	28
4409SM-XX-A-XX	69	5075BMR-05-SM	31	5077CR-24-SMC4-BK-TR	28
4409SM-XX-XX	69	5075BMR-05-SM1	31	5077CR-24-SMC6-BK-TR	28
4409-XX-XX	69	5075BR-04-XX	31	5077CR-24-SMC7-BK-TR	28
4409-XX-XX_X2	72	5075BS-04-SM-XX	31	5077CR-24-SMEA-BK-TR	28
4411HM-XX	68	5075BS-04-XX-K0	30	5077CR-24-SMM4-BK-TR	28
4411H-XXT_X2	72	5075MABR-05-SM1	31	5077CR-24-SMM9-BK-TR	28

INDEX 7

Part No.	Page	Part No.	Page	Part No.	Page
5077CR-24-SMMA-BK-TR	28	5553SA-XXX-SM	89	6850S-XXX	105
5077CR-24-SMMC-BK-TR	28	5553S-XXX	90	6851R-XX	106
5077CR-24-SMS40X-30-BK-TR	28	5553S-XXX-SM	90	6851R-XX-SM	106
5077CR-24-SMZX-BK-TR	28	5560A-XX	90	6851SM-XX	106
5077CS-24-C1-BK	29	5560-XX	91	6851S-XX	105
5077CS-24-C2-BK	29	5561A-XX-01	98	6852S1-XXX	106
5077CS-24-C4-BK	29	5561RA-XX-XX	91	6853S1-XX	106
5077CS-24-C6-BK	29	5561R-XX-XX	91	6860R-XXX-SM	105
5077CS-24-SMC1-BK-CR	29	5561SA-XX-XX	90	6860S-XXX	105
5077CS-24-SMC2-BK	29	5561S-XX-XX	91	6861R-XX-SM	105
5077CS-24-SMC2-BK-CR	29	5561-XX	98	6861S-XX	105
5077CUR-14-BK	29	5562A-XX	91	6901DS-XXX-XXG-XXXX	110
5118H-XXSR	71	5562-XX	92	6901G-DS-XXXX	110
5198H-XX	94	5563RA-XXMT-XX	91	6901G-SD-XXXX	110
5198R-XX-XX-XX	94	5563R-XXMT-XX	92	6901G-SM-XXXX	110
5198S-XX-XX-XX	94	5563SA-XXMT-XX	91	6901G-TH-XXXX	110
5289H-XX-XXX	96	5563S-XXMT-XX	91	6901MS-02G	35
5289R-XX-XX-XX	96	5580A-XX	95	6901R-XXX-XXG-XXXX	110
5289S-XX-XX-XX	96	5580-XX	95	6901SD-XXX-XXG-XXXX	111
5517ATP-24SG30-151	36	5581RA-XXX-XX	95	6901SMR-XXX-XXG-XXXX	111
5550A-XX-XX	86	5581R-XXMT-PG	95	6901SM-XXX-XXG-XXXX	110
5550-XX-XX	85	5581SA-XXX-XX	95	6901S-XXX-XXG-XXXX	110
5551RA-XXX-SM-XX	86	5581S-XXMT-PG	95	6902MS-02G	36
5551RA-XXX-XX	86	6604PB-XXX-121	107	6902R-XXX-XXG-XXXX	110
5551R-XXX-SM-XX	85	6604P-XXX-121	107	6902SM-XXX-XXG-XXXX	111
5551R-XXX-XX	85	6604SB-XX	107	6902S-XXX-XXG-XXXX	110
5551SA-XXX-SM-XX	86	6604S-XX	107	6903DS-XXX-XXG-XXXX	110
5551SA-XXX-XX	85	6801S-XX-70	107	6903R-XXX-XXG-XXXX	110
5551S-XXX-SM-XX	85	6803S-XX-70	108	6903SM-XXX-XXG-XXXX	110
5551S-XXX-XX	85	6830S-XXX	106	6903S-XXX-XXG-XXXX	110
5552HA-XX	90	6831S-XX-KK	107	6904R-XXX-XXG-XXXX	110
5552H-XX	90	6832S-XXX	107	6904SM-XXX-XXG-XXXX	111
5553RA-XXX	90	6833S-XX	107	6904S-XXX-XXG-XXXX	110
5553R-XXX	90	6850R-XXX	105	6905S-09G-2275	36
5553SA-XXX	89	6850R-XXX-SM	105	7077-01	112

INDEX 8

Part No.	Page	Part No.	Page	Part No.	Page
7077-01B-TR	112	9682H-03-BK-XX	98	FCA-3750GXXX2-XXX	102
7077-02B-TR	112	9871S-30G	36	FCA-4409HPXXX2-XXX	102
7077-03B-TR	112	9883S-04N	35	HCA-001	113
7077-06B-TR	112	9973MRT	35	HCA-002	113
7801R-XX-70	108	9976MRT	35	HCA-003	113
7803R-XX-70	108	9977M-05G	35	HCA-004	113
801-5075ARP-04-SM2	35	9978M-XXX	35	HCA-005	113
801-5075MMR-08A2	35	9979M-XXX	35	HCA-006	113
801-5077CR-24-SM1-01	35	9980M-XXX	35	HCA-007	113
801-5077CR-24-SM1-02	35	9981MRT	35	HCA-008	113
801-5077CR-24-SM1-03	35	9982M-XXX	35	HCA-009	114
801-5077CS-24-SMC1-XX	35	9983M-XXX	35	HCA-010	114
801-5522P-07G30-MD	35	ADM-001	32	HCA-011	114
805-120508PXX	16	ADM-002	32	HCA-012	114
805-120508SXX	16	ADM-003	32	HCA-013	114
805-120512PXX	20	BNC-001	112	HCA-014	114
805-120512SXX	20	DP-001	113	HCA-015	114
8920H-XX	97	DP-002	113	ICA-501-008	36
8920R-XXT-X	97	FAKRA-001	112	MCA08-XXPFX	25
8920S-XXT-X	97	FAKRA-002	112	MCA08-XXPRX	25
8980-04-IDC	100	FCA-001	113	MCA08-XXSFX4	25
8980H-04	95	FCA-002	113	MCA08-XXSRX	25
8981H-04	100	FCA-003	113	MCA12-08SFXX	26
8981R-04	95	FCA-004	113	MCA12-XXPFXX	25
8981S-04	94	FCA-005	113	MCA12-XXPRXX	26
8982H-XX	86	FCA-2218HXXX2-XXX	102	MCA12-XXSFXX	25
8982R-XX-BK	86	FCA-2226AXXX2-XXX	102	MCA12-XXSRXX	26
8982S-XX-BK	86	FCA-2226BHXXX2-XXX	102	MCA16-XXPFAX	26
9200P-XX	100	FCA-2226BXXX2-XXX	102	MCA16-XXSFAX	26
9200RE-XX	100	FCA-2318HBXXX2-XXX	102	MCA20-XXPRA	26
9222R-02	35	FCA-2318HDXXX2-XXX	102	MCM-001	114
9635P-XX-XX	100	FCA-2318HJXXX2-XXX	102	MCM-002	114
9635R-XX-XX	100	FCA-2318HMXXX2-XXX	102	MCM05-XXPAR	22
9635S-XX-XX-XX	96	FCA-2318HZXXX2-XXX	102	MCM05-XXPAS	22
9668-12T-BK-TB	80	FCA-2418HJXXX2-XXX	102	MCM05-XXPASS	22

INDEX 9

Part No.	Page	Part No.	Page	Part No.	Page
MCM05-XXSAR	22	RCM-008	114	USBA-025	34
MCM05-XXSAS	22	RCM-009	114	USBC-001	32
MCM05-XXSASS	22	RCM-010	114	USBC-003	32
MCM-06PR-5A	25	RCM-011	115	USBC-004	32
MCM-06SR-5A	25	RCM-013	115	USBC-005	32
MCM08-XXPXR	23	RCM-014	115	USBC-006	32
MCM08-XXPXRS	23	RCM-015	115	USBC-007	32
MCM08-XXPXS	22	RCM-016	115	USBC-008	32
MCM08-XXPXSS	23	RCM-017	115	USBC-009	32
MCM08-XXSXR	23	RCM-018	115	USBC-010	32
MCM08-XXSXRS	23	RCM-019	115	USBC-011	32
MCM08-XXSXS	22	RFCA-001	112	USBC-012	32
MCM08-XXSXSS	23	RFCA-002	112	WPM-001	115
MCM12-08PXSS	24	RFCA-003	112		
MCM12-XXPXR	24	RFCA-004	112		
MCM12-XXPXS	23	RFCA-005	112		
MCM12-XXSPXSY	24	USBA-001	32		
MCM12-XXSXR	24	USBA-002	33		
MCM12-XXSXS	23	USBA-004	33		
MCM12-XXX-ADA	21	USBA-006	33		
MCM12-XXX-GCY	20	USBA-007	33		
MCM16-XXPAS	24	USBA-008	33		
MCM16-XXSAS	24	USBA-009	33		
MCM20-XXSAS	24	USBA-010	33		
MCM20-XXXA-GCT	21	USBA-011	33		
MCX-001	112	USBA-012	33		
MMCX-001	112	USBA-013	33		
RCA-001	115	USBA-014	33		
RCA-002	115	USBA-015	33		
RCA-003	115	USBA-016	33		
RCA-004	115	USBA-018	33		
RCA-005	115	USBA-019	33		
RCM-005	114	USBA-020	34		
RCM-006	114	USBA-023	34		
RCM-007	114	USBA-024	34		

Taiwan Head Office

2F., No. 184, Sec. 4, Chengde Rd., Shilin Dist., Taipei City 111, Taiwan

台北市士林區承德路四段184號2樓

Tel : +886-2-28802631 / +886-2-28819094

Fax : +886-2-28802710 / +886-2-28802888

E-mail : sales@neltron.com.tw

Taiwan Factory

No. 198-116, Sec. 2, Zhong'ai Rd., Guanyin Dist., Taoyuan City 328452, Taiwan

桃園市觀音區忠愛路二段198之116號

Tel : +886-3-4988866

Fax : +886-3-4981166

Hong Kong Sales Office

Room 2310, Peninsula Tower, 538 Castle Peak Road, Kowloon, Hong Kong

香港九龍長沙灣青山道538號半島大廈2310室

Tel : +852-2489-9612

Fax : +852-2489-9363

E-mail : sales@neltron.com.hk

China Factory

3/F, Xinaojia Intelligent Park, No. 20 Linchang Road, Pingshan, Tangxia Town,

Dongguan City, China

廣東省東莞市塘廈鎮平山林場路20號 鑫奧佳科園1棟301室

Tel : +86-769-8880-0169

E-mail : sales@neltron.com.hk

